

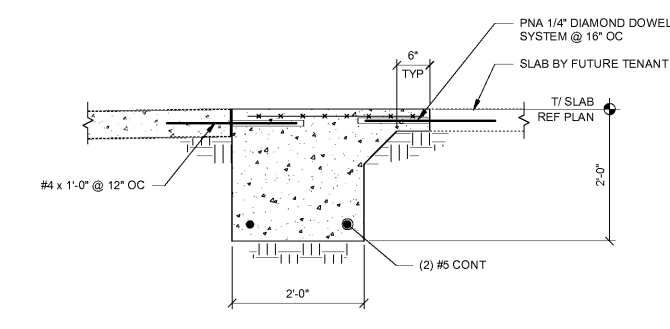


PROJECT: STARBUCKS SHELL BUILDING  
 350 BLOWING ROCK BOULEVARD  
 LENOIR, NC 28645  
 DRAWING: SECTIONS

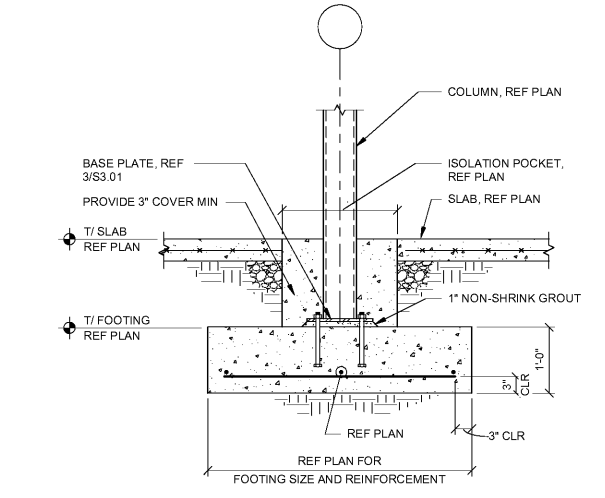
Revisions	
REVISION DATE	

PROJECT DATE  
 03/21/2019  
 Drawn By  
 ES  
 Checked By  
 SDH  
 Sheet No.

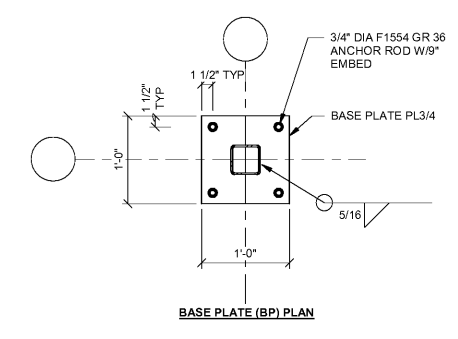
**S3.01**



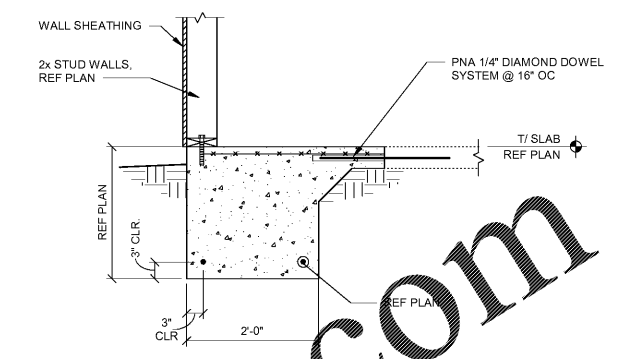
**1 SECTION**  
 3/4" = 1'-0"



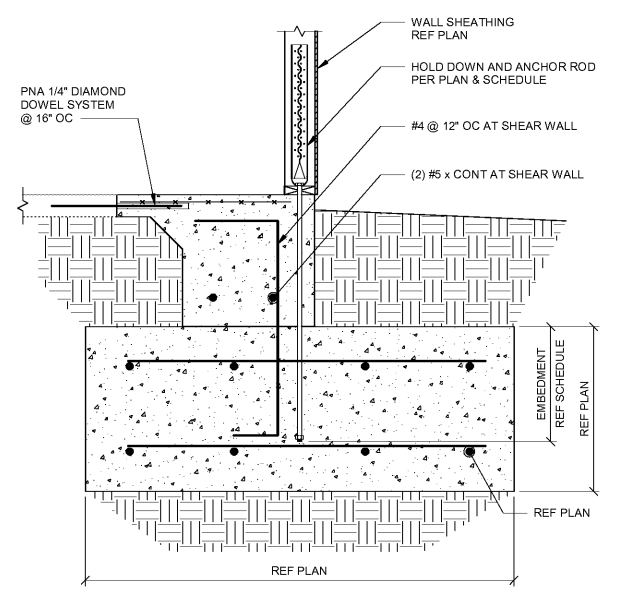
**2 COLUMN ON ISOLATED FOOTING**  
 3/4" = 1'-0"



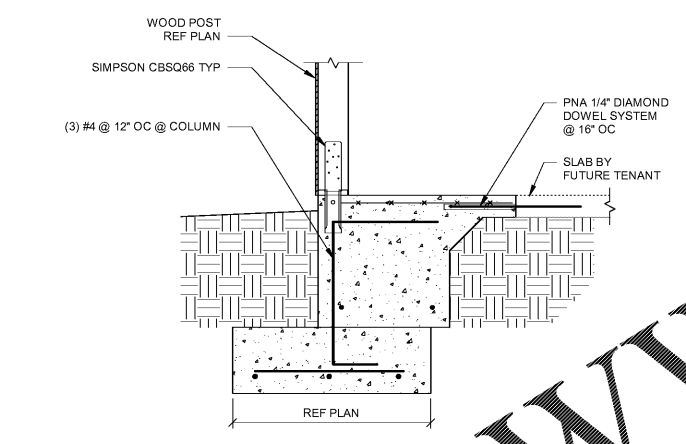
**3 BASE PLATE DETAIL**  
 1" = 1'-0"



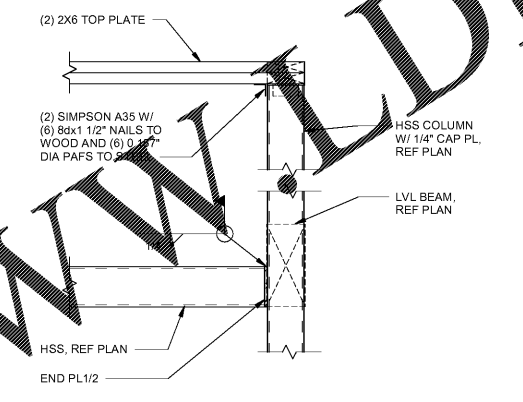
**4 SECTION**  
 3/4" = 1'-0"



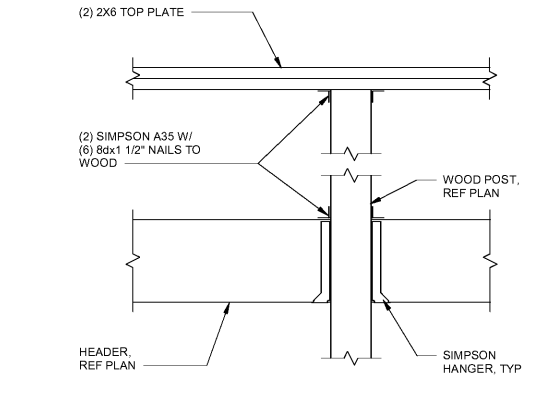
**5 SECTION**  
 3/4" = 1'-0"



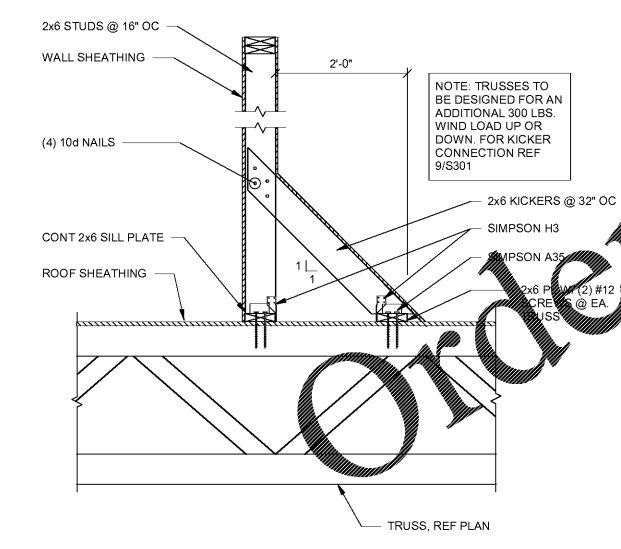
**6 SECTION**  
 3/4" = 1'-0"



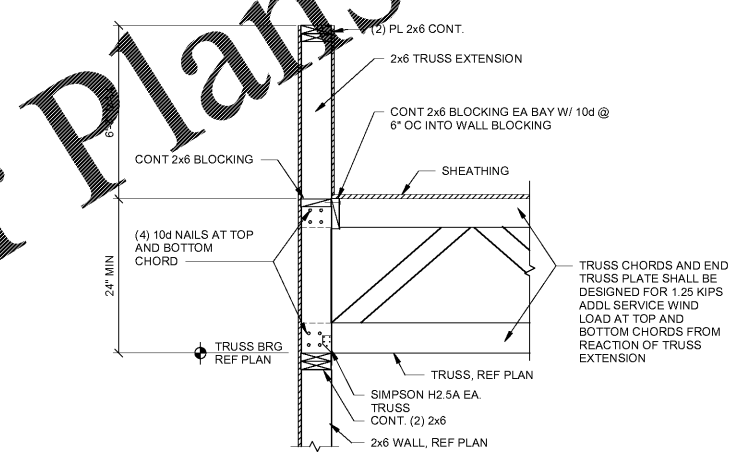
**7 SECTION**  
 1" = 1'-0"



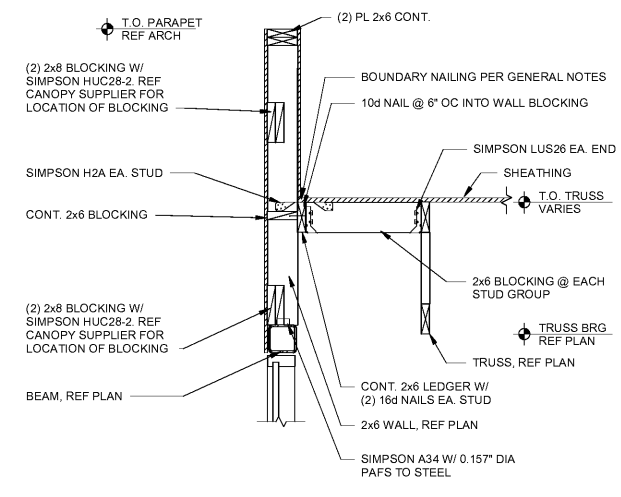
**8 SECTION**  
 1" = 1'-0"



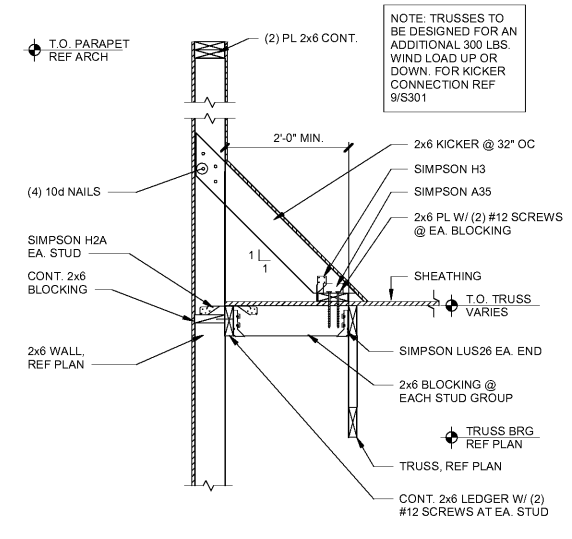
**9 SECTION**  
 3/4" = 1'-0"



**10 SECTION**  
 3/4" = 1'-0"



**11 SECTION**  
 3/4" = 1'-0"



**12 SECTION**  
 3/4" = 1'-0"

Order Plans @ WWW.DIline.com