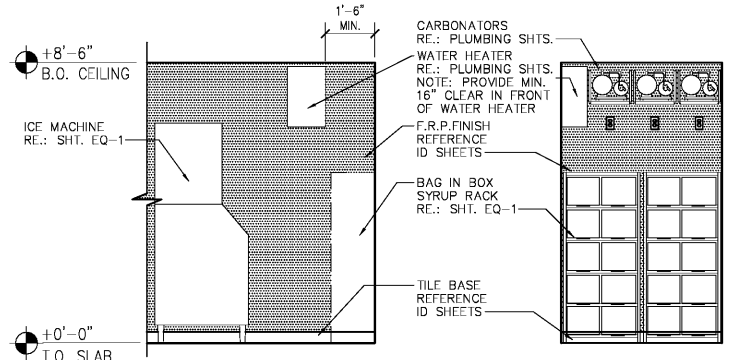
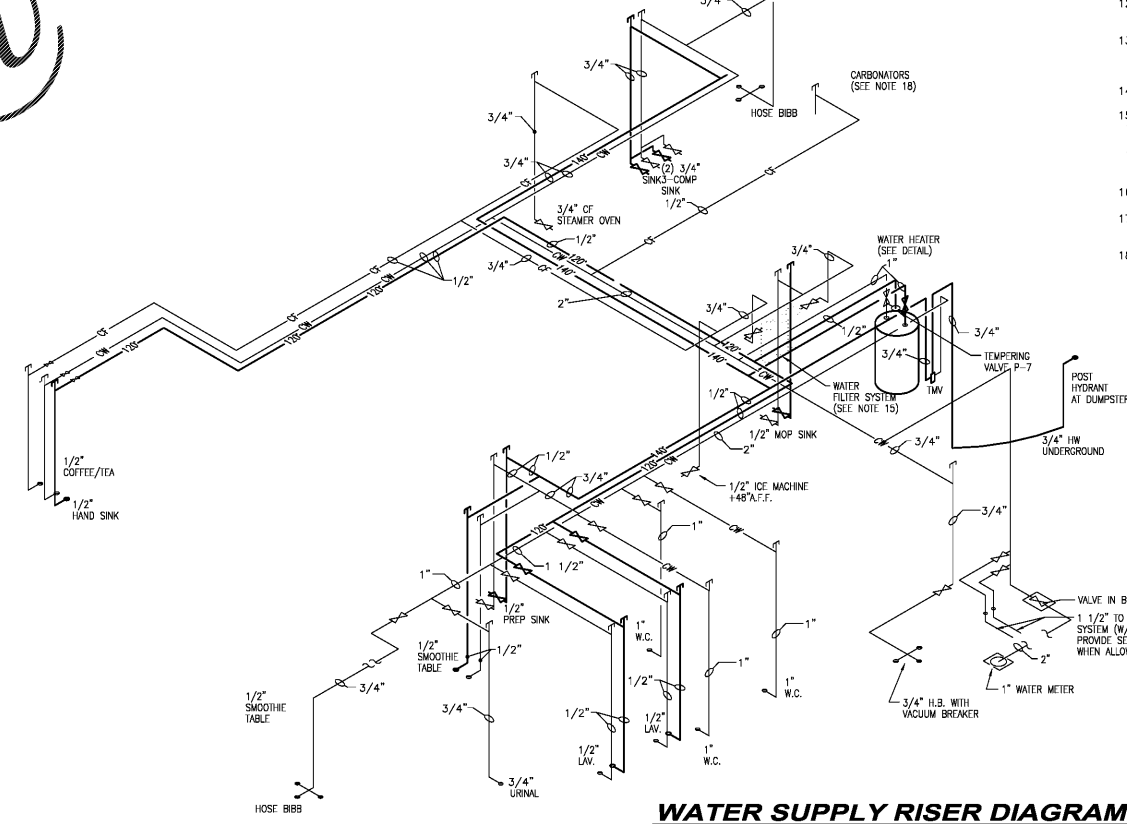


WATER PIPING PLAN
SCALE: 1/4" = 1'-0"



ELEVATION A
SCALE: 3/8" = 1'-0"

ELEVATION B
SCALE: 3/8" = 1'-0"



WATER SUPPLY RISER DIAGRAM

LEGEND

- L-ICF — LIME INHIBITED COLD WATER FILTER SYSTEM
- C — COLD WATER
- CF — COLD WATER FILTER SYSTEM
- — 120° — HOT WATER (120°)
- — 140° — HOT WATER (140°)
- ////// UNDERGROUND PIPING
- G — GAS PIPING
- G — GATE VALVE
- G — GAS SHUT-OFF VALVE
- ∇ — CHECK VALVE
- — HOSE BIBB W/ VACUUM BREAKER
- G — MECHANICAL GAS SHUT-OFF VALVE
- I — GLOBE VALVE

INSULATION SCHEDULE

ZONE	PIPE SIZE UNDER 1" DIA.	PIPE SIZE OVER 1" DIA.
A&B	4" THICK	3" THICK
C	3" THICK	2" THICK
D&E	3/4" THICK	1" THICK

- NOTES:**
- DO NOT SCALE DRAWINGS
 - GENERAL CONTRACTOR AND PLUMBING CONTRACTOR SHALL VERIFY GAS REQUIREMENTS OF THIS PROJECT BEFORE BIDDING AND PROCEEDING WITH WORK. SEE SHEET M-1 FOR GAS REQUIREMENTS OF A/C UNITS.
 - ALL HOT AND COLD WATER PIPING LOCATED ABOVE CEILING AREAS BUT BELOW ROOF INSULATION SHALL BE INSULATED WITH 3/4" FIBERGLASS LOW PRESSURE TYPE WITH DUAL TEMPERATURE JACKET. ALL HOT AND COLD WATER PIPING LOCATED OUTSIDE OF BUILDING INSULATION ENVELOPE SHALL BE INSULATED TO THICKNESS SPECIFIED IN INSULATION SCHEDULE SHOWN ON THIS SHEET. ALL UNDERGROUND PIPES LOCATED INSIDE BUILDING TO BE ENCASED IN FLEXIBLE POLYETHYLENE.
 - LOCATE COLD WATER PIPES IN TURRED OUT SPACES AT TOILET ROOMS (ZONES A AND B ONLY).
 - PROVIDE FROST PROOF HOSE BIBBS (ZONES A, B, C AND D)
 - PROVIDE SEPARATE SHUT-OFF VALVES FOR ALL EQUIPMENT AND PLUMBING FIXTURES REQUIRING WATER CONNECTIONS.
 - PROVIDE COUPLINGS TO ALL EQUIPMENT AS REQUIRED.
 - PLUMBING CONTRACTOR TO FURNISH AND INSTALL U.L. LISTED MECHANICAL GAS SHUT-OFF VALVES FOR FIRE PROTECTION SYSTEMS. VALVES CAN BE OBTAINED FROM THE FIRE PROTECTION SYSTEM SUPPLIER.
 - PROVIDE CATEGORY III STAINLESS STEEL VENT AS SPECIFIED BY MANUFACTURER. LAST PORTION OF PIPE SHALL EXTEND A MINIMUM OF 36" ABOVE ROOF SURFACE.
 - PROVIDE BACKFLOW PREVENTER ON COFFEE MAKERS, ICE MACHINE AND OTHER WATER LINES AS REQUIRED BY LOCAL CODES.
 - PROVIDE WOOD BLOCKING AS REQUIRED FOR FIXTURES AND PIPING. (REFERENCE SHEET A-1)
 - CONTRACTOR TO PROVIDE 3/4" DIAMETER HOT AND COLD WATER LINES AT TRASH ENCLOSURE WITH MIXING VALVE AT CAN WASH INSIDE OF BUILDING.
 - INSTANTANEOUS GAS WATER HEATER AS SPECIFIED ON SHEET P-1 IS NOT RECOMMENDED FOR USE IN EXTREMELY COLD CLIMATES (ZONE A) DUE TO ITS INABILITY TO PRODUCE LARGE QUANTITIES OF HOT WATER OR MAINTAIN WATER TEMPERATURES IN EXCESS OF 130°F.
 - FILTERED WATER AT THE VEGETABLE PREP SINK IS OPTIONAL. UNFILTERED COLD WATER MAY BE USED IN ITS PLACE.
 - APPROVED WATER FILTER SYSTEMS:
 - 15.1. EVERPURE MODEL #CB20312 OR SELECTO SCIENTIFIC WDE #MF20CC. NOTE: PROVIDE LIME INHIBITOR AS MAY BE REQUIRED.
 - 15.2. PLUMBING CONTRACTOR TO PROVIDE AND INSTALL WATER FILTER FOR FOUNTAIN DRINKS AT THE BAG-IN-BOX WALL. VERIFY FILTER REQUIREMENTS WITH COKE VENDOR.
 - CUTTING AND NOTCHING OF 2x4 BEARING WALL NOT TO EXCEED 7/8". BORED HOLES IN 2x4 BEARING WALLS NOT TO EXCEED 2-1/8". PE PIPING TO BE USED UNLESS NOT ALLOWED BY LOCAL CODES. TRANSITION TO COPPER PIPE IN WALLS AT FIXTURES AND PROVIDE COPPER STUBS THRU WALLS TO FIXTURES.
 - PLUMBING CONTRACTOR TO PROVIDE WATER FILTER FOR DRINK SYSTEM. COORDINATE REQUIREMENTS WITH THE EQUIPMENT SUPPLIER.

Order Plans @

WWW.LDLINE.COM

DRAWN BY: MRW
NO. DATE
03.26.19

CHECKED BY: ENH, MRW
REVISION
RELEASED FOR CONSTRUCTION

DATE: 03.26.19



PREMIER KINGS, INC.
5529 CARMICHAEL ROAD
MONTGOMERY, ALABAMA 36117
PHONE: (205) 322-1778
FAX: (205) 322-1778
email: info@pluhna.com
www.pluhna.com
LINDSEY@BKKALABAMA.COM

2126 Morris Avenue, Suite 100
Montgomery, AL 36117
Phone: (205) 322-1778
Fax: (205) 322-1778
email: info@pluhna.com
www.pluhna.com

james m. huckestein
architect, AIA

architecture • planning • interior design



PROJECT #1802624
RCC-60-TALL 20/20 IMAGE: NOVEMBER 2018 DESIGN RELEASE
BURGER KING RESTAURANT
NEAR CORNER OF HWY 82 & JACKSON ST.
NA-HUNTA, GA