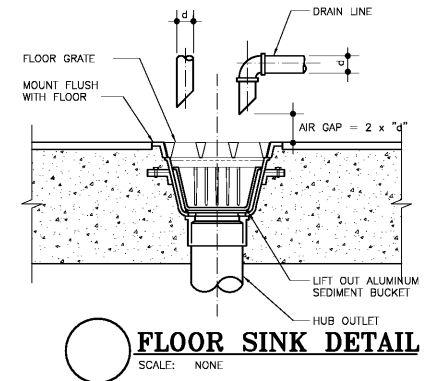
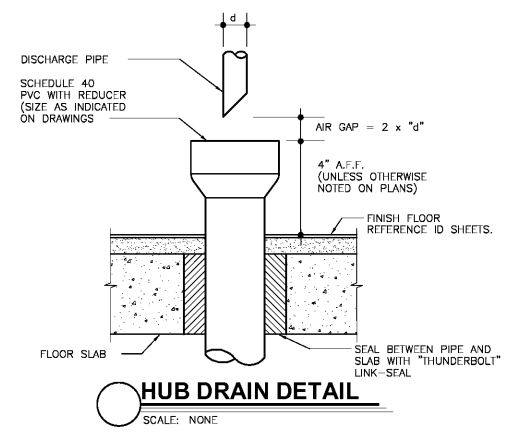
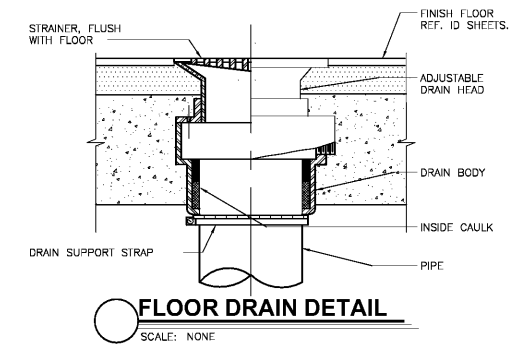
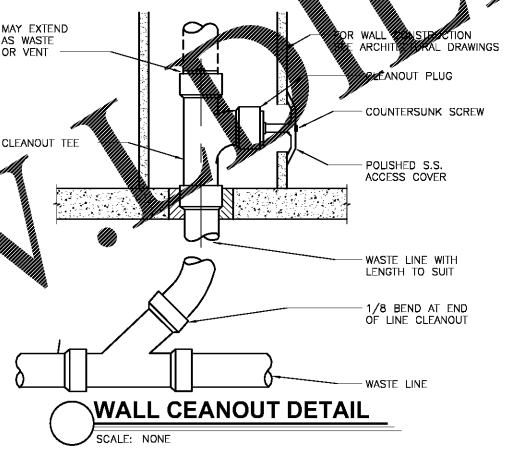
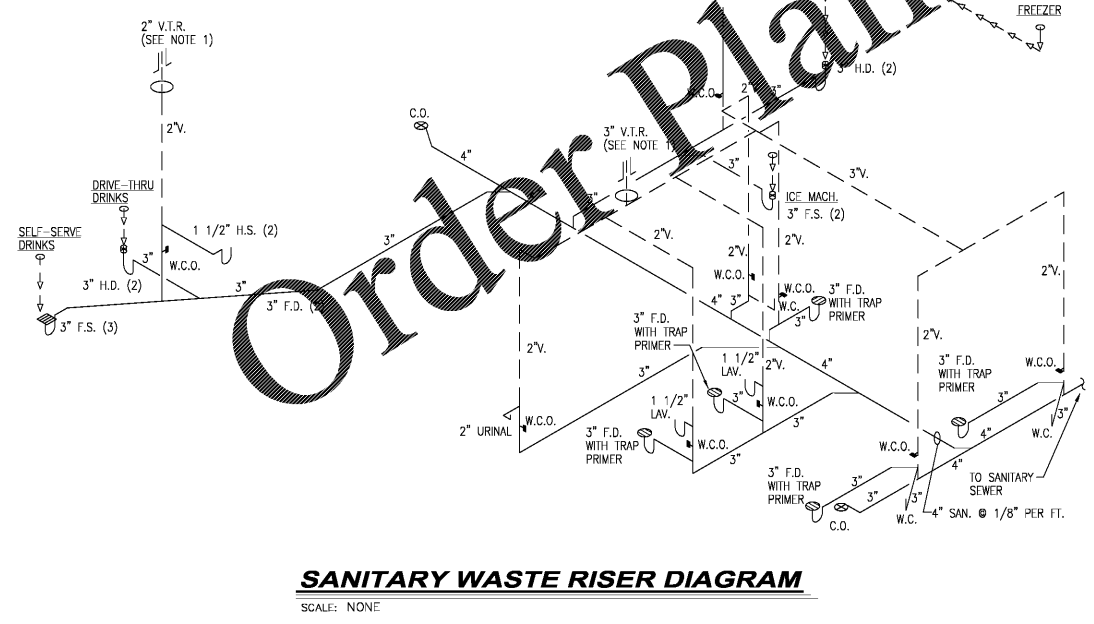
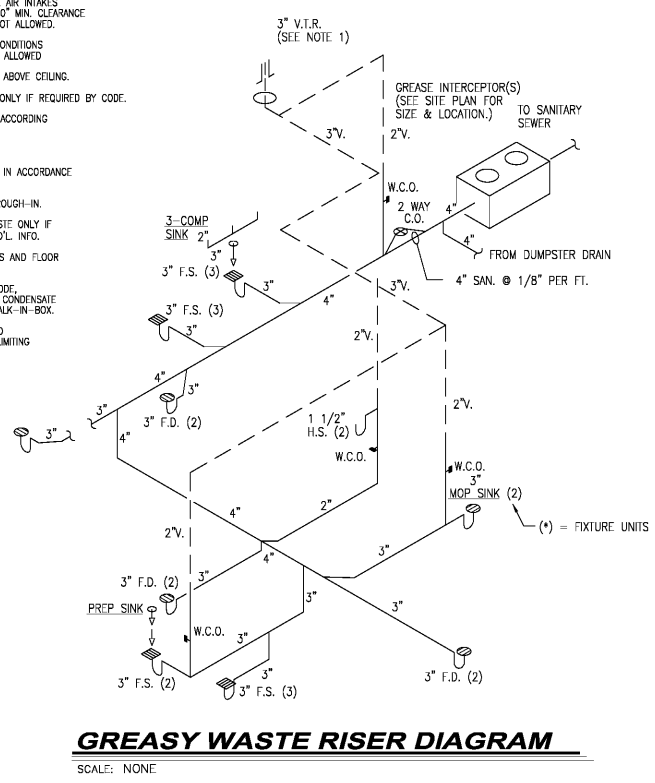
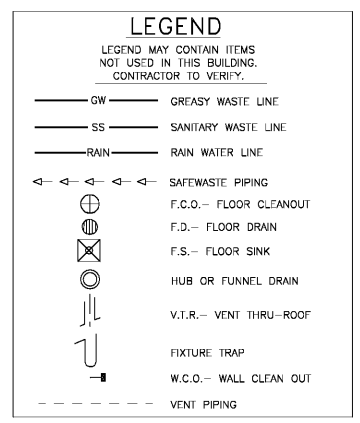


PLUMBING FIXTURE SCHEDULE				
MARK	FIXTURE	MANUFACTURER	MODEL NUMBER	MODEL NAME VALVE
P-1	WATER CLOSET	* REFER TO SHEET A-3.1 FOR IMAGE SPECIFIC FIXTURES		
P-2	WATER CLOSET - ADA	* REFER TO SHEET A-3.1 FOR IMAGE SPECIFIC FIXTURES		
P-3	URINAL - ADA	* REFER TO SHEET A-3.1 FOR IMAGE SPECIFIC FIXTURES		
P-4	LAVATORIES	* REFER TO SHEET A-3.1 FOR IMAGE SPECIFIC FIXTURES		
P-5	MOP SINK	CAST IN PLACE		CHICAGO #897-CP -OR- AMERICAN STANDARD #8344.111 -OR- KOHLER #8907
P-6	WATER HEATER	LOCHINVAR	24 KW, 208/3/60	HCT18-080
P-7	TEMPERING VALVE	WATTS	N170L-M2	
P-8	FLOOR SINK	JOSAM	49300 (49320A AT 3-COMP SINK)	
		J.R. SMITH	3100 (3111 AT 3-COMP SINK)	
		ZURN	21910 (Z1900 AT 3-COMP SINK)	
P-9	FLOOR DRAIN	JOSAM	30000-50	
		J.R. SMITH	2010-AP	
		ZURN	Z-415B	

NOTES:
 1. COMPARABLE FIXTURES BY AMERICAN STANDARD, ELIER AND KOHLER ARE ACCEPTABLE.
 2. TOILET SEATS TO BE CHURCH 9500SSC, KOHLER K-4671-CALSONITE 110C OR EQUAL.
 3. IN SINGLE USE RESTROOMS ALL FIXTURES MUST BE ADA COMPLIANT.
 ** PROVIDE ASSE 1070 COMPLIANT THERMOSTATING VALVES ON ALL AVATORIES SET TO 109°F



- NOTES**
- PLUMBING CONTR. TO COORDINATE VENT STACKS WITH OUTSIDE AIR INTAKES OF A/C UNITS AND SUPPLY FANS & MAINTAIN AT LEAST 10'-0" MIN. CLEARANCE OR AS PER LOCAL CODE REQUIREMENTS. FLAT VENTS ARE NOT ALLOWED.
 - INCREASE V.I.R.'S TO SIZE REQUIRED BY LOCAL CODES AND CONDITIONS AS REQUIRED FOR FROST ENCLOSURE. FLAT VENTS ARE NOT ALLOWED.
 - RUN SYRUP LINES FROM SODA FACTORY TO DRINK DISPENSER ABOVE CEILING.
 - CAST IRON PIPE MAY BE USED UNDER SLAB IN LIEU OF PVC ONLY IF REQUIRED BY CODE.
 - PROVIDE CONDENSATE LINES FROM A/C UNITS ABOVE CEILING ACCORDING TO LOCAL CODE REQUIREMENTS.
 - RESFAL FLOOR DRAINS ACCORDING TO LOCAL REQUIREMENTS.
 - SAFEWASTE PIPING ABOVE AND ALONG FLOOR SHALL BE SIZED IN ACCORDANCE WITH LOCAL CODE REQUIREMENTS.
 - COORDINATE SAFEWASTE LINE CONNECTIONS WITH EQUIPMENT ROUGH-IN.
 - P.V.C. (SCHEDULE 40) PIPE CAN BE USED FOR VENTS AND WASTE ONLY IF APPROVED BY LOCAL BUILDING CODES. SEE SPECS FOR ADD. INFO.
 - SEE FOUNDATION PLAN FOR EXACT LOCATION OF FLOOR DRAINS AND FLOOR SINKS.
 - IF WALK-IN-BOX CONDENSATE LINE IS REQUIRED BY LOCAL CODE, PLUMBING CONTRACTOR SHALL FURNISH AND INSTALL 1 1/4" CONDENSATE LINE, AND SEAL AROUND ALL PENETRATIONS THROUGH THE WALK-IN-BOX.
 - HEAT TAPE IS PROVIDED BY WALK-IN-BOX MANUFACTURER AND INSTALLED BY ELECTRICAL CONTRACTOR. IT IS TO BE SELF-LIMITING TYPE, "THERMEX" OR EQUAL.



Order Plans @

WWW.LDLINE.com

DRAWN BY: MRW
 NO. DATE: 03.26.19
 CHECKED BY: ENR, MRW
 REVISION
 RELEASED FOR CONSTRUCTION



2126 Morris Avenue
 Birmingham, AL 35203
 Phone: (205) 322-1778
 Fax: (205) 322-1778
 email: info@jma.com
 www.jma.com

James M. Huckestein architect, AIA
 architecture • planning • interior design



PROJECT # 1802624
 ROC-60 TALL 20/20 IMAGE: NOVEMBER 2018 DESIGN RELEASE
BURGER KING RESTAURANT
 NEAR CORNER OF HWY 82 & JACKSON ST.
 NA-HUNTA, GA

SANITARY AND GREASY WASTE PLAN & RISER