

Shane R.
Hamilton P.E.
CONSULTING ENGINEER
1717 N. HOWARD AVENUE
TAMPA, FL 33607 (813) 251-8848

DRAWING INFORMATION		
DATE	DESCRIPTION	BY
03-08-19	FOR CONSTRUCTION	KM

NCA
CONSULTANTS / GROUP
4585 140TH AVE. NORTH, SUITE #1001
CLEARWATER, FLORIDA
PHONE: (877) 530-0078
CALL NCA MARKETING FOR PRICING
NCA JOB# 19319

NO.	DATE	REVISION	RELEASED FOR CONSTRUCTION



PREMIER KINGS, INC.
5529 CARRIAGEWAY ROAD
MONTICELLO, ALABAMA 36117
PHONE: (205) 821-1111
WWW.PREMIERKINGS.COM

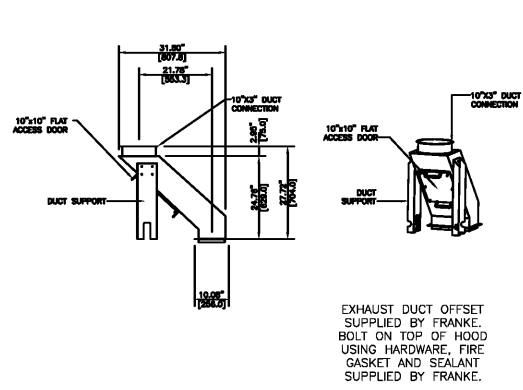
2126 Morris Avenue
Birmingham, AL 35203
Phone: (205) 322-7511
Fax: (205) 322-1778
email: info@hendonarchitects.com
www.hendonarchitects.com

hendon architects, PC
architecture • planning • interior design

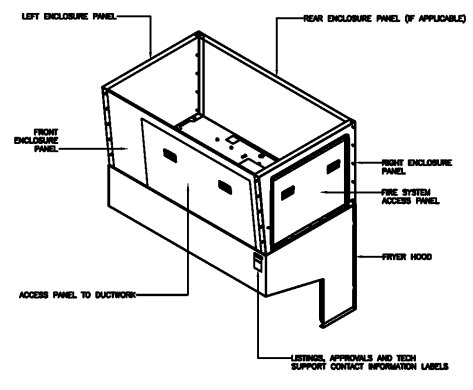
SHANE HAMILTON, P.E.
1717 N. HOWARD AVE., TAMPA, FL
GEORGIA LICENSE #PE041331



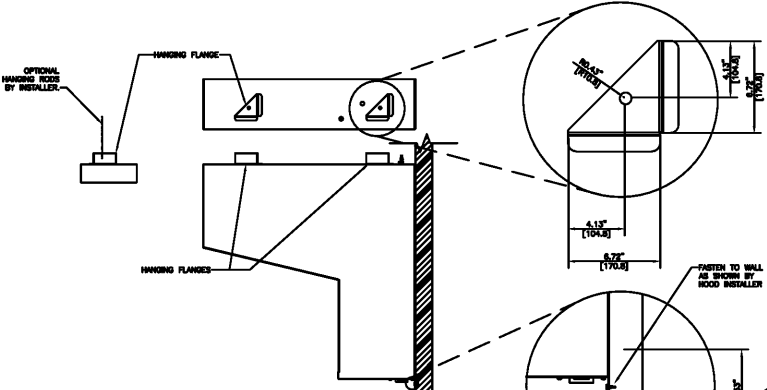
PROJECT # 18026.24
RCC-60 TALL 20 WAGE: NOVEMBER 2018 DESIGN RELEASE
BURGER KING RESTAURANT
NEAR CORNER OF HWY 82 & JACKSON ST.
NAHUNTA, GA
HOOD DETAILS



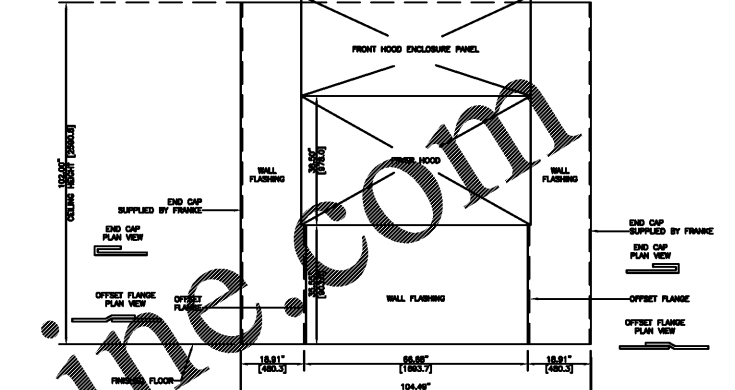
1 EXHAUST DUCT OFFSET DETAIL
SCALE: NO SCALE



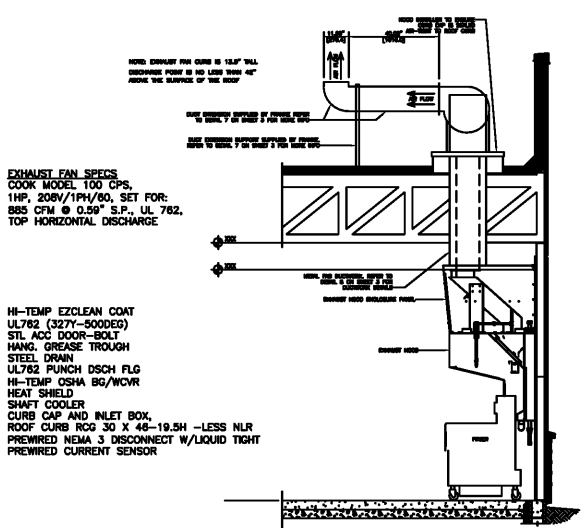
2 HOOD ENCLOSURE DETAIL
SCALE: NO SCALE



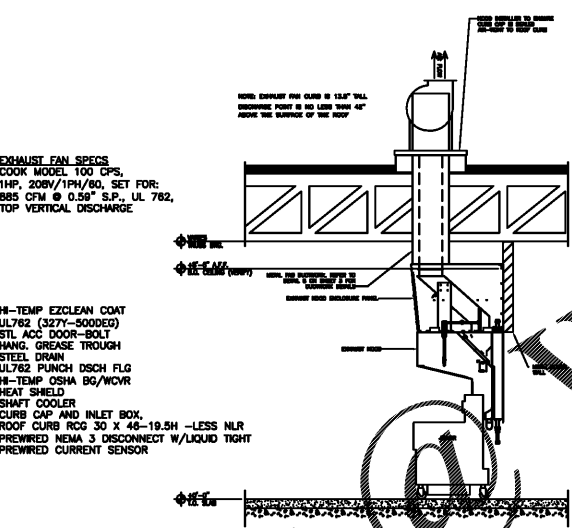
3 FRYER HOOD HANGING DETAIL
SCALE: NO SCALE



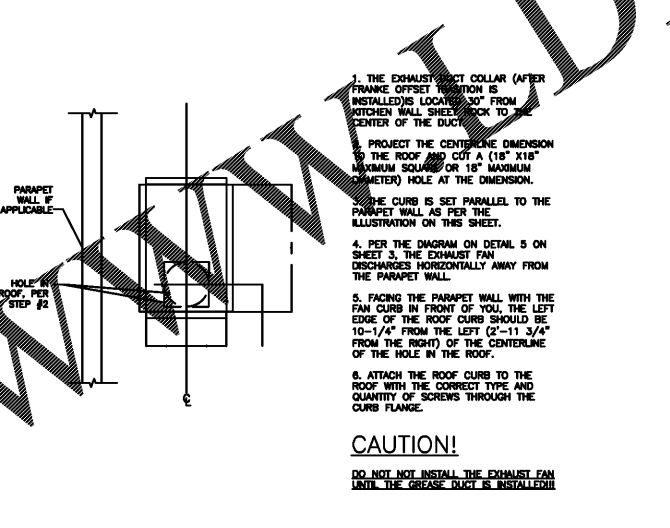
4 FRYER HOOD WALL FLASHING DETAIL
SCALE: NO SCALE



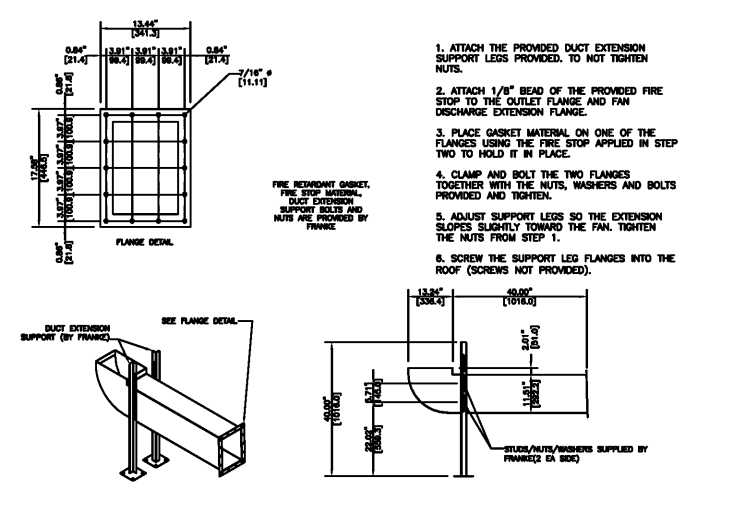
5a FRYER HOOD EXHAUST FAN DETAIL - FREESTANDING HOOD
SCALE: NO SCALE



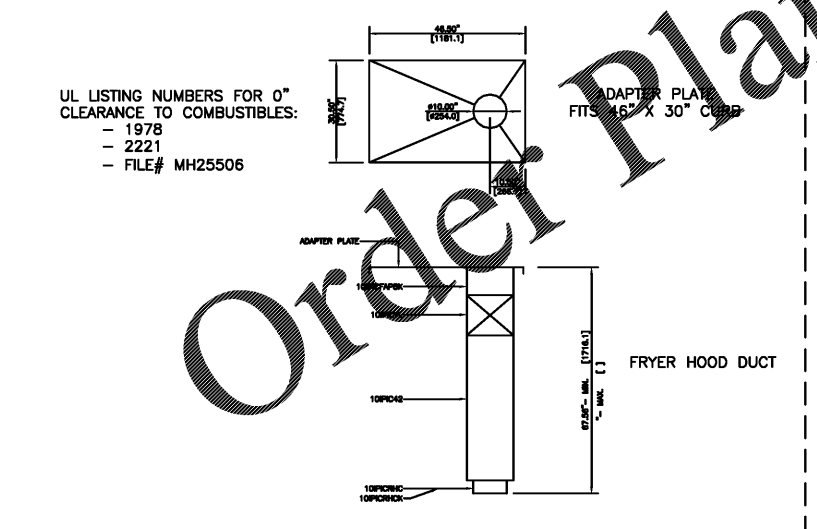
5b FRYER HOOD EXHAUST FAN DETAIL - TYPICAL MOUNTING OF THE ROOF CURB
SCALE: NO SCALE



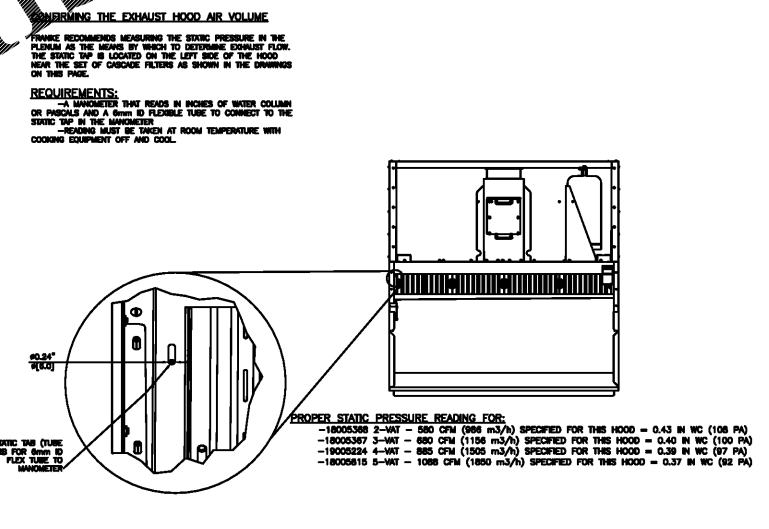
6 INSTRUCTIONS FOR TYPICAL MOUNTING OF THE ROOF CURB
SCALE: NO SCALE



7 EXHAUST FAN EXTENSION DUCT DETAIL
SCALE: NO SCALE



8 METAL-FAB DUCT DETAIL
SCALE: NO SCALE



9 EXHAUST VOLUME CONFIRMATION
SCALE: NO SCALE

CONTROL MATRIX						
IF:	THEN:					NOTES
CONDITION	EXHAUST FAN	ELECTRIC POWER TO COOKING EQUIPMENT	MECHANICAL GAS VALVE	HVAC UNITS	MAKE-UP AIR UNITS (IF AVAILABLE)	
FAN SWITCH IS TURNED ON	ON	ON	ON	ON	ON	HVAC MUST BE ON FOR EXHAUST FAN TO OPERATE.
FAN SWITCH IS TURNED OFF	OFF	OFF	OFF	OFF	OFF	
FIRE SUPPRESSION DISCHARGES	ON	OFF	OFF	OFF	OFF	
FAN BELT IS SLIPPING	ON	ON	ON	ON	OFF	POWER TO COOKING EQ. OFF WA CURRENT SENSOR
FAN BELT IS BROKEN	ON	ON	ON	ON	OFF	POWER TO COOKING EQ. OFF WA CURRENT SENSOR
LOSS OF POWER	OFF	OFF	OFF	OFF	OFF	
HVAC IS SWITCHED OFF	OFF	OFF	ON	OFF	OFF	

10 CONTROL MATRIX
SCALE: NO SCALE

© Copyright 2019- Drawings, specifications, notes, database, computer files, field data, and reports as instruments of service prepared by the Design of Record. As instruments of services, these items remain the property of the Design of Record, who shall retain all statutory and other reserved rights, including the copyright thereto. Any use, reproduction or changes to these documents without written consent of NCA Consultants is a violation of federal copyright laws.