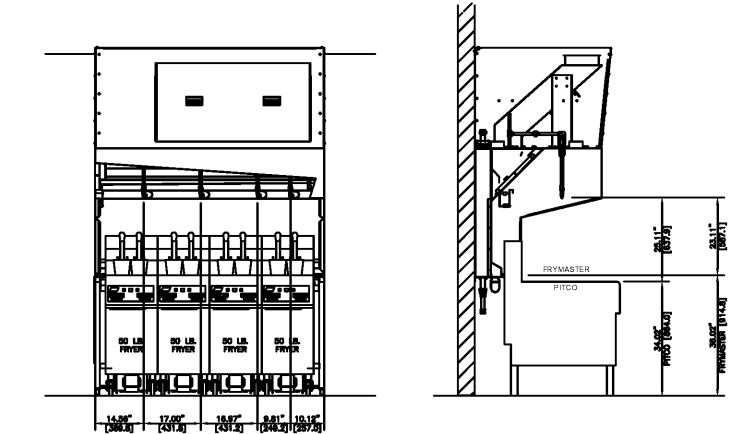


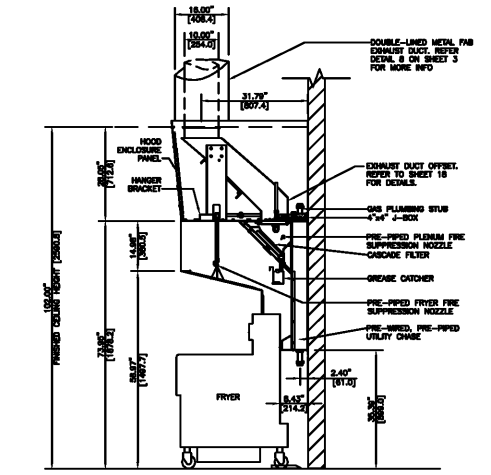
Shane R.
Hamilton P.E.
CONSULTING ENGINEER
1717 N. Howard Avenue
Tampa, FL 33607 (813) 251-8848

DRAWING INFORMATION		
DATE	DESCRIPTION	BY
03-08-19	FOR CONSTRUCTION	KM

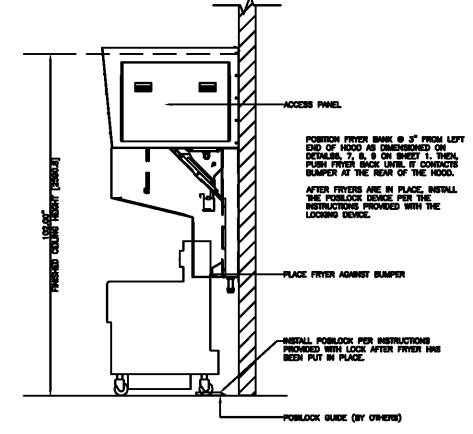
N-C-A
CONSULTANTS / GROUP
4585 140TH AVE. NORTH, SUITE #1001
CLEARWATER, FLORIDA
PHONE: (877) 530-0078
CALL NCA MARKETING FOR PRICING
NCA JOB# 19319



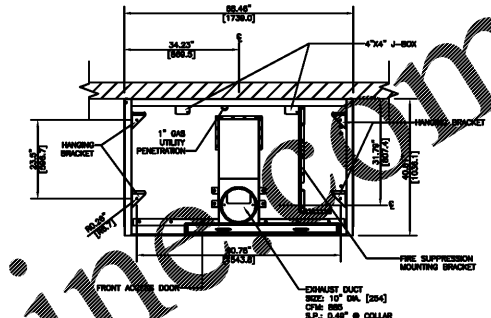
1 ANSUL FIRE SUPPRESSION PIPING DETAIL - OPTIONAL FRYER CONFIGURATION
2 SCALE: NO SCALE



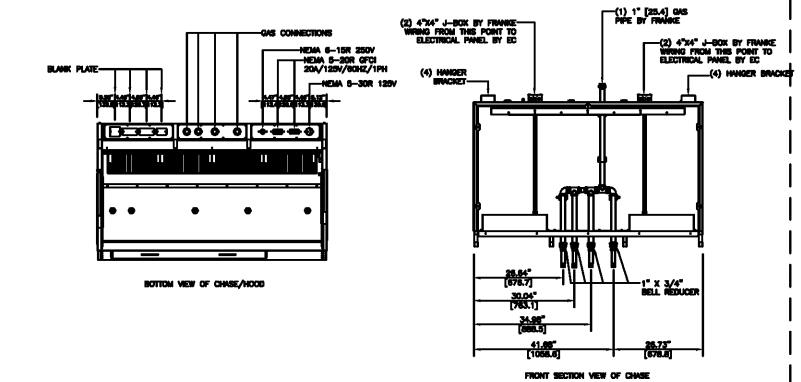
2 FRYER HOOD SECTION VIEW
2 SCALE: NO SCALE



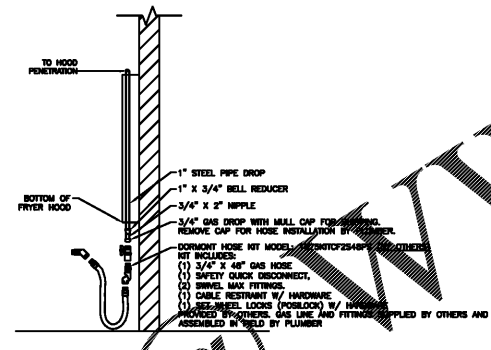
3 FRYER HOOD RIGHT END VIEW
2 SCALE: NO SCALE



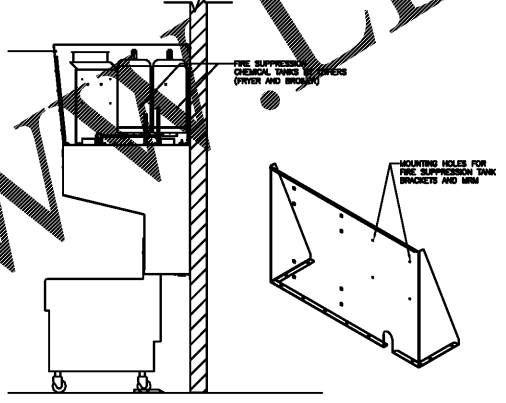
4 FRYER HOOD PLAN VIEW
2 SCALE: NO SCALE



5 UTILITY DETAILS
2 SCALE: NO SCALE



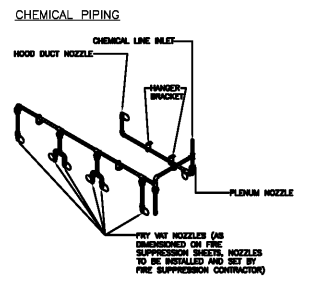
6 TYPICAL GAS FRYER UTILITY INSTALLATION
2 SCALE: NO SCALE



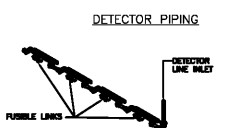
7 FIRE SYSTEM MOUNTING DETAIL
2 SCALE: NO SCALE

AMEREX PIPING PART NUMBERS	
DUCT NOZZLE	PART #16416
PLENUM NOZZLE	PART #11982
FUSIBLE LINK	PART #16227
FRYER NOZZLES	PART #11982

NOTES:
- ALL FUSIBLE LINKS ARE 360°
- ALL BLOW OFF CAPS ARE HIGH TEMP METAL, PART #79745
- PIPE DROPS, NOZZLES AND SWIVEL ELBOWS FURNISHED AND INSTALLED BY THE FIRE SYSTEM CONTRACTOR.

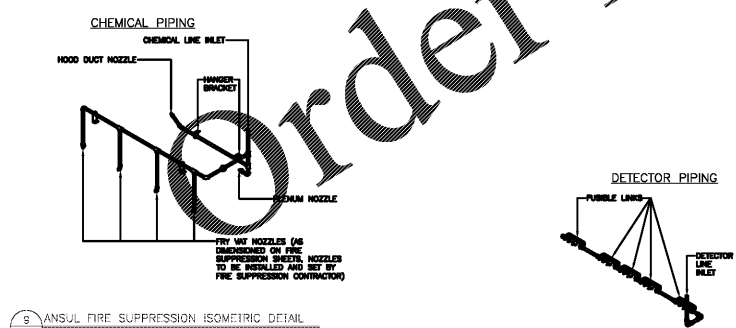


8 AMEREX FIRE SUPPRESSION ISOMETRIC DETAIL
2 SCALE: NO SCALE

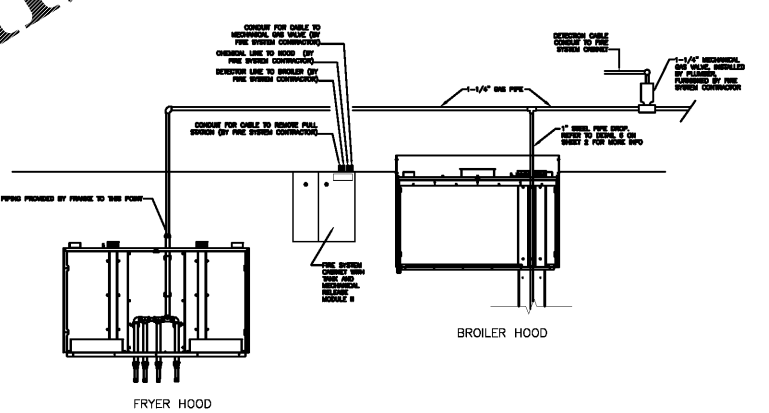


ANSUL PIPING PART NUMBERS	
DUCT NOZZLE	PART #4193372W
PLENUM NOZZLE	PART #4193351N
FUSIBLE LINK	PART #415742
FRYER NOZZLES	PART #41934024S

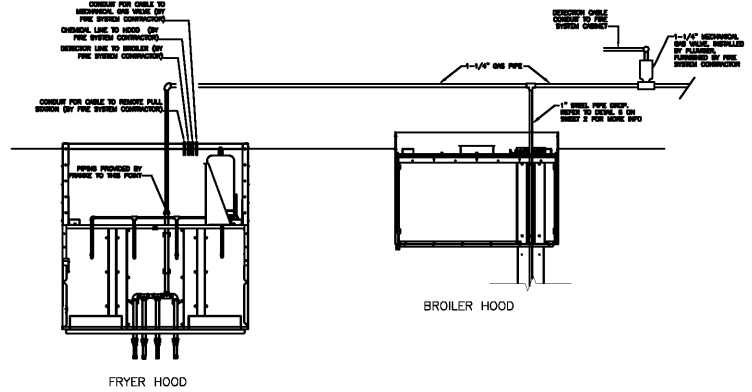
NOTES:
- ALL FUSIBLE LINKS ARE 360°
- ALL BLOW OFF CAPS ARE HIGH TEMP METAL, PART #12504
- PIPE DROPS, NOZZLES AND SWIVEL ELBOWS FURNISHED AND INSTALLED BY THE FIRE SYSTEM CONTRACTOR.



9 ANSUL FIRE SUPPRESSION ISOMETRIC DETAIL
2 SCALE: NO SCALE



10 FIRE SUPPRESSION EXTERNAL CONTROL BOX DETAIL*
2 SCALE: NO SCALE



11 FIRE SUPPRESSION INTERNAL CONTROL BOX DETAIL*
2 SCALE: NO SCALE

*OPTIONAL MOUNTING OF THE FIRE SUPPRESSION SYSTEM OUTSIDE THE FRANKIE HOOD, ON THE WALL

*STANDARD MOUNTING OF THE FIRE SUPPRESSION SYSTEM INSIDE THE FRANKIE HOOD

Order Plans @ WWW.LDILine.com

CHECKED BY: _____
DATE: _____
REVISION: _____
RELEASED FOR CONSTRUCTION: _____
DRAWN BY: _____
DATE: 03.26.19
NO: _____

PREMIER KINGS, INC.
5529 CARIBBEAN ROAD
MONTGOMERY, ALABAMA 36117
PHONE: _____
LINSEY@BKALABAMA.COM

2126 Morris Avenue
Birmingham, AL 35203
Phone (205) 322-1751
Fax (205) 322-1778
email info@hendonarch.com
www.hendonarch.com

SHANE HAMILTON, P.E.
1717 N. HOWARD AVE., TAMPA, FL
GEORGIA LICENSE #PE041331

NOVEMBER 2018 DESIGN RELEASE
RCC-60 TALL 20 IMAGE: NOVEMBER 2018 DESIGN RELEASE
BURGER KING RESTAURANT
NEAR CORNER OF HWY 82 & JACKSON ST.
NAHUNTA, GA

© Copyright 2019- Drawings, specifications, notes, database, computer files, field data, and reports as instruments of service prepared by the Design of Record. As instruments of services, these items remain the property of the Design of Record, who shall retain all statutory and other reserved rights, including the copyright thereto. Any use, reproduction or changes to these documents without written consent of NCA Consultants is a violation of federal copyright laws.