

Shane R.
Hamilton P.E.
CONSULTING ENGINEER
1717 N. Howard Avenue
Tampa, FL 33607 (813) 251-8848

DRAWING INFORMATION		
DATE	DESCRIPTION	BY
03-08-19	FOR CONSTRUCTION	KM

NCA
CONSULTANTS / GROUP
4585 140TH AVE. NORTH, SUITE #1001
CLEARWATER, FLORIDA
PHONE: (877) 530-0078
CALL NCA MARKETING FOR PRICING
NCA JOB# 19319

OVERVIEW

TYPICALLY THE EXHAUST HOOD KIT PROVIDED BY FRANKIE FOODSERVICE SYSTEMS WILL INCLUDE THE FOLLOWING:

- HOOD AND ACCESSORIES
- METAL FAB UL LISTED GREASE EXHAUST DUCT
- LOREN COOK EXHAUST FAN
- AMEREX FIRE SYSTEM

THE SHIPMENT FROM FRANKIE FOODSERVICE SYSTEMS WILL INCLUDE THE FOLLOWING:

- HOOD
- UTILITY CHASE
- WALL FLASHING
- PANCA PANELS
- CASCADE GREASE FILTERS
- METAL FAB GREASE EXHAUST DUCT

THE LOREN COOK EXHAUST FAN AND ROOF CURB IS DROPPED SHIPPED FROM THEIR FACTORY.

FIRE SUPPRESSION SYSTEM
THE HOOD HAS BEEN FACTORY PRE-PIPED FOR AN AMEREX FIRE SUPPRESSION SYSTEM. THE HOOD KIT FROM FRANKIE FOODSERVICE SYSTEMS INCLUDES COMPLETE INSTALLATION OF THE FIRE SUPPRESSION SYSTEM INCLUDING ALL PLANS, FORMATS, CHECK OUT AND CERTIFICATION. THE LOCAL AMEREX REPRESENTATIVE WILL BRING ALL THE SYSTEM COMPONENTS AT THE TIME OF INSTALLATION.

AS AN OPTION, THE HOODS MAY BE PRE-PIPED FOR ANSUL FIRE SUPPRESSION SYSTEM.

CONTACT INFORMATION

SHIPPING INFORMATION
FOR ALL FRANKIE HOOD PARTS - INVA ALWAY
FRANKIE FOODSERVICE SYSTEMS, INC.
800 AVIATION PARKWAY
SMYRNA, TN 37167
+1-615-462-4000

HOOD INSTALLATION QUESTIONS
FRANKIE FOODSERVICE SYSTEMS, INC. TECHNICAL SUPPORT
PHONE - 1-800-637-5553 OPTION 2
E-MAIL - FS-TECH@FRANKIE.COM

AMEREX INSTALLATION QUESTIONS
THE HOOD IS FACTORY PRE-PIPED FOR AN AMEREX FIRE SUPPRESSION SYSTEM. THE LOCAL AMEREX DISTRIBUTOR WILL MAKE CONTACT WITH THE GENERAL CONTRACTOR TO SET UP THE INSTALLATION SCHEDULE. IF YOU HAVE NOT HEARD FROM THE DISTRIBUTOR, CONTACT:
KAREN MANN
AMEREX CORPORATION, TRUSSVILLE, AL
1-205-868-6730

LOREN COOK FAN INSTALLATION
IF THERE ARE QUESTIONS OR ISSUES WITH THE LOREN COOK FAN INSTALLATION CONTACT:
DAVID RAY
LOREN COOK COMPANY, SPRINGFIELD, MO
1-417-898-6474

METAL-FAB DUCT INSTALLATION
IF THERE ARE QUESTIONS OR ISSUES WITH THE METAL-FAB DUCT INSTALLATION CONTACT:
METAL FAB, INC. WICHITA, KS
COMMERCIAL SERVICE, COMMERCIAL VENT PRODUCTS
1-800-830-2830

FRYER HOOD LISTING AND APPROVAL REFERENCE



INTERTEK TESTING SERVICES, INC.
FRYER HOOD IS E.T.L. LISTED EXHAUST HOODS WITHOUT EXHAUST DAMPERS, REPORT NO. 3188208. TESTED UNDER IN ACCORDANCE WITH UNDERWRITERS LABORATORIES STANDARDS UL710 AND UL6984E.

NATIONAL FIRE PROTECTION ASSOCIATION
FRYER HOOD MEETS ALL REQUIREMENTS OF NFPA-96 STANDARD FOR VENTILATION CONTROL AND FIRE PROTECTION OF COMMERCIAL COOKING OPERATIONS

NATIONAL SANITATION FOUNDATION
MEETS ALL REQUIREMENTS OF NSF STANDARD NUMBER 2 FOOD SERVICE EQUIPMENT

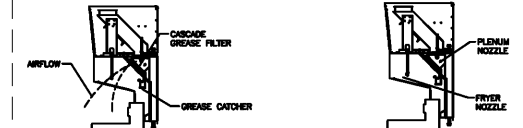
MECHANICAL CODES
MEETS ALL REQUIREMENTS OF THE UMC, BOCA, SBCE, AND IBC.

CONTACT INFORMATION

ANSUL INSTALLATION QUESTIONS
ANSUL FIRE SUPPLEMENT
OFFICE PHONE: 1-800-582-8785

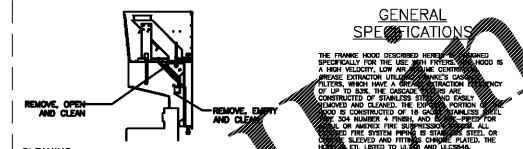
1 GENERAL NOTES FOR INSTALLATION CREWS
SCALE: NO SCALE

2 LISTINGS AND APPROVALS
SCALE: NO SCALE

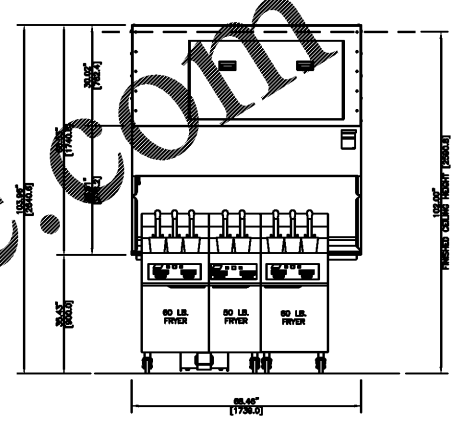


GREASE EXTRACTION
THE FRYER VENTILATOR HOOD MODEL 1808224 DRAWS UP TO 80% OF THE MECHANICALLY EXTRACTABLE GREASE PARTICLES FROM THE AIR STREAM BY CASCADE FILTRATION. THIS IS ACCOMPLISHED BY USING AMEREX CASCADE STEEL COGNATE FILTERS WHICH INCORPORATE A SERIES OF VERTICAL SHIFTLERS. AS THE GREASE-LADEN AIR IS DRAWN UP THROUGH THE CASCADE FILTERS, IT IS FORCED TO MAKE A SERIES OF HIGH SPEED TURNS AROUND THESE SHIFTLERS, FORCING THE HEAVIER-THAN-AIR PARTICLES TO BE THROWN OUT OF THE AIR STREAM BY CENTRIFUGAL FORCE. THE GREASE THEN DRIPS FROM THE FILTER AND THE GREASE OILERS AND INTO THE GREASE COLLECTOR CUP.

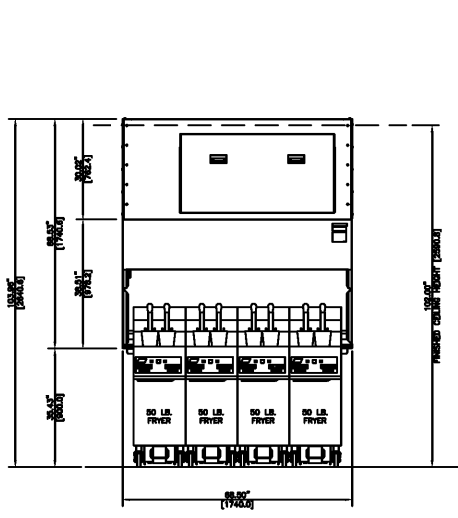
FIRE SUPPRESSION
THE FRYER VENTILATOR HOOD MODEL 1808224 IS FACTORY PRE-PIPED FOR AN AMEREX FIRE SUPPRESSION SYSTEM. THE HOOD KIT FROM FRANKIE FOODSERVICE SYSTEMS INCLUDES COMPLETE INSTALLATION OF THE FIRE SUPPRESSION SYSTEM INCLUDING ALL PLANS, FORMATS, CHECK OUT AND CERTIFICATION. THE LOCAL AMEREX REPRESENTATIVE WILL BRING ALL THE SYSTEM COMPONENTS AT THE TIME OF INSTALLATION.



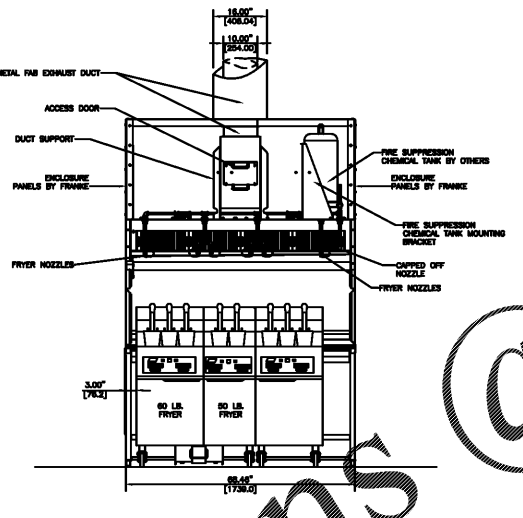
CLEANING
AT THE END OF EACH DAY AFTER THE FRYER HAS BEEN SHUT OFF, THE CASCADE FILTERS ARE REMOVED FROM THE HOOD, WASHED WITH SOAP AND WATER, RINSED AND DRIED. THE GREASE CATCHER IS ALSO REMOVED FROM THE HOOD, WASHED WITH SOAP AND WATER, RINSED AND DRIED. THE HOOD IS WASHED WITH SOAP AND WATER, RINSED AND DRIED. THE HOOD IS WASHED WITH SOAP AND WATER, RINSED AND DRIED.



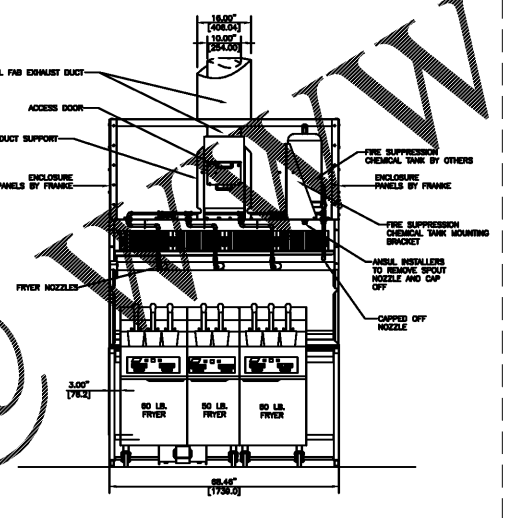
4 PREFERRED FRYER CONFIGURATION FRONT ELEVATION
SCALE: NO SCALE



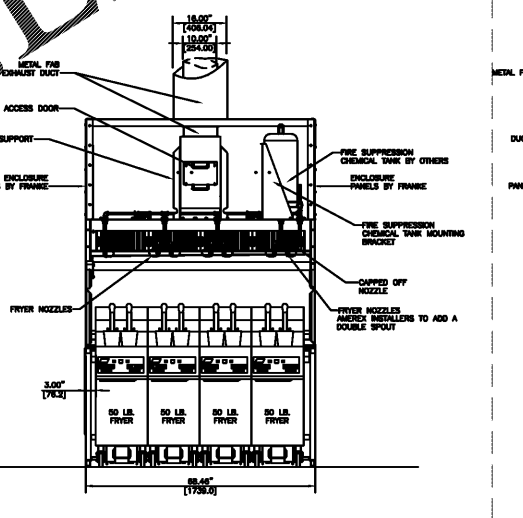
5 OPTIONAL FRYER CONFIGURATION FRONT ELEVATION
SCALE: NO SCALE



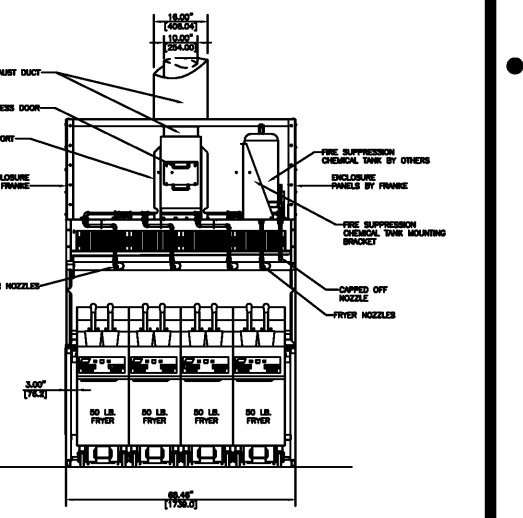
6 PREFERRED FRYER CONFIGURATION FRONT ELEVATION FIRE SUPPRESSION DETAIL - AMEREX
SCALE: NO SCALE



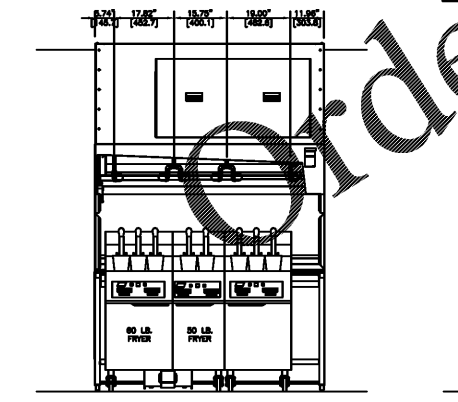
7 PREFERRED FRYER CONFIGURATION FRONT ELEVATION FIRE SUPPRESSION DETAIL - ANSUL
SCALE: NO SCALE



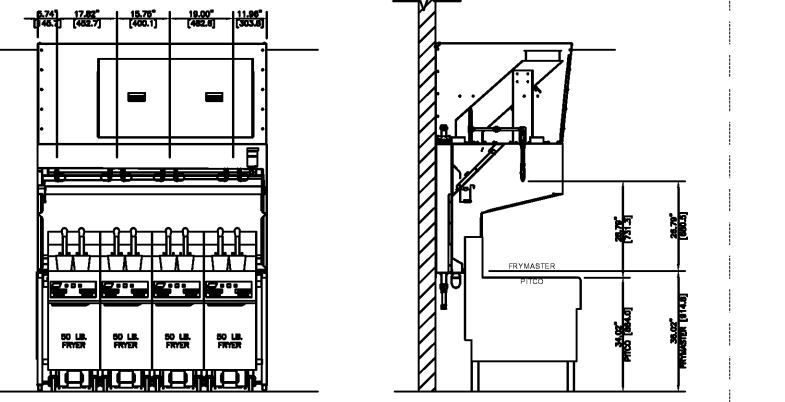
8 OPTIONAL FRYER CONFIGURATION FRONT ELEVATION FIRE SUPPRESSION DETAIL - AMEREX
SCALE: NO SCALE



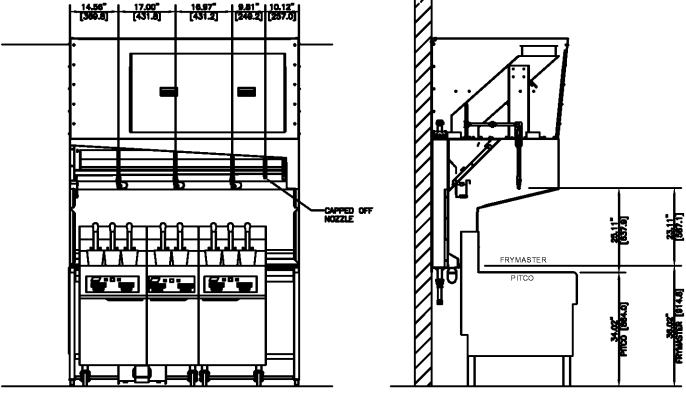
9 OPTIONAL FRYER CONFIGURATION FRONT ELEVATION FIRE SUPPRESSION DETAIL - ANSUL
SCALE: NO SCALE



10 AMEREX FIRE SUPPRESSION PIPING DETAIL - PREFERRED FRYER CONFIGURATION
SCALE: NO SCALE



11 AMEREX FIRE SUPPRESSION PIPING DETAIL - OPTIONAL FRYER CONFIGURATION
SCALE: NO SCALE



12 ANSUL FIRE SUPPRESSION PIPING DETAIL - PREFERRED FRYER CONFIGURATION
SCALE: NO SCALE

© Copyright 2019- Drawings, specifications, notes, database, computer files, field data, and reports as instruments of service prepared by the Design of Record. As instruments of service, these items remain the property of the Design of Record, who shall retain all statutory and other reserved rights, including the copyright thereto. Any use, reproduction or changes to these documents without written consent of NCA Consultants is a violation of federal copyright laws.

CHECKED BY: _____
REVISION: _____
RELEASED FOR CONSTRUCTION: _____

DRAWN BY: _____
DATE: 03.26.19

PREMIER KINGS, INC.
5529 CARRISCHAE ROAD
MONTGOMERY, ALABAMA 36117
PHONE: (205) 833-1111
WWW.PREMIERKINGS.COM

2126 Morris Avenue
Birmingham, AL 35203
Phone: (205) 322-1751
Fax: (205) 322-1778
email: info@hendonarchitects.com
www.hendonarchitects.com

hendon architects, PC
architecture • planning • interior design

SHANE HAMILTON, P.E.
1717 N. HOWARD AVE., TAMPA, FL
GEORGIA LICENSE #PE041331

REGISTERED PROFESSIONAL ENGINEER
MECHANICAL
STATE OF FLORIDA

PROJECT #: 18026.24
RCC-60 TALL 20/20 IMAGE: NOVEMBER 2018 DESIGN RELEASE
BURGER KING RESTAURANT
NEAR CORNER OF HWY 82 & JACKSON ST.
NAHUNTA, GA

HOOD DETAILS

M-7