

DRAWING INFORMATION		
DATE	REVISION	BY
03-08-19	FOR CONSTRUCTION	KM

N-C-A
CONSULTANTS / GROUP
4585 140TH AVE. NORTH, SUITE #1001
CLEARWATER, FLORIDA
PHONE: (877) 530-0078
CALL NCA MARKETING FOR PRICING
NCA JOB# 19319

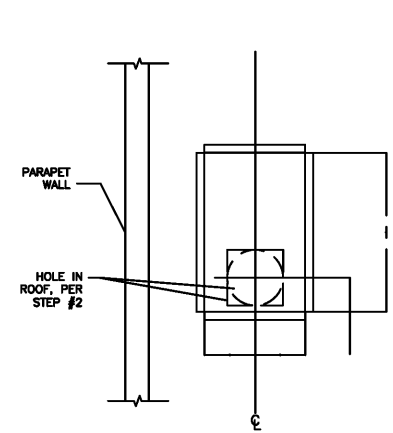
NO.	DATE	REVISION	CHECKED BY:

BURGER KING
PREMIER KINGS, INC.
5529 CARMICHAEL ROAD
MONTICEMERY, ALABAMA 36117
PHONE: (205) 833-1111
LINDSEY@BKBALABAMA.COM

2126 Morris Avenue
Birmingham, AL 35203
Phone: (205) 322-7511
Fax: (205) 322-7778
www.hendersonhockestein.com
henderson hockestein architects, PC
architecture • planning • interior design

SHANE HAMILTON, P.E.
1717 N. HOWARD AVE., TAMPA, FL
GEORGIA LICENSE #PE041331
Shane Hamilton
REGISTERED PROFESSIONAL ENGINEER
MECHANICAL
TAMPA, FLORIDA

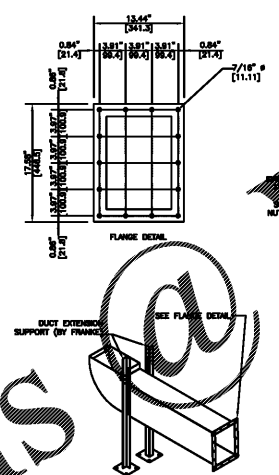
PROJECT #: 18026.24
RCC-60 TALL 20 IMAGE: NOVEMBER 2018 DESIGN RELEASE
BURGER KING RESTAURANT
NEAR CORNER OF HWY 82 & JACKSON ST.
NAHUNTA, GA
HOOD DETAILS



1 INSTRUCTIONS FOR TYPICAL MOUNTING OF THE ROOF CURB
SCALE: NO SCALE

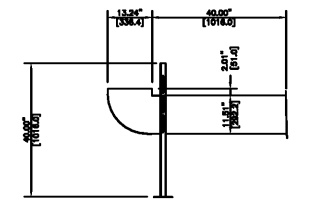
1. THE EXHAUST DUCT COLLAR IS LOCATED IN THE CENTER OF THE HOOD AND 13.82" FROM KITCHEN WALL SHEET ROCK TO THE CENTER OF THE DUCT.
2. PROJECT THE CENTERLINE DIMENSION TO THE ROOF AND CUT A (20" MAXIMUM DIAMETER OR 20"x20" SQUARE) HOLE AT THE DIMENSION.
3. THE CURB IS SET PARALLEL TO THE PARAPET WALL AS PER THE ILLUSTRATION ON THIS SHEET.
4. PER THE DIAGRAM IN DETAIL 9 ON SHEET 2, THE EXHAUST FAN DISCHARGES HORIZONTALLY AWAY FROM THE PARAPET WALL.
5. FACING THE PARAPET WALL WITH THE FAN CURB IN FRONT OF YOU, THE LEFT EDGE OF THE ROOF CURB SHOULD BE 10-1/4" FROM THE LEFT (2'-11 3/4" FROM THE RIGHT) OF THE CENTERLINE OF THE HOLE IN THE ROOF.
6. ATTACH THE ROOF CURB TO THE ROOF WITH THE CORRECT TYPE AND QUANTITY OF SCREWS THROUGH THE CURB FLANGE.

CAUTION!
DO NOT NOT INSTALL THE EXHAUST FAN UNTIL THE GREASE DUCT IS INSTALLED.



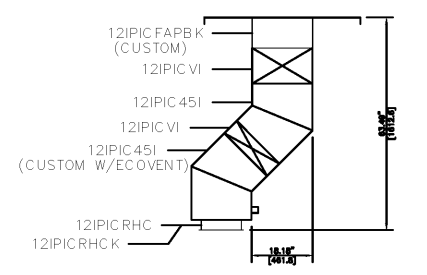
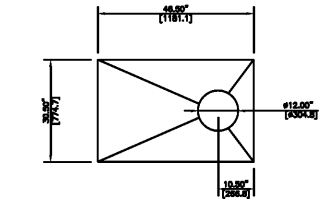
2 INSTRUCTIONS FOR TYPICAL MOUNTING OF THE ROOF CURB
SCALE: NO SCALE

- INSTALLATION INSTRUCTIONS**
1. ATTACH THE PROVIDED DUCT COLLAR TO SUPPORT LEGS PROVIDED. DO NOT TIGHTEN NUTS.
 2. ATTACH THE BEARS OF THE PROVIDED FIRE STOP TO THE DUCT FLANGE AND FAN DISCHARGE EXTENSION FLANGE.
 3. SET THE CURB BEARING ON ONE OF THE FLANGES USING THE FIRE STOP APPLIED IN STEP TWO TO HOLD IT IN PLACE.
 4. CLAMP AND BOLT THE TWO FLANGES TOGETHER WITH THE NUTS, WASHERS AND BOLTS PROVIDED AND TIGHTEN.
 5. ADJUST SUPPORT LEGS SO THE EXTENSION SLOPES SLIGHTLY TOWARD THE FAN. TIGHTEN THE NUTS FROM STEP 1.
 6. SCREW THE SUPPORT LEG FLANGES INTO THE ROOF (SCREWS NOT PROVIDED).



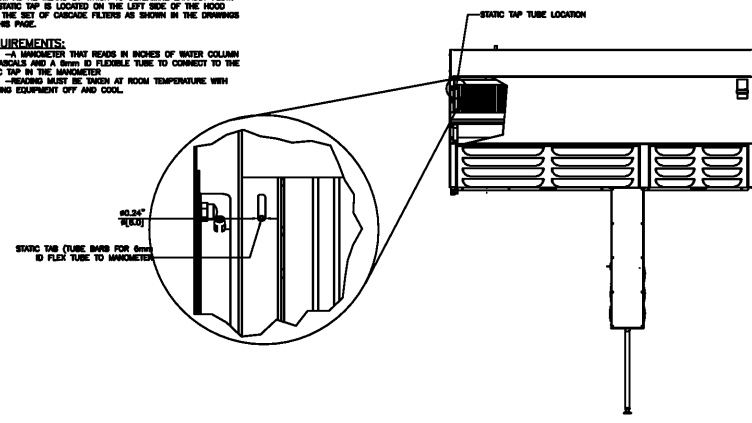
3 METAL-FAB DETAIL
SCALE: NO SCALE

UL LISTING NUMBERS FOR 0" CLEARANCE TO COMBUSTIBLES:
- 1978
- 2221
- FILE# MH25506



Order Plans

CONFIRMING THE EXHAUST HOOD AIR VOLUME
FRANCO RECOMMENDS MEASURING THE STATIC PRESSURE IN THE PLUMB AS HE MOUNTS BY BRUSH TO ESTIMATE EXHAUST FLOW. THE STATIC TAP IS LOCATED ON THE LEFT SIDE OF THE HOOD NEAR THE SET OF CARBIDE FILTERS AS SHOWN IN THE DRAWING ON THIS PAGE.
REQUIREMENTS:
- A MANOMETER THAT READS IN INCHES OF WATER COLUMN OR PASCALS AND A BRUSH IS FLEXIBLE TUBE TO CONNECT TO THE STATIC TAP IN THE MANOMETER.
- READINGS MUST BE TAKEN AT ROOM TEMPERATURE WITH COOKING EQUIPMENT OFF AND COOL.



4 EXHAUST VOLUME CONFIRMATION
SCALE: NO SCALE

CONTROL MATRIX						
IF:	THEN:					
CONDITION	EXHAUST FAN	ELECTRIC POWER TO COOKING EQUIPMENT	MECHANICAL GAS VALVE	HVAC UNITS	MAKE-UP AIR UNITS (IF AVAILABLE)	NOTES
FAN SWITCH IS TURNED ON	ON	ON	ON	ON	ON	HVAC MUST BE ON FOR EXHAUST FAN TO OPERATE
FAN SWITCH IS TURNED OFF	OFF	OFF	ON	ON	OFF	
FIRE SUPPRESSION DISCHARGES	ON	OFF	OFF	OFF	OFF	
FAN BELT IS SLIPPING	ON	OFF	ON	ON	OFF	POWER TO COOKING EQ. OFF VIA CURRENT SENSOR
FAN BELT IS BROKEN	ON	OFF	ON	ON	OFF	POWER TO COOKING EQ. OFF VIA CURRENT SENSOR
LOSS OF POWER	OFF	OFF	ON	OFF	OFF	
HVAC IS SWITCHED OFF	OFF	OFF	ON	OFF	OFF	

5 CONTROL MATRIX
SCALE: NO SCALE

© Copyright 2019- Drawings, specifications, notes, database, computer files, field data, and reports as instruments of service prepared by the Design of Record. As instruments of services, these items remain the property of the Design of Record, who shall retain all statutory and other reserved rights, including the copyright thereto. Any use, reproduction or changes to these documents without written consent of NCA Consultants is a violation of federal copyright laws.