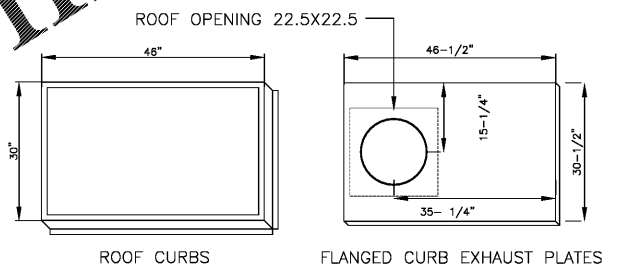
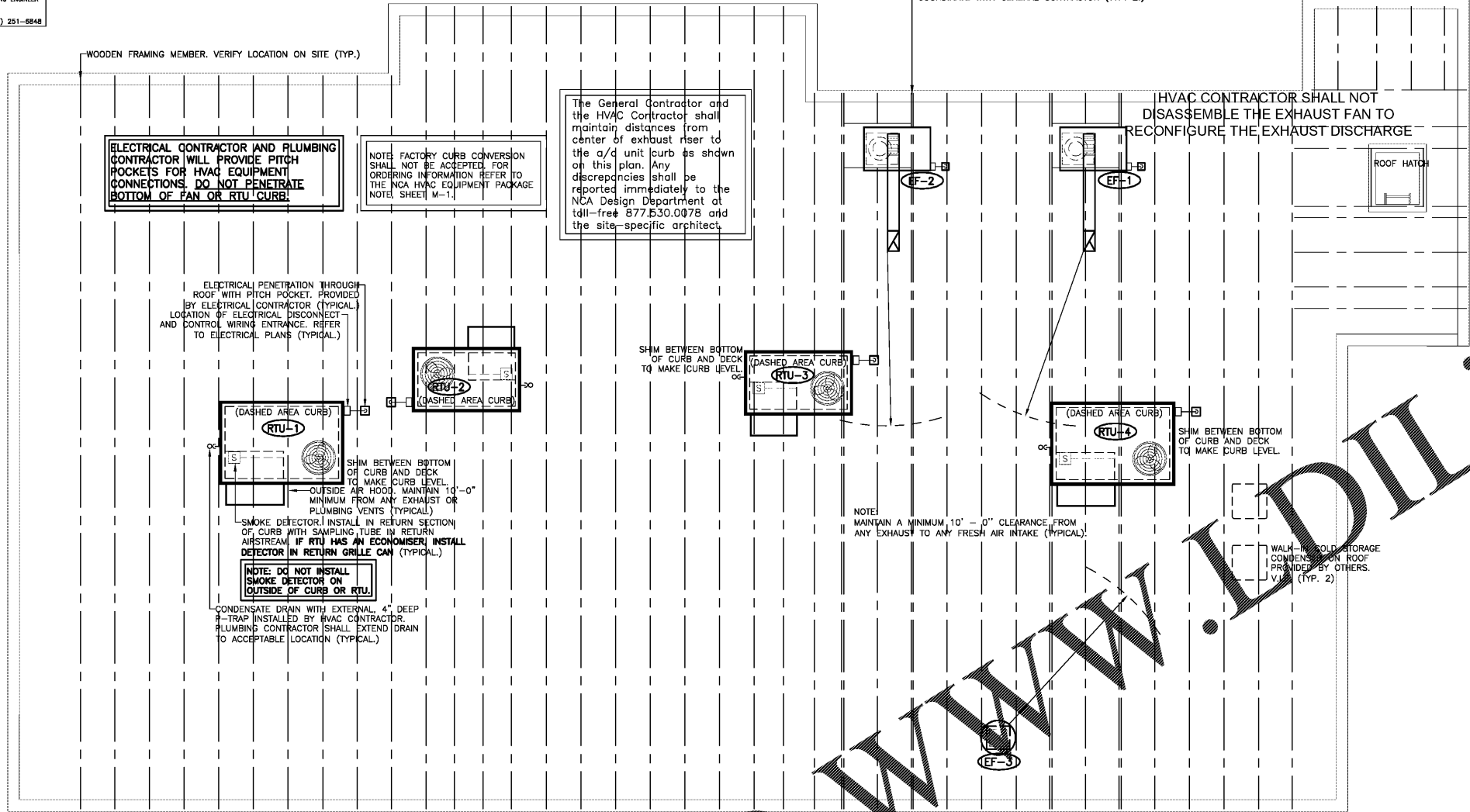


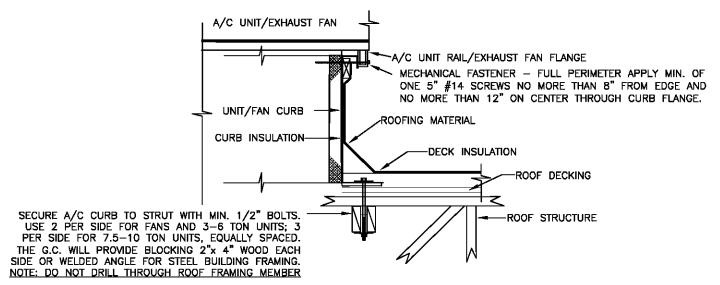
NOTE: EXCLUDING THE DUCT THAT SHIPS WITH THE HOODS, THE EXHAUST RISERS CANNOT HAVE ADDITIONAL "FIELD" OFFSETS. TRUSSES CLOSEST TO THE EXHAUST RISERS MUST BE SPACED SO THAT NO ADDITIONAL OFFSETS ARE NEEDED. FIELD VERIFY AND COORDINATE WITH GENERAL CONTRACTOR (TYP. 2.)

DRAWING INFORMATION		
DATE	DESCRIPTION	BY
03-08-19	FOR CONSTRUCTION	KM
04-03-19	UPDATED	KM

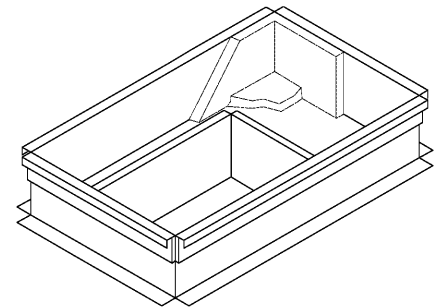
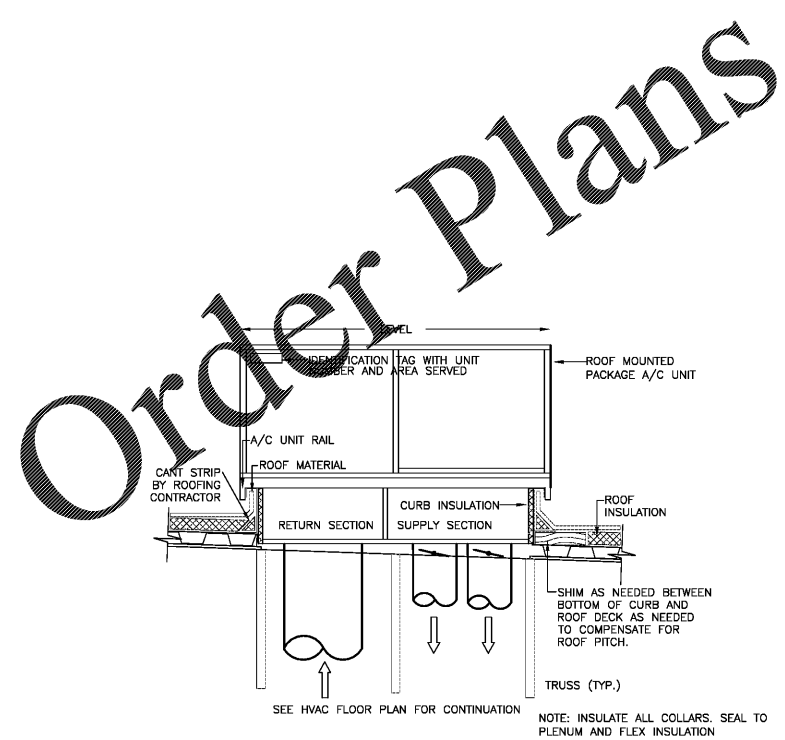
NCA
CONSULTANTS / GROUP
4585 140TH AVE. NORTH, SUITE #1001
CLEARWATER, FLORIDA
PHONE: (877) 530-0078
CALL NCA MARKETING FOR PRICING
NCA JOB# 19319



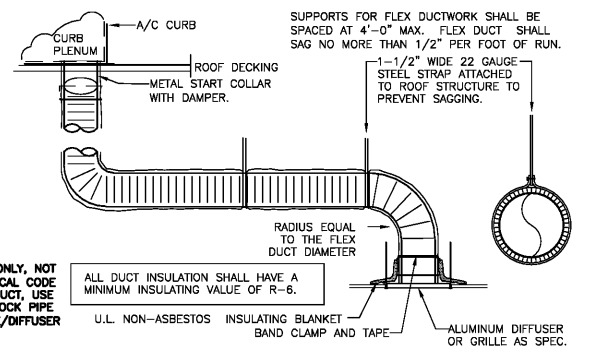
EXHAUST FAN CURB/CURB PLATE
NOT TO SCALE



ACCEPTABLE FOR 140 MPH ZONE
ROOF EQUIP. CURB MOUNTING DETAIL
NOT TO SCALE



NCA PLENUMIZED AC CURB DETAIL
NOT TO SCALE



DUCT SCHEDULE	
SIZE	GAUGE
6" - 8"	28
10" - 12"	26
14" - 16"	24
18" - 20"	22

FLEXDUCT CONNECTION/INSTALL DETAIL
NOT TO SCALE

© Copyright 2019- Drawings, specifications, notes, database, computer files, field data, and reports as instruments of service prepared by the Design of Record. As instruments of services, these items remain the property of the Design of Record, who shall retain all statutory and other reserved rights, including the copyright thereto. Any use, reproduction or changes to these documents without written consent of NCA Consultants is a violation of federal copyright laws.

Order Plans @

WWW.IDILine.com

NO.	DATE	REVISION



PREMIER KINGS, INC.
5529 CARRISCHAL ROAD
MONTGOMERY, ALABAMA 36117
PHONE: (205) 833-1778
FAX: (205) 833-1778
WWW.PREMIERKINGS.COM

2126 Morris Avenue
Birmingham, AL 35203
Phone: (205) 322-1751
Fax: (205) 322-1778
Email: info@huckstein.com
www.huckstein.com

huckstein architects, PC
architecture • planning • interior design

SHANE HAMILTON, P.E.
1717 N. HOWARD AVE. TAMPA, FL
GEORGIA LICENSE #PE041331

Shane Hamilton
REGISTERED PROFESSIONAL ENGINEER
04/09/18
SHANE HAMILTON

PROJECT #: 18026.24
RCC-60 TALL 20 INCH NOVEMBER 2018 DESIGN RELEASE
BURGER KING RESTAURANT
NEAR CORNER OF HWY 82 & JACKSON ST.
NAHUNTA, GA