

This drawing contains proprietary information by Seating Concepts. Unauthorized use or reproduction is prohibited without expressed written consent of Seating Concepts.

Project Contacts:

Please contact one of the following Seating Concepts team members to address any concerns you may have:

Customer Service: 815.730.7980
 Krista Bagley - Manager x 2219
 Cheri Salamon x 2224
 Lorna Cullison x 2246
 Kerry Studer x 2223

Interior Design: 815.730.7980
 Samantha Uthe - Director x 2251
 Deborah Paulik x 2262
 Tyler Rodgers x 2211



PROJECT:	Garden Grill
LOCATION:	Nahunta, GA
ADDRESS:	TBD
STORE #:	TBD
DESIGNER:	Tyler Rodgers
CSR:	--
SALES MANAGER:	Jeff Allison

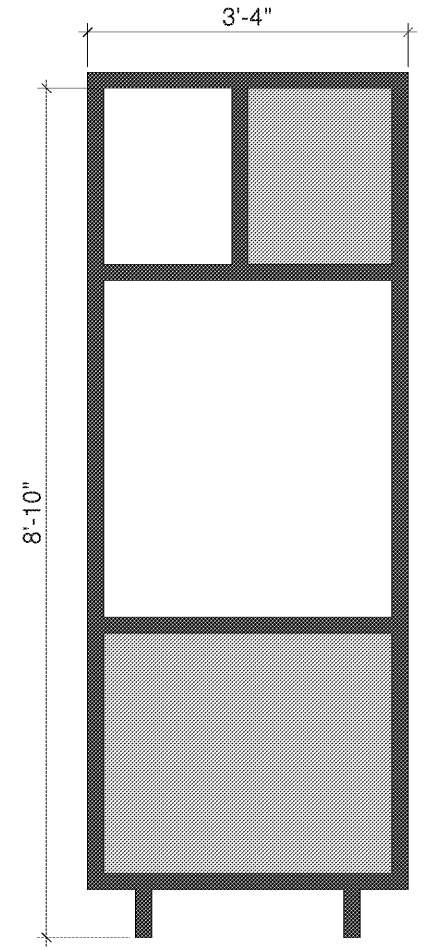
START DATE: 3-25-19

REVISION HISTORY			
DATE	#	DESCRIPTION	XY
4-5-19	1	Revised Wall Legend	TR

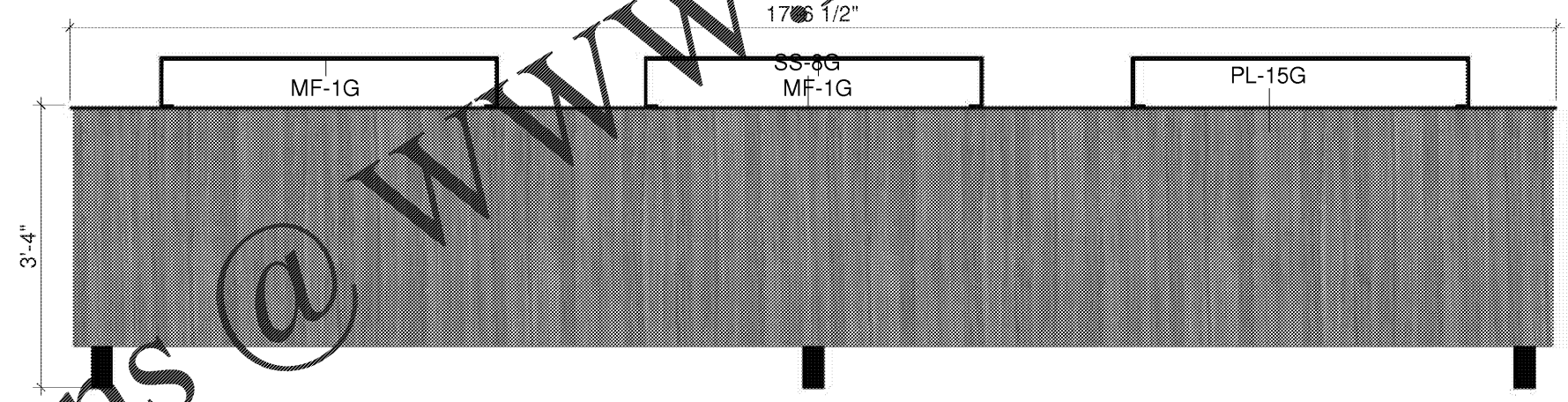
SHEET TITLE: Furniture Elevations

ID-7.2

11 x 17 SIZE FORMAT



① Divider Screen
1/2" = 1'-0"



② Divider Wall
1/2" = 1'-0"

Order Plans @ WWW.LDILine.com