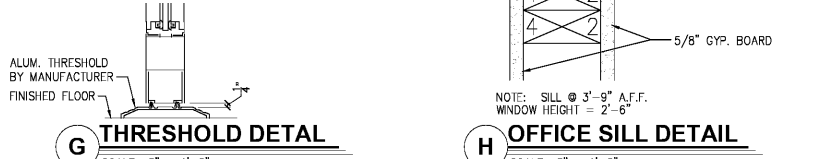
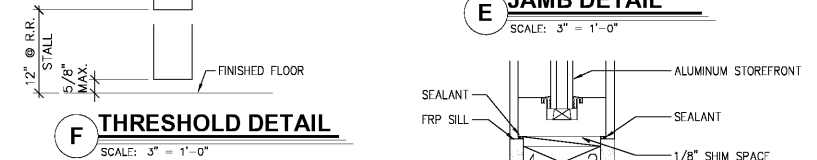
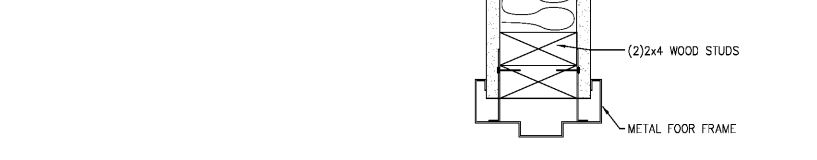
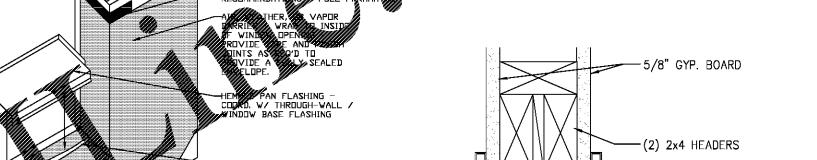
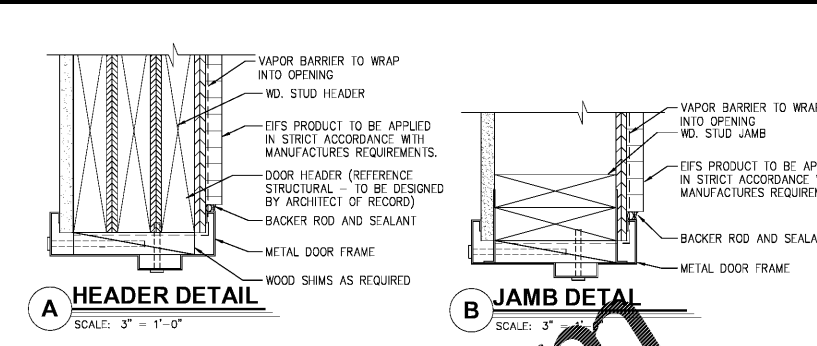
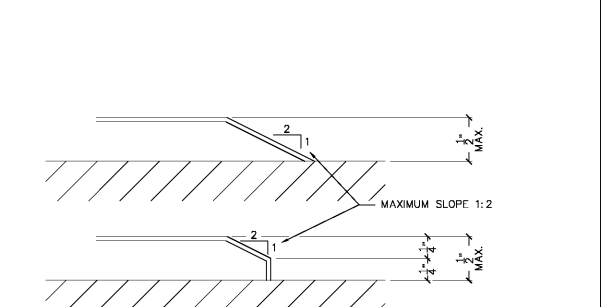


ALL GLAZING TO BE CLEAR ANODIZED ALUMINUM STOREFRONT W/ 1" INSULATED GLAZING W/ LOW-E COATING - BASIS OF DESIGN.

WINDOWS - KAMMEER TRIFAB 4511 STOREFRONT W/ VIRO SOLARBAN 70 GLAZING  
DOORS - KAMMEER 160 NARROW STILLE DOOR SINGLE-PANE: VIRO GLAZING



**Specified Products and Approved Equals**

**Hinges - Provide features, functions, size and finish as shown in hardware sets.**

HAGER	BB1279	BB1168	253
MCKINNEY	TA2714	TA4376G	
BOUMKER	BB5000	BB5004	

**Locks - Provide features, functions and finish as shown in hardware sets.**

FALCON - DEADLOCK	D971		NO SUBSTITUTIONS
SCHLAGE	AL53PD	AL40S	
YALE	AU5307LN	AU5302LN	
FALCON	B511D	B301D	

**Exit Device - Provide features, functions and finish as shown in hardware sets.**

VON DUPRIN	22 ED		
YALE	2100 ED		
SARGENT	3826 ED		

**Closers - Provide features, functions and finish as shown in hardware sets.**

LCN	11461	4115 R-CUSH	
YALE	3301	4425T 1/4421T	
DORMA	2616	2916 DST / 2956 DST	

**Push/Pull, KP, Stops, Etc. - Provide features, functions, size and finish as shown in hardware sets.**

HAGER	RICKPLT 1935	FULL PLT H33E	PUSH PLT 305	FL STOP 241F	WALL STOP 236W	VIEWER 1756
ROCKWOOD	K1050 B3E	B1016 X 70C	70C	441CU	409	622
TRIMCO	K0050	1017-342 1/2 PROJ.	1001-3	1211	1270WV	976U

**Weatherstripping, Thresholds, Etc. - provide features, functions, size and finish as shown in hardware sets.**

NATIONAL GUARD	THRESHOLD 325A	SWEEP 200NA	WEATHERSTRIP 1605A
FEMKO	229A	315CN	303AS
ZERO	1675A	39A	99A

DRAWN BY: MRW  
NO. DATE: 04.11.19  
CHECKED BY: ENR, MRW  
DATE: 04.11.19  
REVISION  
RELEASED FOR CONSTRUCTION

PREMIER KINGS, INC.  
5529 CARMICHAEL ROAD  
MONTGOMERY, ALABAMA 36117  
PHONE: (205) 833-1111  
WWW.KINGSDOORS.COM

2126 Morris Avenue  
Birmingham, AL 35203  
Phone: (205) 329-1751  
Fax: (205) 329-1752  
www.jamesm.huckestein.com

**James M. Huckestein**  
architect AIA  
architecture • planning • interior design

STATE OF GEORGIA  
JAMES M. HUCKESTEIN  
REGISTERED ARCHITECT  
04/11/19

PROJECT: #18026.24  
R0C-60 TALL 20/20 IMAGE: NOVEMBER 2018 DESIGN RELEASE  
**BURGER KING RESTAURANT**  
NEAR CORNER OF HWY 82 & JACKSON ST.  
MAHANTA, GA

DOOR SCHEDULE AND DETAILS

**A-10**