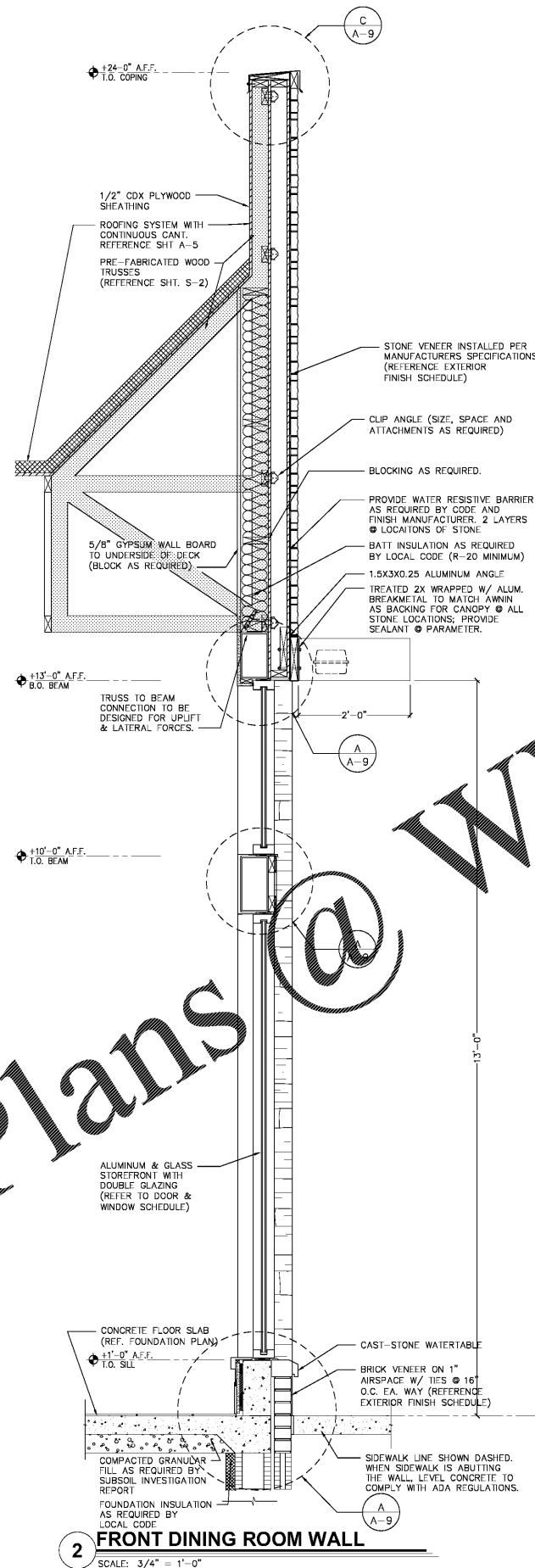
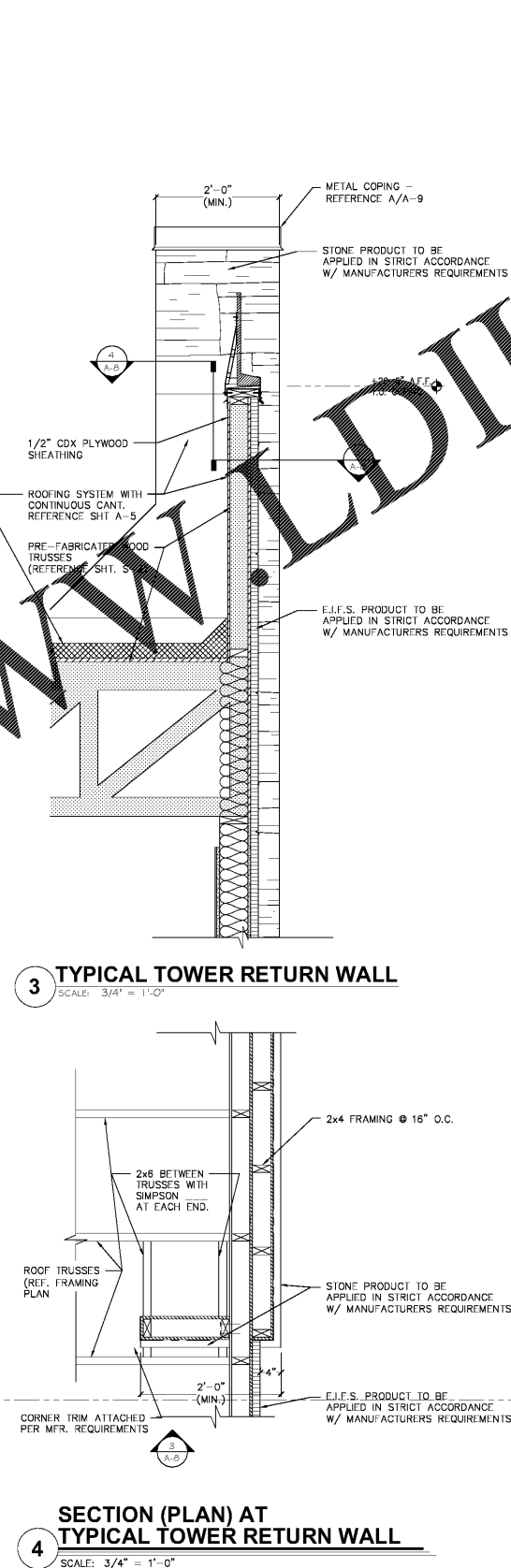


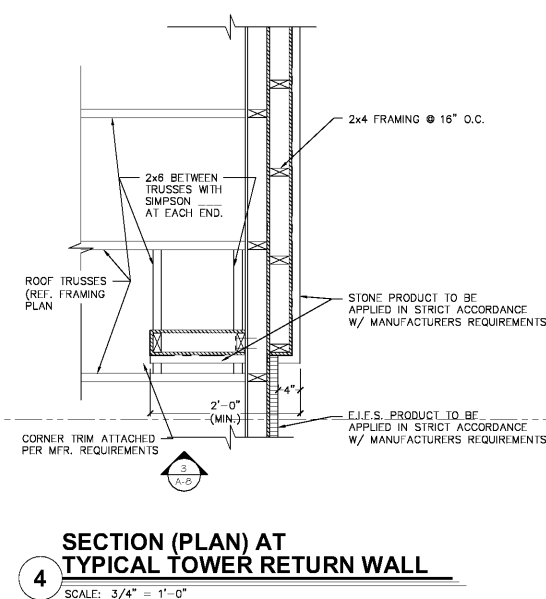
**1 DRIVE-THROUGH WINDOW WALL**  
SCALE: 3/4" = 1'-0"



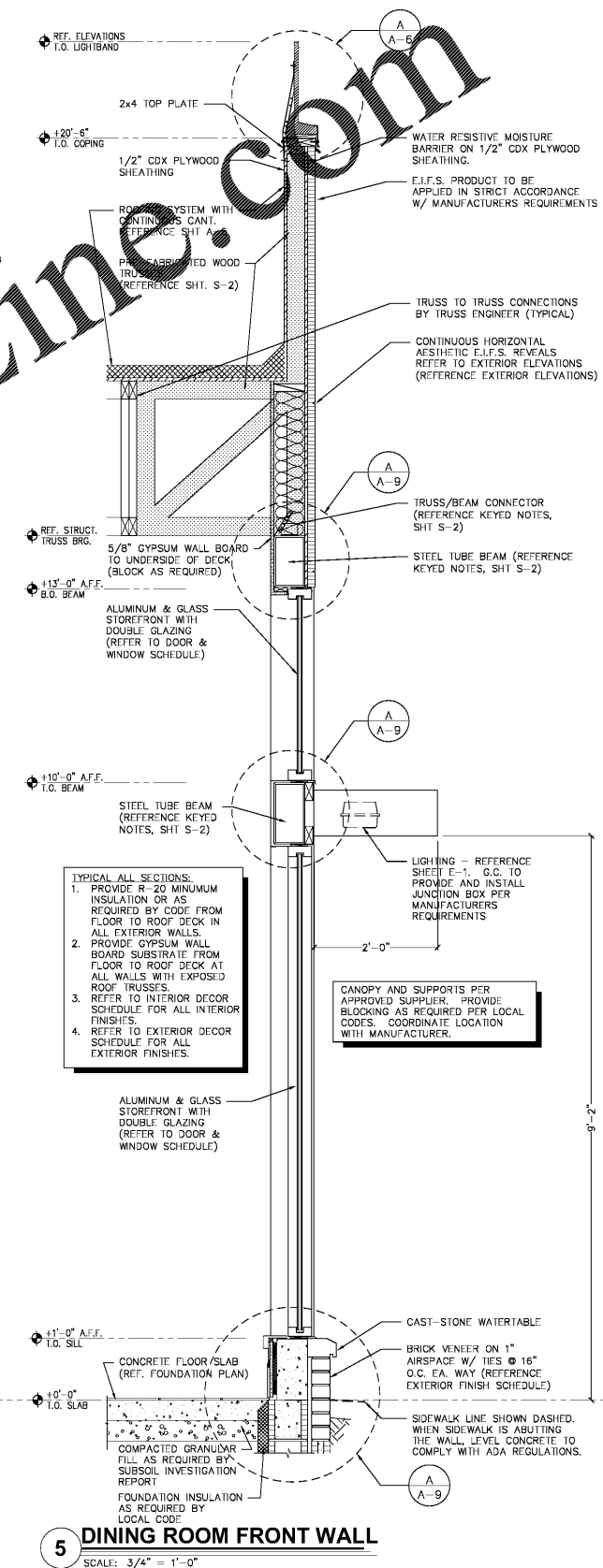
**2 FRONT DINING ROOM WALL**  
SCALE: 3/4" = 1'-0"



**3 TYPICAL TOWER RETURN WALL**  
SCALE: 3/4" = 1'-0"



**4 SECTION (PLAN) AT TYPICAL TOWER RETURN WALL**  
SCALE: 3/4" = 1'-0"



**5 DINING ROOM FRONT WALL**  
SCALE: 3/4" = 1'-0"

**Order Plans**

**WWW.DIline.com**

- TYPICAL ALL SECTIONS:**
1. PROVIDE R-20 MINIMUM INSULATION OR AS REQUIRED BY CODE FROM FLOOR TO ROOF DECK IN ALL EXTERIOR WALLS.
  2. PROVIDE GYPSUM WALL BOARD SUBSTRATE FROM FLOOR TO ROOF DECK AT ALL WALLS WITH EXPOSED ROOF TRUSSES.
  3. REFER TO INTERIOR DECOR SCHEDULE FOR ALL INTERIOR FINISHES.
  4. REFER TO EXTERIOR DECOR SCHEDULE FOR ALL EXTERIOR FINISHES.

CANOPY AND SUPPORTS PER APPROVED SUPPLIER. PROVIDE BLOCKING AS REQUIRED PER LOCAL CODES. COORDINATE LOCATION WITH MANUFACTURER.

CHECKED BY: ENR, MRW DATE: 04/11/19  
 REVISION  
 RELEASED FOR CONSTRUCTION  
 NO. DATE  
 04/11/19

**BURGER KING**  
 PREMIER KINGS, INC.  
 5529 CARMICHAEL ROAD  
 MONTGOMERY, ALABAMA 36117  
 PHONE: (205) 329-7251  
 FAX: (205) 329-7252  
 WWW.BK.COM

2126 Morris Avenue  
 Birmingham, AL 35203  
 Phone: (205) 329-7251  
 Fax: (205) 329-7252  
 www.hjckstn.com

**James M. Huckestein**  
 architect AIA  
 architecture • planning • interior design

PROJECT: #18026.24  
 RDC-60 TALL 20/20 IMAGE: NOVEMBER 2018 DESIGN RELEASE  
**BURGER KING RESTAURANT**  
 NEAR CORNER OF HWY 82 & JACKSON ST.  
 MAHANTA, GA  
 WALL SECTIONS  
**A-8**