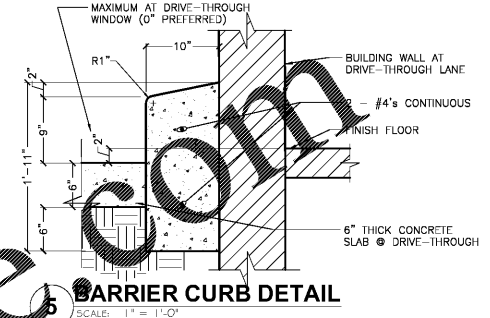
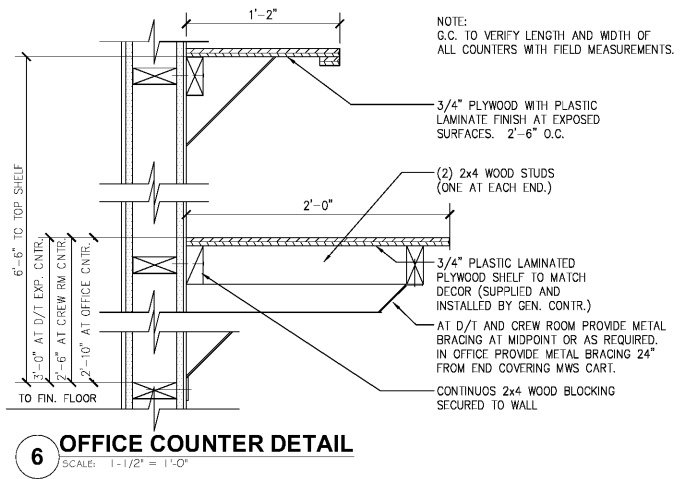


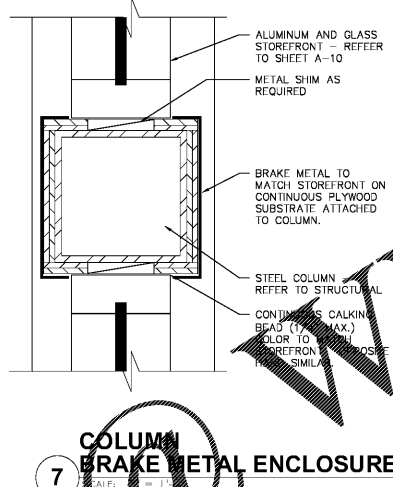
4 CORNER GUARD & END-CAP DETAILS  
SCALE: 1 1/2" = 1'-0"



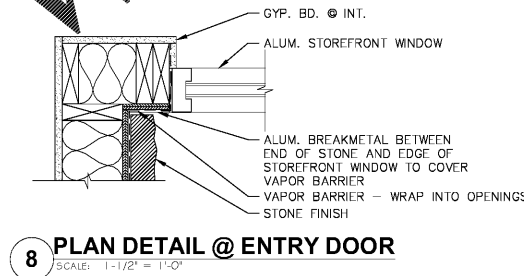
5 BARRIER CURB DETAIL  
SCALE: 1" = 1'-0"



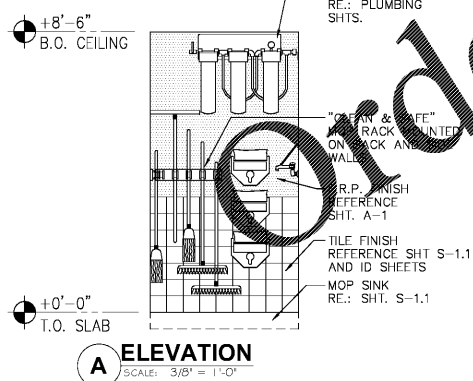
6 OFFICE COUNTER DETAIL  
SCALE: 1-1/2" = 1'-0"



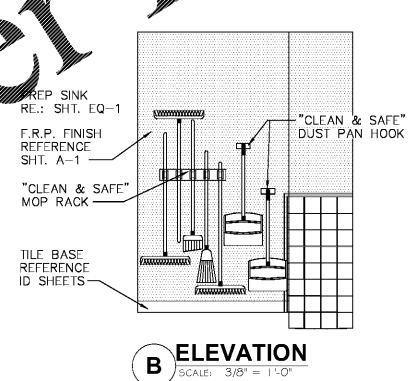
7 COLUMN BRAKE METAL ENCLOSURE  
SCALE: 1" = 1'-0"



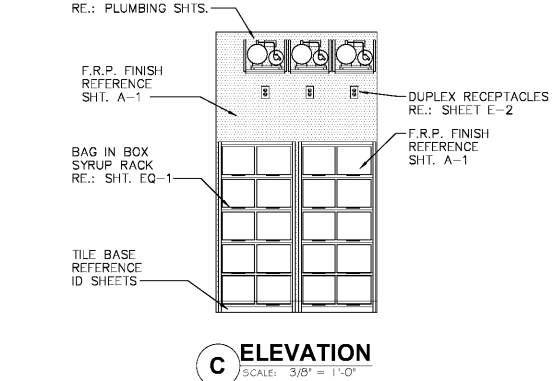
8 PLAN DETAIL @ ENTRY DOOR  
SCALE: 1-1/2" = 1'-0"



A ELEVATION  
SCALE: 3/8" = 1'-0"



B ELEVATION  
SCALE: 3/8" = 1'-0"



C ELEVATION  
SCALE: 3/8" = 1'-0"

Order Plans @

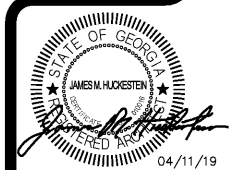
www.LDILine.com

NO.	DATE	REVISION	DATE

**BURGER KING**  
PREMIER KINGS, INC.  
5529 CARMICHAEL ROAD  
MONTGOMERY, ALABAMA 36117  
PHONE: 205.833.1111  
WWW.BKALABAMA.COM

2126 Morris Avenue  
Birmingham, AL 35203  
Phone: (205) 329-1751  
Fax: (205) 329-1752  
www.hpluhba.com

**James M. Huckestein**  
architect, AIA  
architecture • planning • interior design



PROJECT # 18026.24  
RCC-60 TALL 20/20 IMAGE: NOVEMBER 2018 DESIGN RELEASE  
**BURGER KING RESTAURANT**  
NEAR CORNER OF HWY 82 & JACKSON ST.  
MAHUNTA, GA