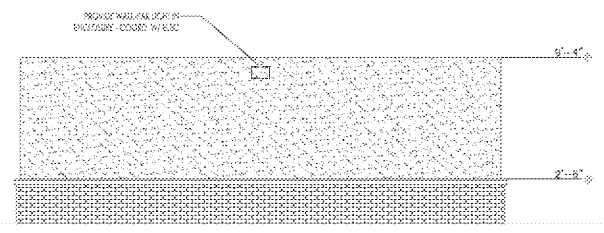
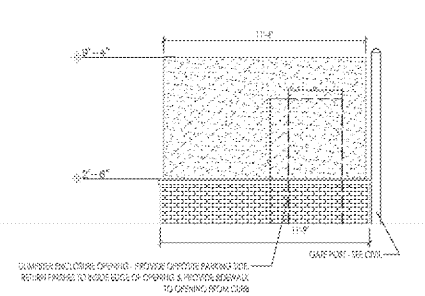


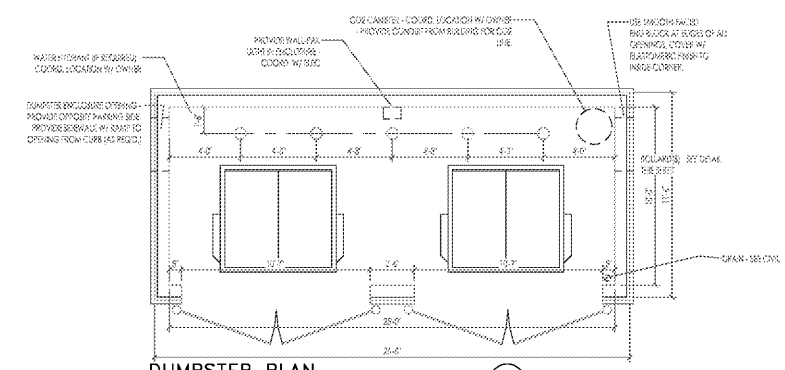
DUMPSTER FRONT ELEVATION  
SCALE: NTS



DUMPSTER REAR ELEVATION  
SCALE: NTS

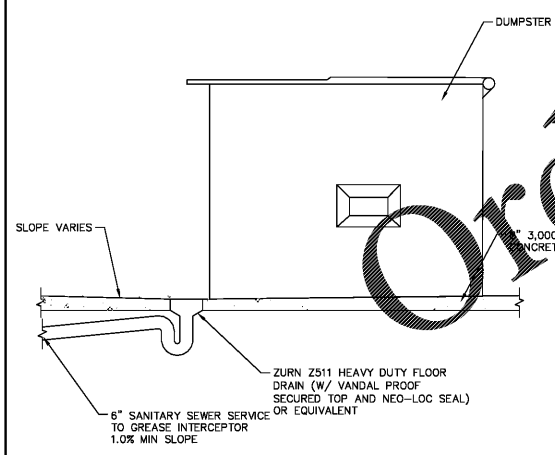


DUMPSTER SIDE ELEV.  
SCALE: NTS



DUMPSTER PLAN  
SCALE: NTS

DUMPSTER PAD DETAIL  
SCALE: N.T.S. SEE ARCHITECTURAL PLAN FOR DETAILS



DUMPSTER AREA DRAIN DETAIL  
SCALE: N.T.S.

**ZURN Z511 HEAVY-DUTY DRAIN**

ENGINEERING SPECIFICATION: ZURN Z511  
9 [229] Diameter top drain, Dura-Coated cast iron deep sump body with bottom outlet, seepage pin and combination membrane flashing clamp and frame for heavy-duty cast iron deep flange grate.

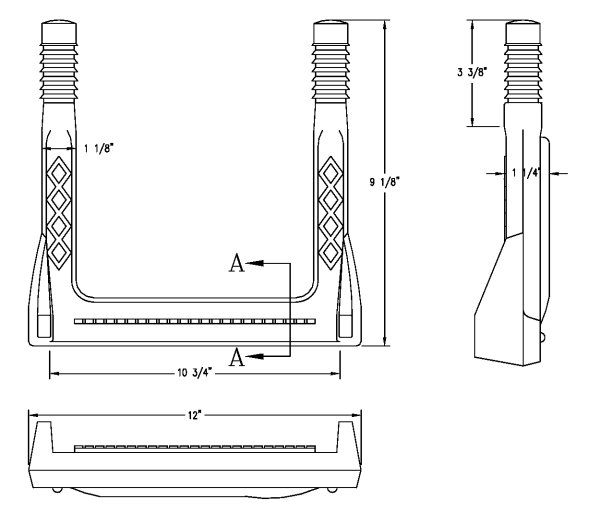
PIPE SIZE	Approx. Wt. (Lbs.)	Approx. Vol. (Cu. Ft.)	Approx. Area (Sq. Ft.)
2-1/2 [76.2]	11.0	0.11	1.1
3-1/2 [91.4]	17.0	0.17	1.7
4-1/2 [114.3]	25.0	0.25	2.5
5-1/2 [141.3]	35.0	0.35	3.5
6-1/2 [167.6]	47.0	0.47	4.7
7-1/2 [193.0]	60.0	0.60	6.0
8-1/2 [218.4]	75.0	0.75	7.5
9-1/2 [243.8]	90.0	0.90	9.0

OPTIONS (Check/Specify appropriate options):

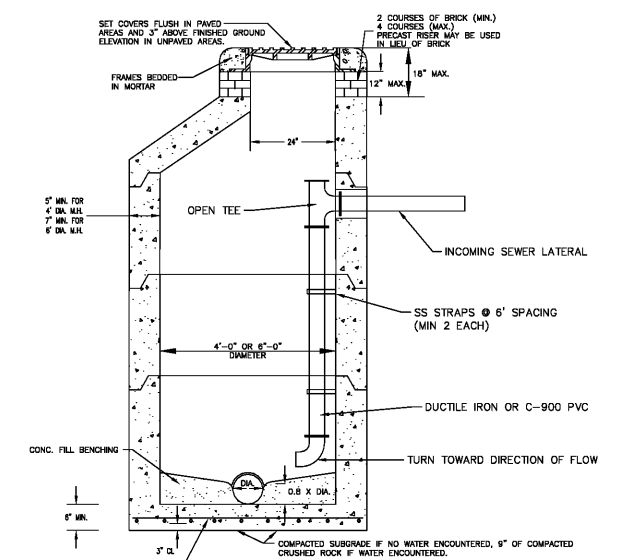
- IC Inside Casisk
- IS Inside Sasket
- KL Neo-Loc
- IP Threaded
- TC Neo-Loc Test Cap Gasket (2 [51] 4 [102] Nil. Bottom Outlet Only)
- TS Top Secured with Slotted Screws
- W Backwater Valve (For 3 & 4 [76-102] IC & IP or 3" IG Connections only)
- W Winter Closure Plug (For 3 & 4 [76-102] IC & IP or 3" IG Connections only)
- Y Sediment Bucket

REV. H DATE: 08/15/11 C.N. NO. 121415  
DWG. NO. 58926 PRODUCT NO. Z511

ZURN Z511 AREA DRAIN DETAIL  
SCALE: N.T.S.



MANHOLE STEP DETAIL  
SCALE: N.T.S.



INSIDE DROP SEWER MANHOLE DETAIL  
SCALE: N.T.S.

SPECIFIC DEVELOPMENT  
PLAN FOR BURGER KING  
NAHANTA, GEORGIA

SHEET NAME: DETAILS

REVISIONS:

1.	
2.	
3.	
4.	
5.	
6.	
7.	
8.	
9.	
10.	

INITIAL DATE: 4/01/2019  
DRAWN BY: BDP  
CHECKED BY: TR L  
PROJECT #: 2018-147

SHEET NUMBER:  
C-10

WWW.LDILine.com

T. R. Long Engineering, P.C.  
SAVANNAH  
306 Commercial Drive  
Savannah, Georgia 31406  
Office (912) 335-1046

HINESVILLE  
114 North Commerce St.  
Hinesville, Georgia 31313  
Office (912) 368-5664

www.trlongeng.com