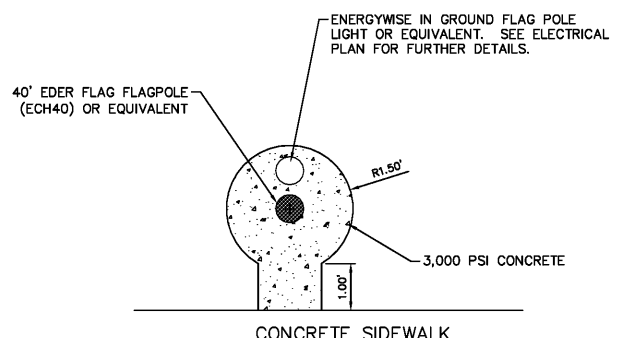


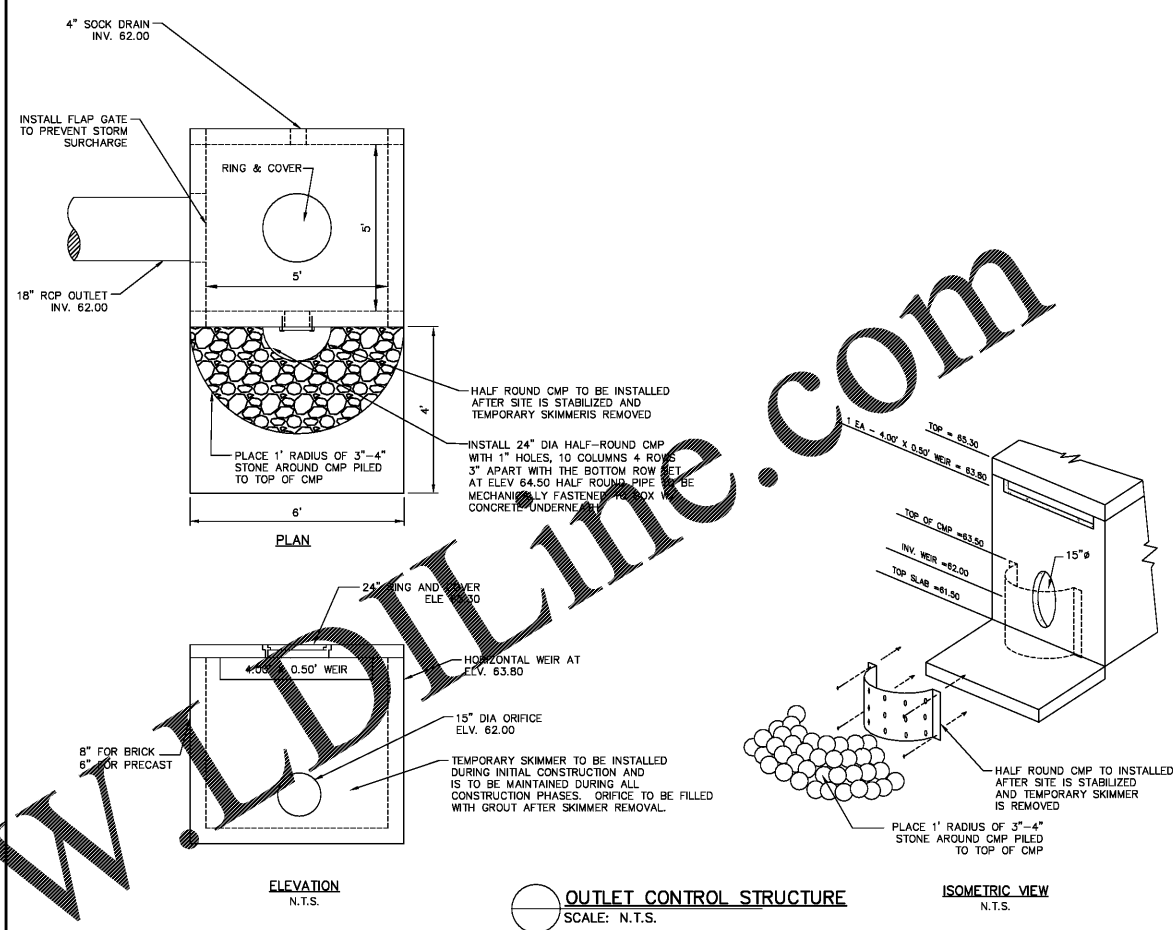
NOTES:  
1. MANHOLE RING AND COVER SHALL BE U.S. FOUNDRY 170-E. LD TO BE LETTERED "STORM" (NOT VENTED)

**HEAVY DUTY 24" STORM MANHOLE RING & COVER**  
SCALE: N.T.S.



NOTE:  
• THE FLAGPOLE SHALL BE RATED TO MEET OR EXCEED THE REQUIRED WINDSPEEDS FOR THE AREA.  
• INSTALL THE FLAGPOLE AND LIGHT AS PER MANUFACTURE SPECIFICATIONS.

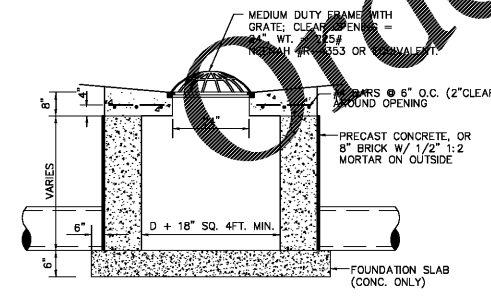
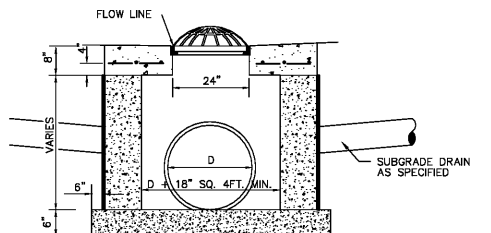
**FLAG POLE DETAIL**  
SCALE: N.T.S.



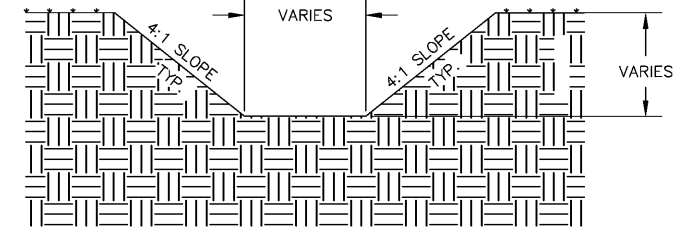
**ELEVATION**  
N.T.S.

**OUTLET CONTROL STRUCTURE**  
SCALE: N.T.S.

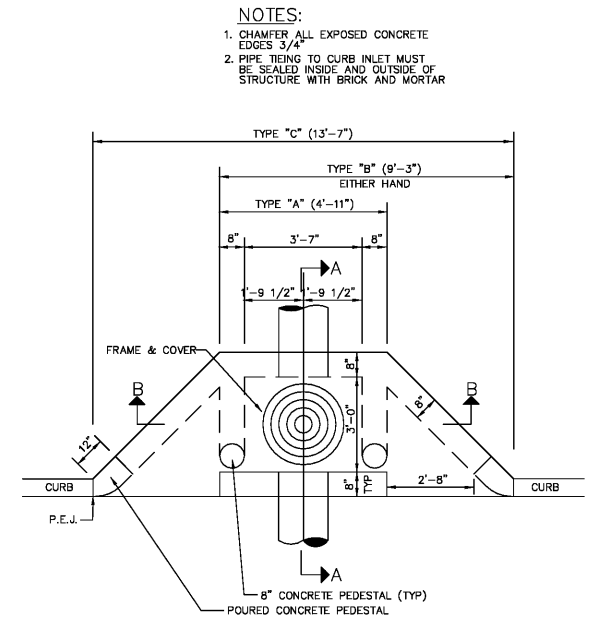
**ISOMETRIC VIEW**  
N.T.S.



**YARD DRAIN DETAIL**  
SCALE: N.T.S.

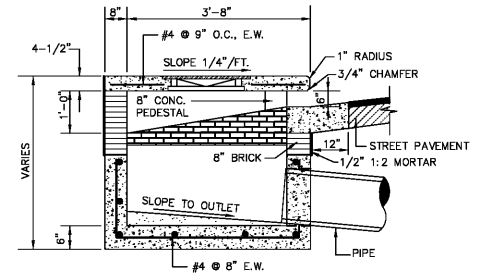


**TYPICAL DITCH DETAIL**  
SCALE: N.T.S.

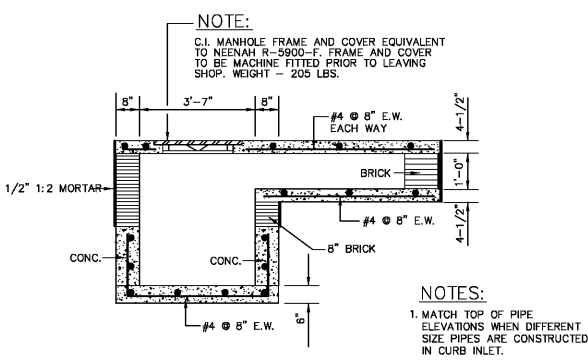


NOTE:  
FRAME AND COVER TO BE NENAH FOUNDRY COMPANY CATALOG NO. R-5900-F, OR EQUIVALENT WEIGHT 205#

**PLAN OF CURB INLET**  
N.T.S.



**CURB INLET - SECTION A-A**  
N.T.S.



**CURB INLET SECTION B-B**  
N.T.S.

NOTE:  
1. MATCH TOP OF PIPE ELEVATIONS WHEN DIFFERENT SIZE PIPES ARE CONSTRUCTED IN CURB INLET.  
2. TYPE "B" INLET SHOWN

**CURB INLET DETAIL**  
SCALE: N.T.S.



THIS DRAWING IS THE PROPERTY OF T. R. LONG ENGINEERING, P.C. AND MAY NOT BE REPRODUCED, COPIED, OR TRANSMITTED IN ANY MANNER WITHOUT THE EXPRESS WRITTEN PERMISSION OF T. R. LONG ENGINEERING, P.C.



**T. R. Long Engineering, P.C.**  
SAVANNAH  
306 Commercial Drive  
Savannah, Georgia 31406  
Office (912) 335-1046  
  
HINESVILLE  
114 North Commerce St.  
Hinesville, Georgia 31313  
Office (912) 368-5664  
  
www.trlongeng.com

**SPECIFIC DEVELOPMENT PLAN FOR BURGER KING NAHANTA, GEORGIA**

SHEET NAME: DETAILS	
REVISIONS:	
1.	
2.	
3.	
4.	
5.	
6.	
7.	
8.	
9.	
10.	
INITIAL DATE: 4/01/2019 DRAWN BY: BDP CHECKED BY: TRL PROJECT #: 2019-147	
SHEET NUMBER: C-08	