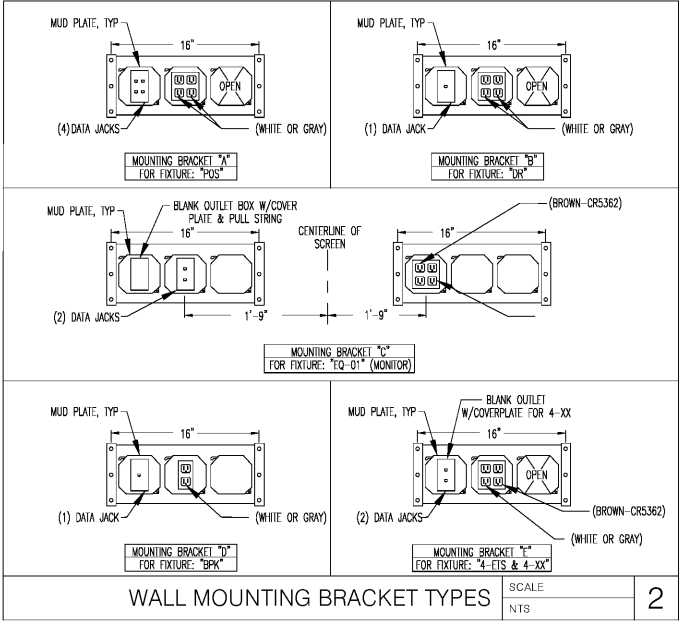


- GENERAL POWER NOTES**
1. FOLLOW TENANT PANEL SCHEDULE.
 2. ALL EMPTY CONDUITS MUST HAVE PULLWIRES AND BE TAGGED PROPERLY.
 3. THE BACK ALL LOOSE WIRING (INCLUDING LOW VOLTAGE) IN AN ORDERLY FASHION.
 4. AVOID RUNNING LOW VOLTAGE WIRE OVER HIGH VOLTAGE WIRING OR LIGHT FIXTURES.
 5. PROPERLY CONCEAL WIRING AT THE POS AND FURNITURE.
 6. PROVIDE CONDUIT FOR ALL WIRING, INCLUDING BUT NOT LIMITED TO: CONTROL, FIRE ALARM, POWER AND COMMUNICATION WIRING. COORDINATE INSTALLATION AND ROUTING REQUIREMENTS WITH APPROPRIATE INSTALLER(S).
 7. PROVIDE SINGLE GANG PLASTER FLANGES FOR ALL TELEPHONE AND DATA OUTLET LOCATIONS AT SPECIFIED HEIGHT.
 8. COORDINATE ALL CONDUIT NEEDS WITH LOW VOLTAGE VENDOR THROUGHOUT THE STORE.
 9. ALL DATA CONDUITS TO BE ROUTED TO ABOVE CEILING HEIGHT WITH PROTECTIVE BUSHINGS AND FURNISHED WITH A PULL STRING.

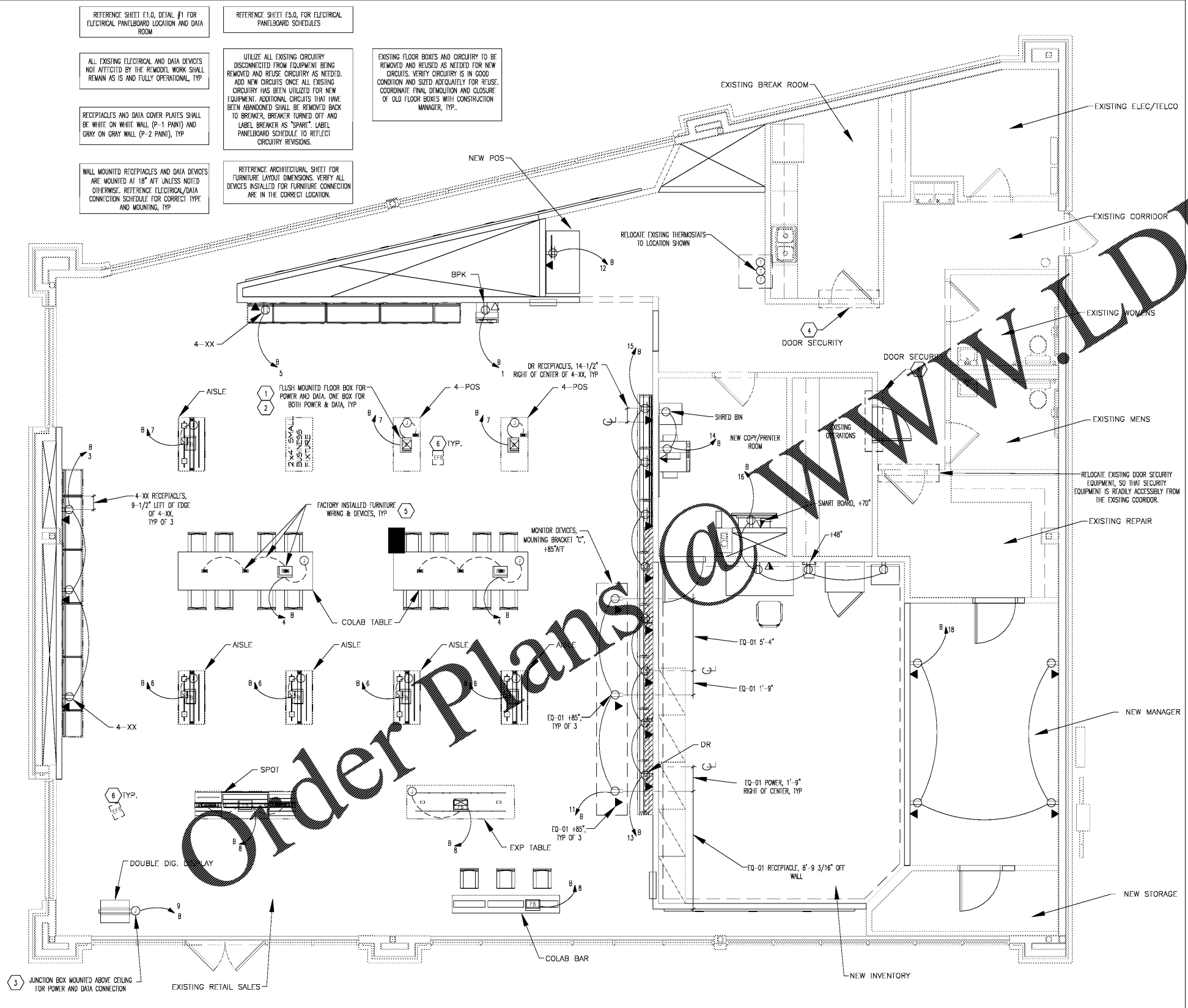
- POWER & DATA KEY NOTES**
1. ALIGN FLOOR BOX WITH FURNITURE BASE. PLACE COVER HIDDEN FROM SIGHT. COORDINATE INSTALLATION WITH CONSTRUCTION MANAGER.
 2. FURNISH AND INSTALL 2 GANG HUBBELL WALL FLOOR BOX (CAT. #32422). FLUSH MOUNTED IN SLAB TO BE INSTALLED FOR BOX INSTALLATION. FURNISH AND INSTALL POWER & DATA COVER PLATE AS REQUIRED FOR POWER AND DATA CONNECTIONS. COORDINATE INSTALLATION AND ROUTING OF CONDUIT WITH CONSTRUCTION MANAGER.
 3. TO RUN AND INSTALL ABOVE CEILING FOR FINAL POWER AND DATA CONNECTIONS TO ANY DATE. FURNISH AND INSTALL FLEXIBLE ELECTRICAL CONNECTION CORD AND DATA CABLE AS NEEDED FOR FINAL CONNECTIONS AND PER MANUFACTURER REQUIREMENTS. COORDINATE INSTALLATION WITH CONSTRUCTION MANAGER.
 4. PROVIDE AND INSTALL CONDUIT AND ELECTRICAL BOXES FOR SECURITY DOOR CONTROLS. PROVIDE PER MANUFACTURER REQUIREMENTS. COORDINATE ALL EQUIPMENT REQUIRED FOR THE CARD READERS AND DOOR CONTROLS AS NEEDED. COORDINATE WITH CONSTRUCTION MANAGER.
 5. FACTORY INSTALLED J-BOX WITH NEW FURNITURE. MAKE ALL FINAL ELECTRICAL AND DATA CONNECTIONS BETWEEN FLOOR BOX AND FURNITURE AS NEEDED. FURNISH AND INSTALL CONNECTION CORD AND DATA CABLE IN ALL FURNITURE AS NEEDED. COORDINATE INSTALLATION WITH CONSTRUCTION MANAGER.
 6. EXISTING FLOOR BOXES TO BE REMOVED. REFERENCE EXISTING FLOOR BOX TO BE REMOVED BOX NOTE ON PLANS, TYP.



ELECTRICAL/DATA CONNECTION SCHEDULE

FIXTURE TAG	WALL OUTLET TYPE	BRACKET TYPE (SEE SCHEDULE)	UNSWITCHED	DATA CABLES	MOUNTING HEIGHT (AFT)	COMMENTS
DR	QUAD RECEPTACLE	B	X	1	+12"	
EQ-01	QUAD RECEPTACLE	C	X	2	+85"	
BPK	QUAD RECEPTACLE	E	X	FUTURE	+9"	SEE NOTE 1
4-ETS	QUAD RECEPTACLE	E	X	2	+12"	
5-POS	QUAD RECEPTACLE	A	X	4	+18"	
4-XX	DUPLEX RECEPTACLE	D	X	1	+12"	
4-XX (FREESTANDING)	2 GANG FLOOR BOX		X	4' & 12' CORD	2 LENGTH TBD	SEE NOTE 3 & 4
SPOT	2 GANG FLOOR BOX		X	4' CORD	5' LENGTH	SEE NOTE 3 & 4
aisle	2 GANG FLOOR BOX		X	2' CORD	PULL STRING (FUTURE)	SEE NOTE 3 & 4
4-POS	2 GANG FLOOR BOX		X	2' CORD	5' LENGTH	SEE NOTE 3 & 4
COLAB TABLE	2 GANG FLOOR BOX		X	4' CORD	PULL STRING (FUTURE)	SEE NOTE 3 & 4
EXP TABLE	2 GANG FLOOR BOX		X	4' CORD	PULL STRING (FUTURE)	SEE NOTE 3 & 4
KIDS TABLE	2 GANG FLOOR BOX		X	2' CORD	PULL STRING (FUTURE)	SEE NOTE 3 & 4

- NOTES**
1. POWER/DATA OUTLETS SHALL BE INSTALLED FOR EVERY OTHER 4-XX FIXTURE, 96" MAX
 2. NO POWER/DATA REQUIRED FOR ALL 2-XX FIXTURES
 3. CONTRACTOR TO COORDINATE WITH FIXTURE VENDOR TO INSTALL REQUIRED RECEPTACLES IN THE PRE-INSTALLED EMPTY OUTLET BOX
 4. WIRE CORD OR DATA CABLE LENGTH SHOWN ARE MIN. REQUIREMENTS



REFERENCE SHEET E1.0, DETAIL #1 FOR ELECTRICAL PANELBOARD LOCATION AND DATA ROOM

REFERENCE SHEET E5.0, FOR ELECTRICAL PANELBOARD SCHEDULES

ALL EXISTING ELECTRICAL AND DATA DEVICES NOT AFFECTED BY THE REMODEL WORK SHALL REMAIN AS IS AND FULLY OPERATIONAL, TYP.

UTILIZE ALL EXISTING CIRCUITRY DISCONNECTED FROM EQUIPMENT BEING REMOVED AND REUSE CIRCUITRY AS NEEDED. ADD NEW CIRCUITS ONCE ALL EXISTING CIRCUITRY HAS BEEN UTILIZED FOR NEW EQUIPMENT. ADDITIONAL CIRCUITS THAT HAVE BEEN ABANDONED SHALL BE REMOVED BACK TO BREAKER. BREAKER TURNED OFF AND LABEL BREAKER AS "SPARE". LABEL PANELBOARD SCHEDULE TO REFLECT CIRCUITRY REVISIONS.

EXISTING FLOOR BOXES AND CIRCUITRY TO BE REMOVED AND REUSED AS NEEDED FOR NEW CIRCUITS. VERIFY CIRCUITRY IS IN GOOD CONDITION AND SIZED ADEQUATELY FOR REUSE. COORDINATE FINAL DEMOLITION AND CLOSURE OF OLD FLOOR BOXES WITH CONSTRUCTION MANAGER, TYP.

RECEPTACLES AND DATA COVER PLATES SHALL BE WHITE ON WHITE WALL (P-1 PAINT), TYP AND GRAY ON GRAY WALL (P-2 PAINT), TYP

REFERENCE ARCHITECTURAL SHEET FOR FURNITURE LAYOUT DIMENSIONS. VERIFY ALL DEVICES INSTALLED FOR FURNITURE CONNECTION ARE IN THE CORRECT LOCATION.