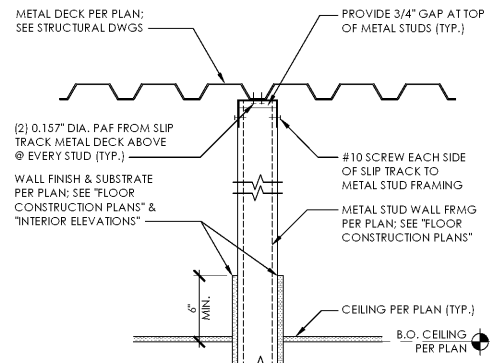
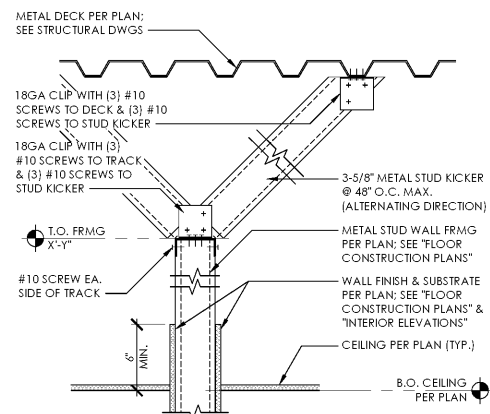


GENERAL FRAMING NOTES

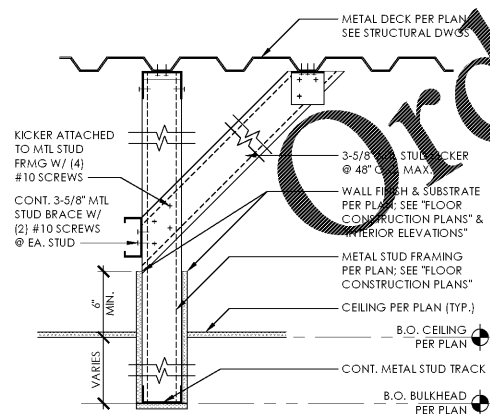
A. ALL STRUCTURAL CONNECTIONS, FRAMING SIZE/ SPACING, BLOCKING, ETC., SHOWN ON THESE SHEETS ARE TO BE VERIFIED WITH STRUCTURAL DRAWINGS (IF INCLUDED/ REQUIRED FOR PERMITS & CONSTRUCTION). METAL STUD GAUGE, SPACINGS, & ATTACHMENT/ CONNECTION DETAILS SHOWN IN THE STRUCTURAL DRAWINGS ARE TO TAKE PRECEDENCE & SUPERCEDE ANY EQUIVALENT INFORMATION ON THIS SHEET.



10 METAL STUD FRAMING CONNECTION DETAIL
SCALE: 1-1/2" = 1'-0"



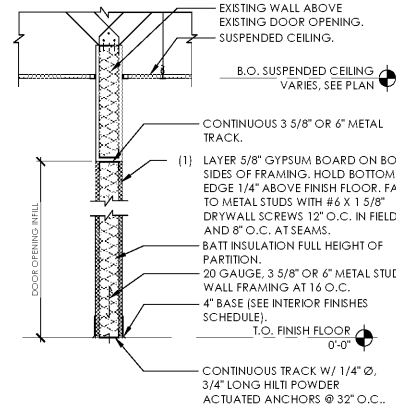
9 METAL STUD FRAMING DIAGONAL BRACING DETAIL
SCALE: 1-1/2" = 1'-0"



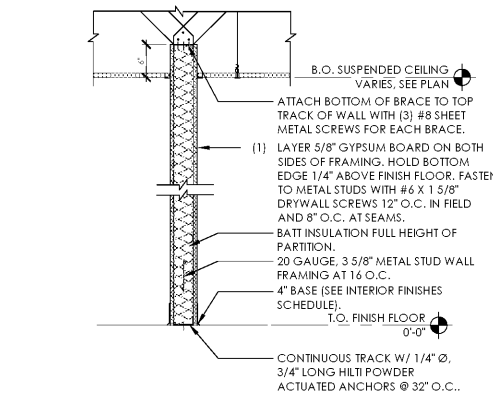
8 METAL STUD FRAMING @ BULKHEAD
SCALE: 1-1/2" = 1'-0"

GENERAL WALL TYPE NOTES

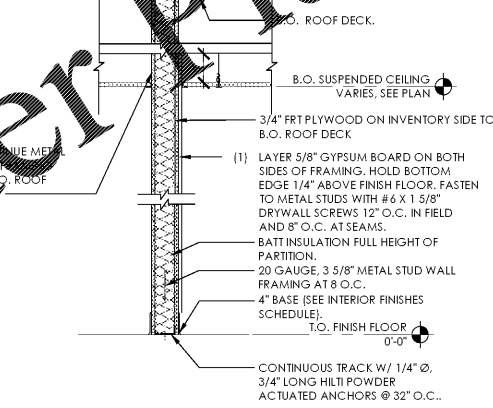
A. NOT ALL WALL TYPES SHOWN ON THIS SHEET MAY BE USED; REFER TO CONSTRUCTION FLOOR PLAN(S).
B. VERTICAL & HORIZONTAL EXTENTS OF INTERIOR WALL SUBSTRATES & FINISHES ARE SHOWN ON SUBSTRATE &/or FINISH PLAN(S) &/or INTERIOR ELEVATIONS SHEETS.
C. END CONDITION AT THE TOP OF WALLS SHALL VARY AS FOLLOWS:
C.1. FULL HEIGHT WALLS TO TERMINATE @ UNDERSIDE OF STRUCTURE ABOVE
C.2. X-Y WALLS ABOVE ARCHITECTURAL CEILINGS SHALL TERMINATE WITH DIAGONAL BRACING FROM TOP PLATE OR TRACK TO UNDERSIDE OF STRUCTURE ABOVE UNLESS NOTED OTHERWISE.
NOTE: SEE "WALL TYPE LEGEND" ON THIS SHEET.
D. ALL STRUCTURAL CONNECTIONS, FRAMING SIZE/ SPACING, BLOCKING, ETC., SHOWN ON THESE SHEETS ARE TO BE VERIFIED WITH STRUCTURAL DRAWINGS (IF INCLUDED/ REQUIRED FOR PERMITS & CONSTRUCTION). METAL STUD GAUGE, SPACING, & ATTACHMENT/ CONNECTION DETAILS SHOWN IN THE STRUCTURAL DRAWINGS ARE TO TAKE PRECEDENCE & SUPERCEDE ANY EQUIVALENT INFORMATION ON THIS SHEET.
E. G.C. TO SUBMIT ALTERNATE BID FOR GEORGIA PACIFIC "DENSIELD" TILE BACKER IN LEW OF CEMENT BACKER BOARD (WHERE NOTED).
F. ALL SUBSTRATES TO BE GLUED & SCREWED TO FRAMING MEMBERS, UNLESS NOTED OTHERWISE. REFER TO SPECIFICATIONS FOR FURTHER INFORMATION.



7 DOOR OPENING INFILL
SCALE: 3/4" = 1'-0"



6 WALL UP TO 6\"/>

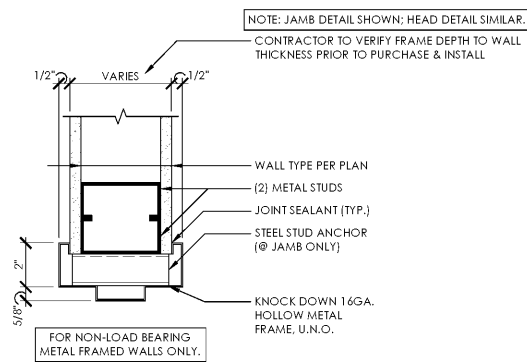


5 WALL UP TO BOTTOM OF DECK
SCALE: 3/4" = 1'-0"

HARDWARE SCHEDULE

NOTE: NOT ALL HARDWARE LISTED BELOW MAY BE USED; REFER TO DOOR SCHEDULE

HRDW SET - 3	MANAGER'S OFFICE	HRDW SET - 2	INVENTORY	HRDW SET - 1	POS AREAS, OFFICES
CLOSER	MANUFACTURER: NORTON PRODUCT NO.: 1600 SERIES REGULAR ARM QTY: 1	CLOSER	MANUFACTURER: NORTON PRODUCT NO.: 1600 SERIES REGULAR ARM QTY: 1	CLOSER	MANUFACTURER: NORTON PRODUCT NO.: 1600 SERIES REGULAR ARM QTY: 1
HINGE	MANUFACTURER: VON DUPRIN PRODUCT NO.: EPT-10 QTY: 3 REMARKS: TRANSFER HINGE	HINGE	MANUFACTURER: VON DUPRIN PRODUCT NO.: EPT-10 QTY: 3 REMARKS: TRANSFER HINGE	HINGE	MANUFACTURER: VON DUPRIN PRODUCT NO.: EPT-10 QTY: 3 REMARKS: TRANSFER HINGE
KICK PLATE	MANUFACTURER: HAGER PRODUCT NO.: 1905 QTY: 1 REMARKS: 12\"/>	KICK PLATE	MANUFACTURER: HAGER PRODUCT NO.: 1905 QTY: 1 REMARKS: 12\"/>	KICK PLATE	MANUFACTURER: HAGER PRODUCT NO.: 1905 QTY: 1 REMARKS: 12\"/>
LOCKSET	MANUFACTURER: SCHLAGE PRODUCT NO.: ND405 QTY: 1 REMARKS: PRIVACY FUNCTION LOCK	LOCKSET	MANUFACTURER: SCHLAGE PRODUCT NO.: ND80BD QTY: 1 REMARKS: STOREROOM FUNCTION LOCK	LOCKSET	MANUFACTURER: SCHLAGE PRODUCT NO.: ND80BD RHO 626 QTY: 1 REMARKS: MESSAGE FUNCTION LOCK
FLOOR STOP	MANUFACTURER: HAGER PRODUCT NO.: 243F DOME STOP, US26D QTY: 1	DOOR STRIKE	MANUFACTURER: VON DUPRIN PRODUCT NO.: 5100 (ELECTRIFIED) QTY: 1	DOOR STRIKE	MANUFACTURER: VON DUPRIN PRODUCT NO.: 5100 (ELECTRIFIED) QTY: 1
		FLOOR STOP	MANUFACTURER: HAGER PRODUCT NO.: 243F DOME STOP, US26D QTY: 1	FLOOR STOP	MANUFACTURER: HAGER PRODUCT NO.: 243F DOME STOP, US26D QTY: 1
		SMALL FORMAT INTERCH. CORE	MANUFACTURER: BENTON PRODUCT NO.: A-1 QTY: 1		
		MULTI-POINT LOCKING SYSTEM	MANUFACTURER: SECURITY PRODUCT NO.: 545-SD63 QTY: 1 REMARKS: SEE OTHERS		
		POWER SUPPLY	MANUFACTURER: VON DUPRIN PRODUCT NO.: PS914 QTY: 1		

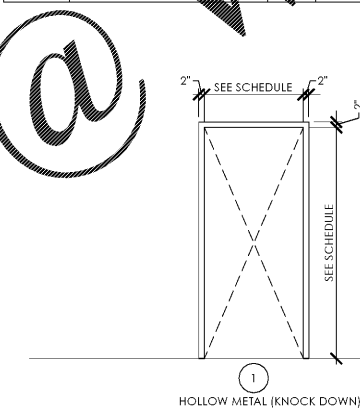


4 HOLLOW METAL FRAME JAMB/ HEAD DETAIL
SCALE: 3" = 1'-0"

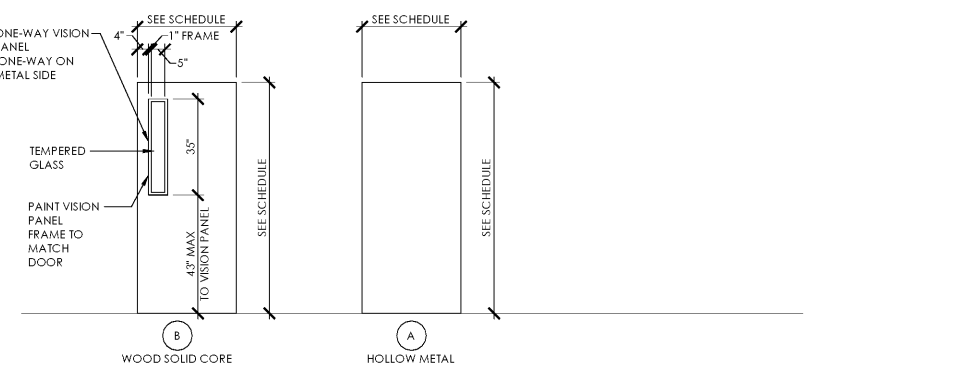
DOOR SCHEDULE

NOTE: NOT ALL DOORS LISTED BELOW MAY BE USED; REFER TO PLANS FOR DOOR TAGS.

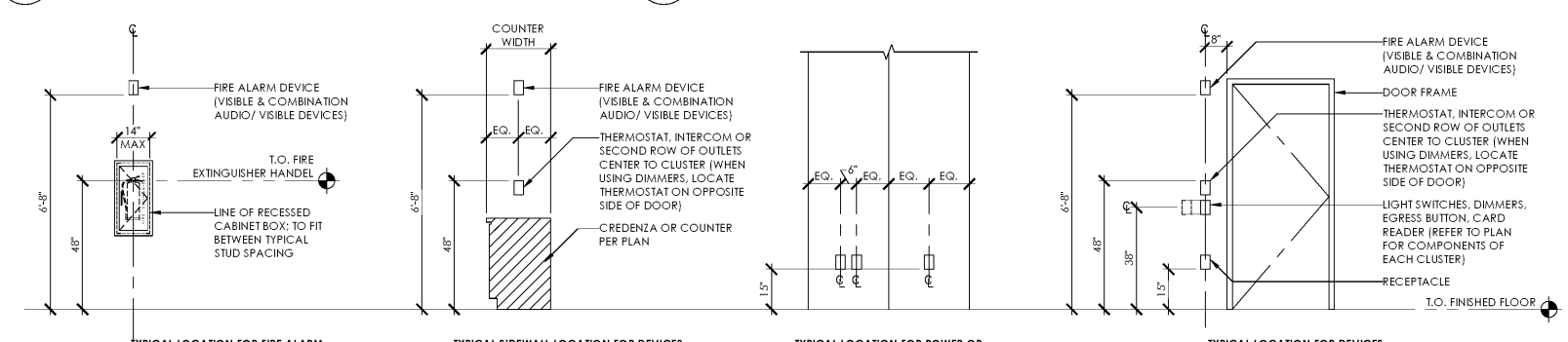
DOOR NO.	ROOM NAME	DOOR			FRAME			HARDWARE SET	REMARKS						
		NOMINAL SIZE	MATL	FINISH	DETAIL REFERENCE	MATL	FINISH			TYPE					
		WIDTH	HEIGHT	THICK.	JAMB	HEAD	THRESH.								
FIRST FLOOR															
103	NEW INVENTORY	3'-0"	7'-0"	1 3/4"	HM	P-2	A	4/A-601	4/A-601	-	HM	P-2	1	2	MATCH EXISTING FINISH, PATCH AS REQUIRED. CONFIRM WITH VERIZON PROJECT MANAGER
111	EXISTING OPERATIONS	3'-0"	7'-0"	1 3/4"	HM	MATCH ADJAC. WALL	B	4/A-601	4/A-601	-	HM	MATCH ADJAC. WALL	1	1	MATCH EXISTING FINISH, PATCH AS REQUIRED. CONFIRM WITH VERIZON PROJECT MANAGER
113	NEW MANAGER	3'-0"	7'-0"	1 3/4"	WSC	P-1	A	4/A-601	4/A-601	-	HM	P-1	1	3	MATCH EXISTING FINISH, PATCH AS REQUIRED. CONFIRM WITH VERIZON PROJECT MANAGER
114	NEW STORE	3'-0"	7'-0"	1 3/4"	WSC	P-1	A	4/A-601	4/A-601	-	HM	P-1	1	1	MATCH EXISTING FINISH, PATCH AS REQUIRED. CONFIRM WITH VERIZON PROJECT MANAGER



3 FRAME TYPES
SCALE: 3/8" = 1'-0"



2 DOOR TYPES
SCALE: 3/8" = 1'-0"



1 TYPICAL MOUNTING HEIGHTS
SCALE: 3/8" = 1'-0"

Order Plans

@

www.LDilLine.com



VERIZON WIRELESS
 HENDERSONVILLE-NEXT GEN
 1602 FOUR SEASONS BLVD.
 HENDERSONVILLE, NC 28792



ARCHITECT OF RECORD

ISSUE	DATE	DESCRIPTION
-	03/25/19	ISSUED FOR PERMIT

PROJECT INFORMATION

PROJECT NO.: V2W.26121
 DATE: 03/13/2019
 SCALE: AS NOTED
 DRAWN BY: N.GLUKHOMAN
 CHECKED BY: V.ALVAEZ

SHEET TITLE

DOOR & HARDW. SCHDL. & DTLS; TYP. MOUNT, HEIGHTS; WALL TYPES; WALL FRMG. DETAILS

A-601

P:\Verizon Wireless\Hendersonville, NC 1602 Four Seasons Blvd\1602 Four Seasons Blvd_V2W_Door Schedule & Mounting Heights - Wall Types & Wall Framing Detail.dwg
 Author: JLD/1/25/2019 2:25:07 PM