

Fire System Information - Job#1682319

FIRE SYSTEM NO.	TYPE	SIZE	FLOW POINTS	INSTALLATION	
				SYSTEM	LOCATION ON HOOD
1	Ansul Piranha	10	10	Fire Cabinet Left	Left

GAS VALVE(S)

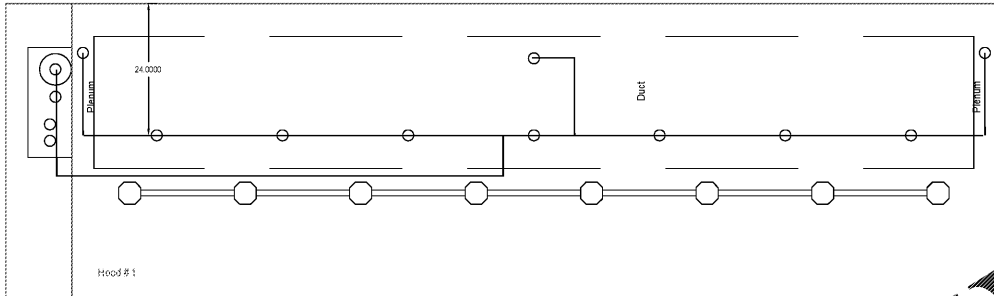
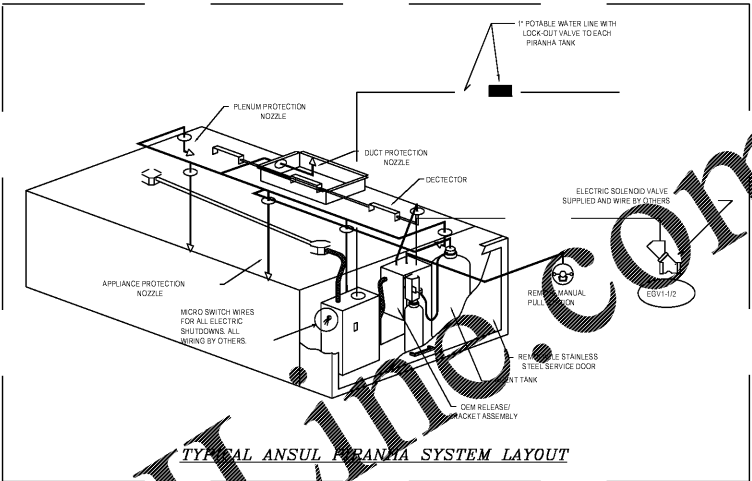
FIRE SYSTEM NO.	TYPE	SIZE	SUPPLIED BY
1	Mechanical	2.000	Distributor

Fire System Parts List Key

FIRE SYSTEM NO.	KEY NUMBER - PART DESCRIPTION	QTY. BY FACTORY	QTY. BY DIST.
1	0 - 0 - 40-15733 AIR CYLINDER ASSEMBLY - Air Cylinder and Tubing for Mechanical Gas Valves (Ansu)	0	1
1	1 - 1 - PIRANHA-02M REGULATED RELEASE - Ansol Autom Mechanical Regulated Release, (25Lb PIRANHA)	1	0
1	4 - 4 - P-10 TANK - 2.25 Gallon Stainless Steel Tank Assembly (PIRANHA-10)	1	0
1	7 - 7 - LT-30R LT-30R CARTRIDGE	0	1
1	10 - 10 - T-LINK TEST LINK	0	1
1	11 - 11 - MICRO-8DA MICROSWITCH - Single Dual Electric Switch, One Standard Switch, One Alarm Duty Switch 437155	1	0
1	15 - 15 - 425572 SWIVEL ADAPTOR (H1898)	7	0
1	17 - 17 - 426302 NOZZLE - DL Nozzle, DuoLow Proximity, Piranha	1	0
1	18 - 18 - 425842 NOZZLE - AP Nozzle, Applianze/Plenum, Piranha	9	0
1	26 - 26 - 028A-3R OJINK SEAL - 3/8" (LL)	10	0
1	27 - 27 - 028A-1Q PULLEY SEAL - 1/2" Hood Seal (LL)	1	0
1	28 - 28 - 9-D2T SERIES DETECTOR SCISSOR LINKAGE NEW#435547-435548 (OLD#417369/434460)	7	0
1	30 - 30 - ANS-800P, FUSIBLE LINK - 500mg F, R-102 and PIRANHA	7	0
1	34 - 34 - RPS-A REMOTE PULL STATION - Aluminum (without wire route) 434818	1	0
1	35 - 35 - PE-LT LOW TEMP PULLEY ELBOW	2	0
1	36 - 36 - PE-HT HIGH TEMP PULLEY ELBOW (423250)	1	0

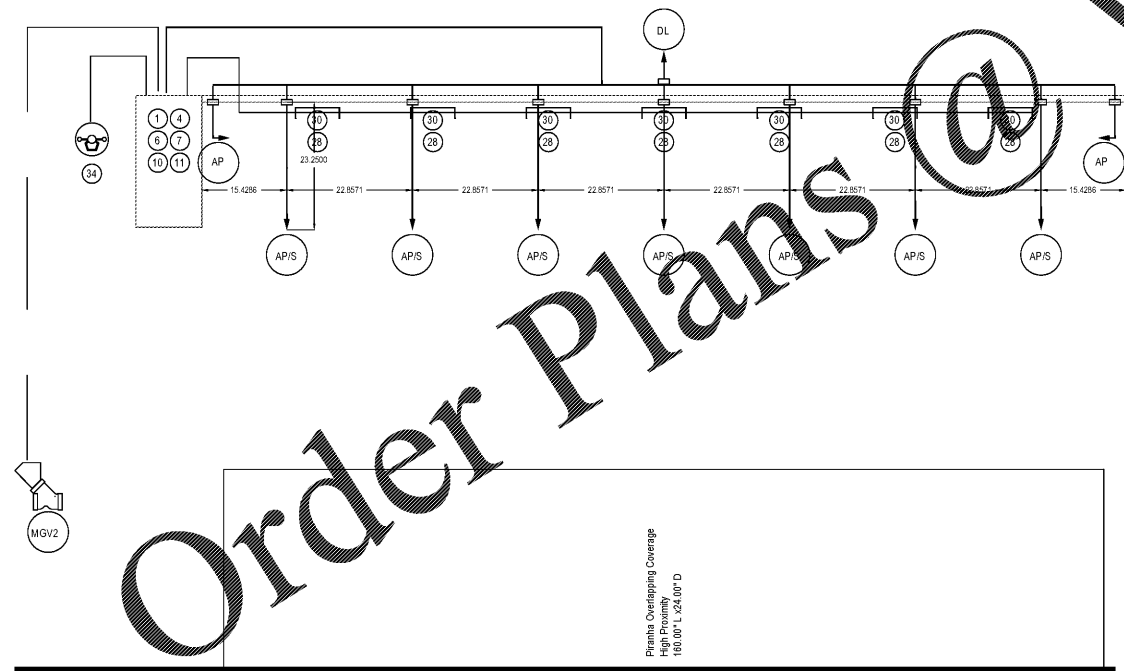
ANSUL "PIRANHA" SYSTEM NOTES

PLUMBING CONTRACTOR TO CONNECT THE WATER FLOW VALVE AT EACH FIRE SYSTEM TANK TO THE BUILDINGS POTABLE WATER SUPPLY BY A 1" WATER LINE FLOWING WATER PRESSURE BETWEEN 33 AND 100 PSI. THIS WATER LINE MUST BE DEDICATED TO THE PIRANHA SYSTEM AND MUST INCLUDE A SINGLE, FULL FLOW, INDICATING, LOCKED OPEN, TAMPERPROOF SHUT OFF VALVE AND MUST BE CONNECTED TO THE POTABLE WATER SUPPLY LINE IMMEDIATELY BEFORE THE INTERIOR MAIN SHUT OFF VALVE.



- NOTES**
- FIELD PIPE DROPS AS SHOWN
 - SLEEVING, ELBOWS, TEES, AND NOZZLES SUPPLIED BY GAS
 - RELOCATE NOZZLES IF FLOW PATTERN IS BLOCKED BY SHELVING, SALAMANDERS, ETC.
 - MAXIMUM 9 ELBOWS IN SUPPLY LINE
 - MINIMUM 72 INCHES OF AGENT LINE FROM TANK TO FIRST NOZZLE
 - IF APPLICABLE, PRE-PIPED CHARBROILER DROPS ARE SHIPPED LOOSE.
 - FACTORY PIPING EXTENDS A MAXIMUM OF 6" ABOVE THE TOP OF THE HOOD.
 - APPLIANCE DIMENSIONS LISTED REPRESENT THE COOKING SURFACE SIZE, NOT THE OVERALL APPLIANCE SIZE.
 - THIS FIRE SYSTEM COMPLIES WITH U.L. 300 REQUIREMENTS

System Size: PIRANHA-10 Total FP required: 10
 Hood # 1 14' 0.00" Long x 54" Wide x 24" High
 Riser # 1 Size: 10" x 34"



INCLUDES: FIELD INSTALLATION AND HOOKUP DURING NORMAL BUSINESS HOURS BY CERTIFIED INSTALLERS ONLY IN THE LOCATION NOTED ABOVE; TWO SITE VISITS ONLY; ONE VISIT TO SET PULL STATION & SYSTEM HOOKUP AND ONE VISIT FOR ONE TEST; ADDITIONAL VISITS WILL RESULT IN ADDITIONAL CHARGES; ONE MECHANICAL GAS VALVE PER SYSTEM AT A MAXIMUM SIZE OF 2" PERMIT AND SYSTEM TEST; EXCLUSIONS: UNION LABOR & PREVAILING WAGE LABOR & WAGES WILL BE ADDED IF APPLICABLE; GAS VALVE INSTALLATION ELECTRICAL HOOKUP AND CONNECTIONS; HANDING OF FIRE CABINET; SHUNT TRIP; HANDHELD EXTINGUISHER(S); ON SITE RE-PIPING DUE TO EQUIPMENT LAYOUT CHANGES.

System Size: PIRANHA-10 Total FP required: 10
 Hood # 1 14' 0.00" Long x 54" Wide x 24" High
 Riser # 1 Size: 10" x 34"

- NOTES**
- FIELD PIPE DROPS AS SHOWN
 - SLEEVING, ELBOWS, TEES, AND NOZZLES SUPPLIED BY GAS
 - RELOCATE NOZZLES IF FLOW PATTERN IS BLOCKED BY SHELVING, SALAMANDERS, ETC.
 - MAXIMUM 9 ELBOWS IN SUPPLY LINE
 - MINIMUM 72 INCHES OF AGENT LINE FROM TANK TO FIRST NOZZLE
 - IF APPLICABLE, PRE-PIPED CHARBROILER DROPS ARE SHIPPED LOOSE.
 - FACTORY PIPING EXTENDS A MAXIMUM OF 6" ABOVE THE TOP OF THE HOOD.
 - APPLIANCE DIMENSIONS LISTED REPRESENT THE COOKING SURFACE SIZE, NOT THE OVERALL APPLIANCE SIZE.
 - THIS FIRE SYSTEM COMPLIES WITH U.L. 300 REQUIREMENTS

SPECIFICATIONS

THE RESTAURANT FIRE SUPPRESSION SYSTEM SHALL BE THE PRE-ENGINEERED TYPE WITH A FIXED NOZZLE AGENT DISTRIBUTION NETWORK. IT SHALL BE LISTED WITH UNDERWRITERS LABORATORIES, INC. (UL)

THE SYSTEM SHALL BE CAPABLE OF AUTOMATIC DETECTION AND ACTUATION WITH LOCAL OR REMOTE MANUAL ACTUATION. ACCESSORIES SHALL BE AVAILABLE FOR MECHANICAL OR ELECTRICAL GAS LINE SHUT-OFF APPLICATIONS.

THE EXTINGUISHING AGENT SHALL BE A POTASSIUM CARBONATE, POTASSIUM ACETATE BASED FORMULATION DESIGNED FOR FLAME KNOCKDOWN AND SECUREMENT OF GREASE RELATED FIRES. IT SHALL BE AVAILABLE IN PLASTIC CONTAINERS WITH INSTRUCTIONS FOR LIQUID AGENT HANDLING AND USAGE.

THE REGULATED RELEASE MECHANISM SHALL BE COMPATIBLE WITH A FUSIBLE LINK DETECTION SYSTEM. THE FUSIBLE LINK SHALL BE SELECTED AND INSTALLED ACCORDING TO THE OPERATING TEMPERATURE IN THE VENTILATING SYSTEM. THE FUSIBLE LINK SHALL BE SUPPORTED BY A DETECTOR BRACKET/ LINKAGE ASSEMBLY.

LEGEND - ANSUL PIRANHA SYSTEM

- 1 PIRANHA MECHANICAL REGULATED RELEASE ASSEMBLY
- 2 PIRANHA REGULATED ACTUATOR ASSEMBLY
- 3 PIRANHA 7 TANK (1.5 GALLON)
- 4 PIRANHA 10 TANK (2.25 GALLON)
- 5 PIRANHA 13 TANK (3.0 GALLON)
- 6 PRX LIQUID FIRE SUPPRESSANT
- 7 LT-30R NITROGEN CARTRIDGE
- 8 LT-20R NITROGEN CARTRIDGE
- 9 DOUBLE TANK CARTRIDGE
- 10 TEST LINK
- 11 DOUBLE MICROSWITCH
- DL DUCT NOZZLE
- AP APPLIANCE/PLENUM NOZZLE
- AP/S APPLIANCE/PLENUM NOZZLE WITH SWIVEL ADAPTOR
- 28 DETECTOR BRACKET
- 30 LOW TEMP FUSIBLE LINK
- MGV MECHANICAL GAS VALVE
- EGV ELECTRICAL GAS VALVE
- 34 REMOTE MANUAL PULL STATION

FOR QUESTIONS, CALL THE
 PIEDMONT NORTH CAROLINA OFFICE
 LONNIE GRANT (REGIONAL MANAGER)
 PHONE: 336-998-8484, FAX: 336-998-0418
 EMAIL: reg30@capivaire.com

Order Plans @ WWW.LDILLING.COM



Summey Engineering Associates, PLLC
 Engineering - Land Planning - Consulting
 PO Box 568
 Asheville, NC 27204
 Phone: 336-528-0902 Fax: 336-528-0922
 E-mail: mack@shubero.com
 NC Professional Engineering Firm License No. P-9336

No.	Date	Description	By

CAPTIVE-AIRE HOOD PLANS SHEET 3 OF 3
COOK-OUT RESTAURANTS
 4145 S. MEMORIAL DRIVE
 PITT COUNTY - WINTERVILLE TOWNSHIP - NORTH CAROLINA

Scale:	AS NOTED
Date:	APRIL 2019
Drawn By:	ECB
Checked By:	HWSJ
Job No.:	E-5450

Sheet No.
M-9
 9 of 9