

MUA FAN INFORMATION - Job#3103871

FAN UNIT NO.	TAG	FAN UNIT MODEL #	BLOWER	HOUSING	DESIGN CFM	ESP.	RPM	H.P.	B.H.P.	Ø	VOLT	FLA	WEIGHT (LBS)	SONES	BURNER EFFICIENCY(%)
1		A1-D-250-G10	G10	A1-D-250	2912	0.450	1308	2.000	1.8720	3	208	5.9	597	27	92

GAS FIRED MAKE-UP AIR UNIT(S)

FAN UNIT NO.	TAG	INPUT BTUs	OUTPUT BTUs	TEMP. RISE	REQUIRED INPUT GAS PRESSURE	GAS TYPE
1		185925	171051	55 deg F	7 in. w.c. - 14 in. w.c.	Natural

FAN OPTIONS

FAN UNIT NO.	TAG	OPTION (Qty. - Descr.)
1		1 - Motorized Backdraft Damper for A1-D Housing
		1 - AC Interlock Relay - 24VAC Coil
		1 - Low Fire Start
		1 - Inlet Pressure Gauge, 0-35"
		1 - Manifold Pressure Gauge, -5 to 15" wc

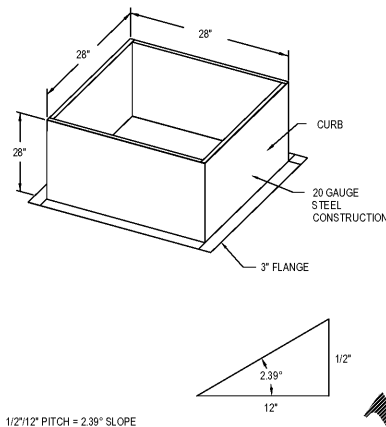
FAN ACCESSORIES

FAN UNIT NO.	TAG	EXHAUST				SUPPLY			
		GREASE CUP	GRAVITY DAMPER	WALL MOUNT	SIDE DISCHARGE	GRAVITY DAMPER	MOTORIZED DAMPER	WALL MOUNT	
1							YES		

CURB ASSEMBLIES

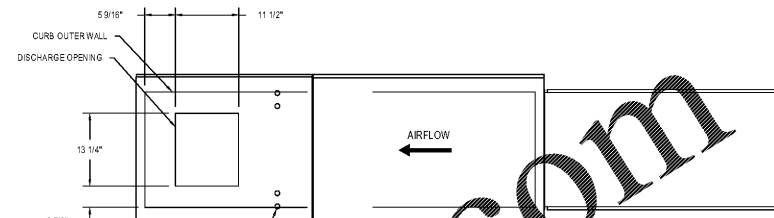
NO.	ON FAN	WEIGHT	ITEM	SIZE
1	#1	63 LBS	Curb	21,000"W x 71,000"L x 20,000"H 0.500:12,000 Pitch Along Width, Right Insulated
2		83 LBS	Curb	28,000"W x 28,000"L x 28,000"H 0.500:12,000 Pitch

CURB #2 HRE28X28E

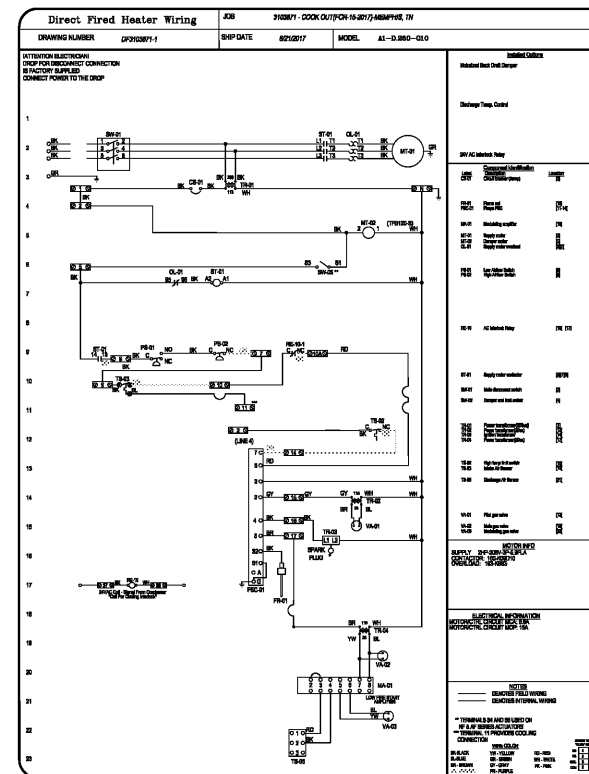
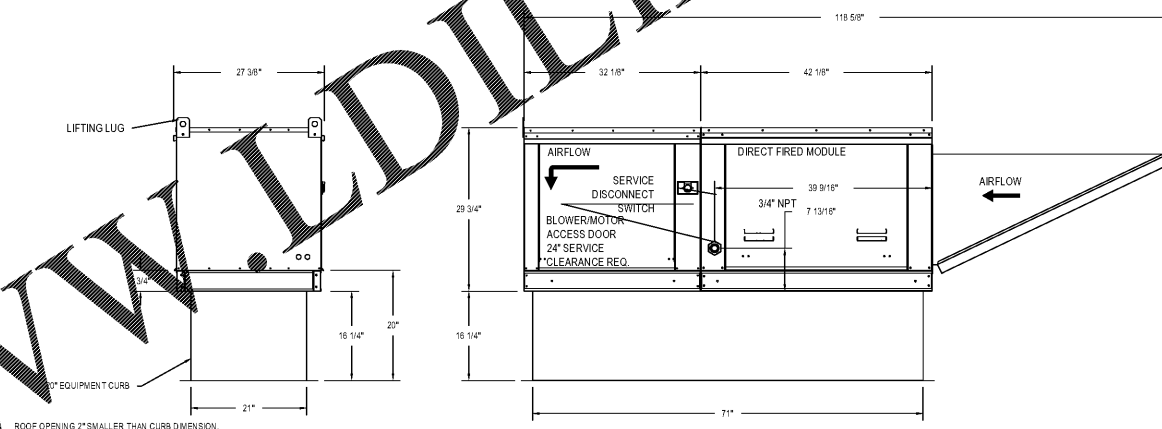


- FAN #1 A1-D-250-G10 - HEATER
- DIRECT GAS FIRED HEATED MAKE UP AIR UNIT WITH 10" BLOWER
- INTAKE HOOD WITH 6Z FILTERS
- DOWN DISCHARGE - AIR FLOW RIGHT -> LEFT
- MOTORIZED BACK DRAFT DAMPER 16" X 18" FOR SIZE 1 STANDARD & MODULAR HEATER AND UNTEMPERED UNITS EXTENDED SHAFT, STANDARD GALVANIZED CONSTRUCTION, 3/4" RIB-R FLANGE, 178/1208 ACTUATOR INCLUDED
- COOLING INTERLOCK RELAY, 24VAC COIL, 120V ON TAGTS, LOCKS OUT BURNER CIRCUIT WHEN AC IS ENERGIZED.
- LOW FIRE START - ALLOWS THE BURNER CIRCUIT TO ENERGIZE WHEN THE MODULATION CONTROL IS IN A LOW FIRE POSITION.
- GAS PRESSURE GAUGE, 0-35", 2.5" DIAMETER, 1/4" THREAD SIZE
- GAS PRESSURE GAUGE, -5 TO +15 INCHES WC, 2.5" DIAMETER, 1/4" THREAD SIZE

SUPPLY SIDE HEATER INFORMATION:  
 WINTER TEMPERATURE = 20°F, TEMP. RISE = 55°F.  
 BTU's CALCULATED OFF ACTUAL AIR DENSITY  
 OUTPUT BTU's AT ALTITUDE OF 0.0 ft. = 171051  
 INPUT BTU's AT ALTITUDE OF 0.0 ft. = 185925

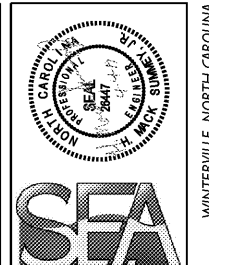


FLEX CONDUIT FOR FIELD WIRING



**Direct Fired Heater Profile Plate Specifications:**  
 Description:  
 Direct Fired burners shall have stainless steel burner profile plates designed to ensure proper air velocity and pressure drop across the burner. Profile plates shall allow burners to activate when combustion is verified by product levels to a maximum of 50% of total volume in CO2 and 50% of oxygen in O2.  
 Application:  
 Profile plates for use on profile plates are engineered to automatically restrict the movement of a flame in a burner, without the need for any motors or solenoids to manually adjust them. With the burner, all DP units are designed for demand control ventilation (DCV) applications.  
 Construction:  
 All profile plate assemblies shall be included in the DP unit's ETL listing and comply with combustion safety standards ANSI Z39.4 and CSA 3.7 non-ventilating DP heaters and ANSI Z91.11 including DP heaters.  
 General Construction:  
 Profile plates shall be formed from 304 stainless steel.  
 Profile plates shall be 1/8" thick per unit.  
 Profile plates shall be mounted along the same plane as the discharge of the burner.  
 Design shall incorporate separate forward, permanently mounted spring hinges.  
 Spring hinges shall be made from 304 stainless steel.

Order Plans @ [www.LDILine.com](http://www.LDILine.com)



Summey Engineering Associates, PLLC  
 Engineering - Land Planning - Consulting  
 PO Box 568  
 Asheville, NC 27204  
 Phone: 336-528-0902 Fax: 336-528-0922  
 E-mail: mack@summey.com  
 NC Professional Engineering Firm License No. P-0336

No.	Date	Description

CAPTIVE-AIRE HOOD PLANS SHEET 2 OF 3  
**COOK-OUT RESTAURANTS**  
 4145 S. MEMORIAL DRIVE  
 PITT COUNTY - WINTERVILLE TOWNSHIP - NORTH CAROLINA

Scale:	AS NOTED
Date:	APRIL 2019
Drawn By:	ECB
Checked By:	HWSJ
Job No.:	E-5450
Sheet No.:	M-8 8 of 9