

**HOOD INFORMATION - Job#3263961**

HOOD NO.	TAG	MODEL	LENGTH	MAX COOKING TEMP	EXHAUST FLOW				MUA CFM	AC CFM	HOOD CONSTRUCTION	HOOD CONFIG				
					TOTAL EXH CFM	WIDTH	LENG	HEIGHT				DIA.	CFM	VEL.	S.P.	END TO END
1		54H-ND-ACPSP-F	15' 0"	600 Deg	3500	9'	37"	4"	3500	1686	-0.72"	3120	660	430 SS Where Exposed	ALONE	ALONE

**Fire System Information - Job#3103871**

FIRE SYSTEM NO.	Tag	TYPE	SIZE	FLOW POINTS	INSTALLATION	
					SYSTEM	LOCATION ON HOOD
1		Ansul Piranha	10	10	Fire Cabinet Right	Right

**HOOD INFORMATION**

HOOD NO.	TAG	TYPE	FILTER(S)				LIGHT(S)				WIRE GUARD	LOCATION	SIZE	TYPE	QUANTITY	FIRE SYSTEM PIPING	HOOD HANGING WGT
			QTY	HEIGHT	LENGTH	EFFICIENCY @ 1 MICRONS	QTY	TYPE									
1		SS Baffle with Handles	11	16"	16"	30%	3	L55 Series E26	ND	Right	12x5x4x2"	Ansul Piranha	10	SC-31110FP	1 Light 1 Fan	1	106 LBS

**HOOD OPTIONS**

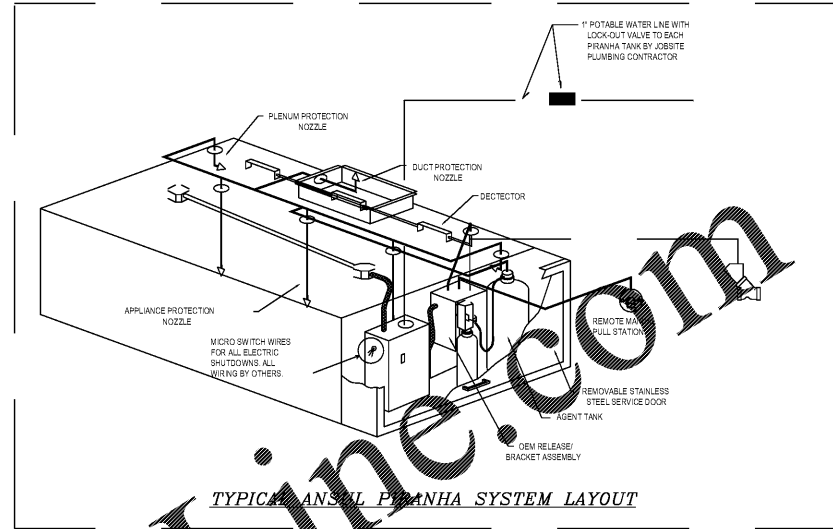
HOOD NO.	TAG	OPTION
1		FIELD WRAPPER 17.00" High Front, Left, Right BACKSPLASH 120.00" High X 152.00" Long 430 SS Vertical LEFT QUARTER END PANEL 23" Top Width, 0" Bottom Width, 23" High 430 SS RIGHT QUARTER END PANEL 23" Top Width, 0" Bottom Width, 23" High 430 SS STRUCTURAL FRONT PANEL

**PERFORATED SUPPLY PLENUM(S)**

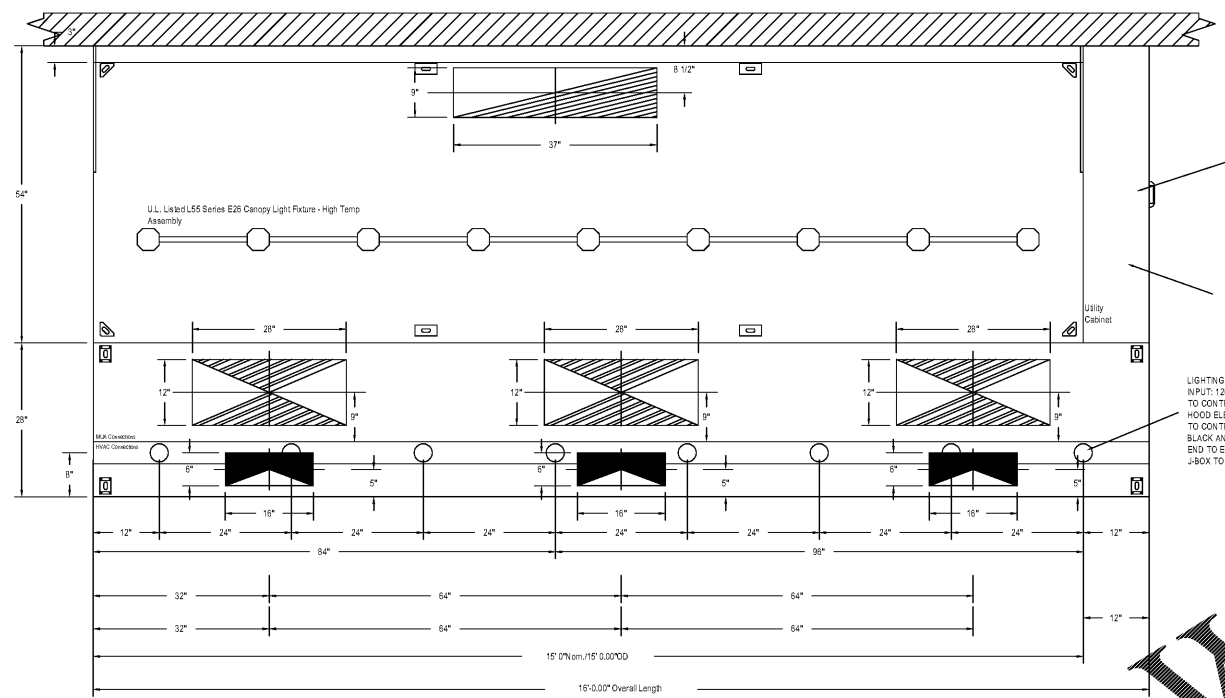
HOOD NO.	TAG	POS.	LENGTH	WIDTH	HEIGHT	RISE(S)				
						TYPE	WIDTH	LENG	DIA.	CFM
1		Front	192"	28"	6"	MUA	12"	28"	1040	0.339"
						MUA	12"	28"	1040	0.339"
						AC	6"	16"	220	0.074"
						AC	6"	16"	220	0.074"

**ANSUL "PIRANHA" SYSTEM NOTES**

PLUMBING CONTRACTOR TO CONNECT THE WATER FLOW VALVE AT EACH FIRE SYSTEM TANK TO THE BUILDING'S POTABLE WATER SUPPLY BY A 1" WATER LINE FLOWING WATER PRESSURE BETWEEN 33 AND 100 PSI. THE WATER LINE MUST BE DEDICATED TO THE PIRANHA SYSTEM AND MUST INCLUDE A SINGLE FULL FLOW, INDICATING LOCKED OPEN, TAMPERPROOF SHUT OFF VALVE PROVIDED BY PLUMBING CONTRACTOR AND MUST BE CONNECTED TO THE POTABLE WATER SUPPLY LINE IMMEDIATELY DOWNSTREAM FROM THE MAIN SHUT OFF VALVE.

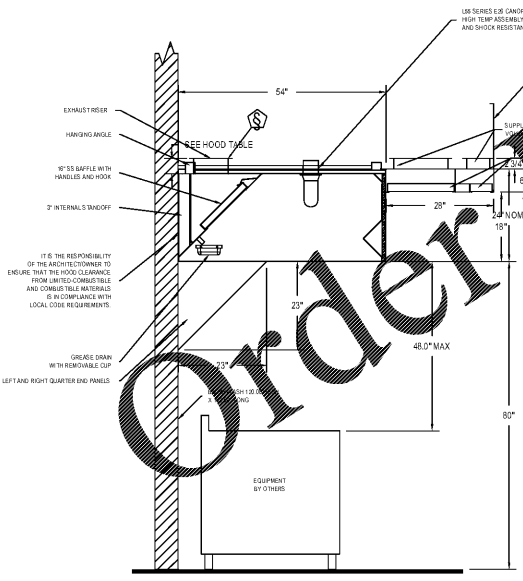


FOR QUESTIONS, CALL THE WESTERN NORTH CAROLINA OFFICE  
LONNIE GRANT (REGIONAL MANAGER)  
PHONE: 336-996-8184 FAX: 336-996-0418  
EMAIL: reg30@capfire.com



**PLAN VIEW - Hood #1**  
15' 0.00" LONG 5424ND-2-ACPSP-F  
NOTE: Additional hanging angles provided for hoods 12' and longer.

ACPSP ships loose for field installation



**SECTION VIEW - MODEL 5424ND-2-ACPSP-F HOOD - #1**

CAPTIVE-AIRE HOODS ARE BUILT IN COMPLIANCE WITH

**NSF** **ETL**

NFPA #96  
NSF  
UL 710 & UL C710 STANDARDS  
E.T.L. LISTED 3054804-001

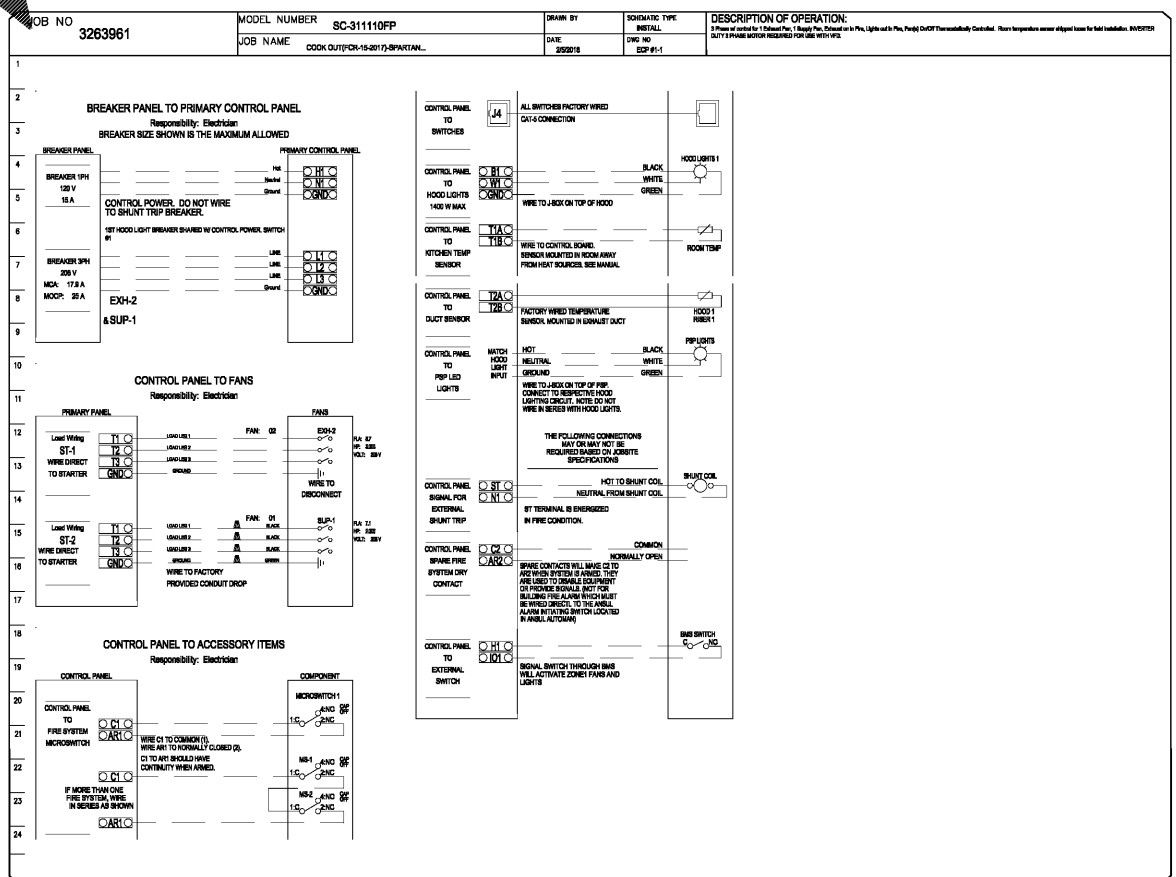
**\*\*\* NOTE \*\*\***

ALL WALLS THAT COME WITHIN 18" OF HOOD MUST BE METAL STUDS AND SHEETROCK. WOOD STUDS NOT ALLOWED.

LIGHTING FOR ACPSP Job #3263961 - Hood #1  
INPUT: 120V AC, 1 Phase, 60/50 Hz, 3.5 Watts per light  
TO CONTROL LIGHTS WITH HOOD LIGHT SWITCH, WIRE PER HOOD ELECTRICAL CONTROL PANEL SCHEMATIC  
TO CONTROL LIGHTS WITH BUILDING LIGHT SWITCH, WIRE BLACK AND WHITE WIRE TO A 120VAC SERVICE END TO END ACPSPS REQUIRE 120VAC RED WIRING FROM J-BOX TO J-BOX. REPLACE LIGHTS WITH LED LIGHTS ONLY.

**PREWIRE PACKAGE INFORMATION**

NO.	TAG	PACKAGE #	LOCATION	SWITCHES		OPTION	FANS CONTROLLED				
				LOCATION	QUANTITY		TYPE	φ	H.P.	VOLT	FLA
		SC-31110FP	Utility Cabinet Right	D4 - Utility Cabinet Right	1 Light	Smart Controls Thermostatic Control	Supply	3	2.000	208	5.9
				Hood # 1	1 Fan		Exhaust	3	3.000	208	8.7



**SFA**

Summey Engineering Associates, PLLC  
Engineering - Land Planning - Consulting  
PO Box 568  
Asheboro, NC 27204  
Phone: 336-524-0902 Fax: 336-524-0922  
E-mail: msack@summey.com  
NC Professional Engineering Firm License No. P-0936

By	
Description	
No.	Date

CAPTIVE-AIRE HOOD PLANS SHEET 1 OF 3

**COOK-OUT RESTAURANTS**  
4145 S. MEMORIAL DRIVE  
PITT COUNTY - WINTERVILLE TOWNSHIP - NORTH CAROLINA

Scale	AS NOTED
Date	APRIL 2019
Drawn By	ECB
Checked By	HW5J
Job No.	E-5450

Sheet No. **M-7**  
1 of 9