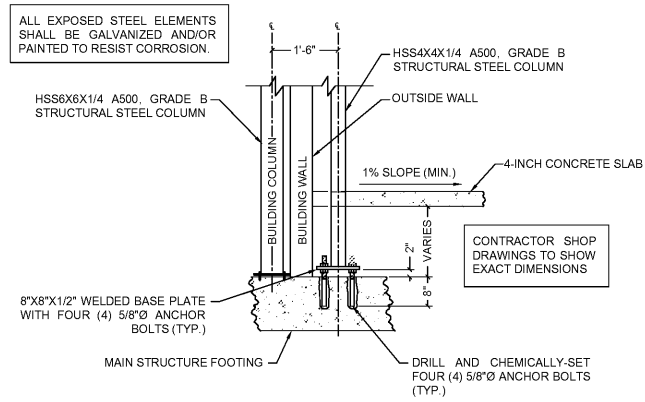
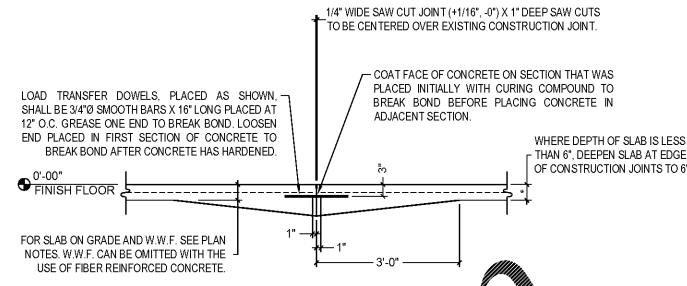


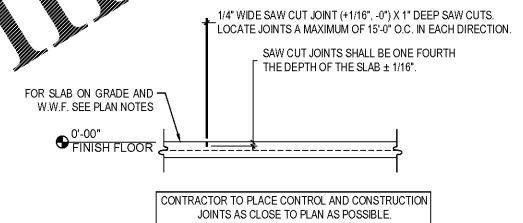
1 TYP. FOOTING SECTION
FOOTING F-1 DETAIL
SCALE: 1/2" = 1'-0"



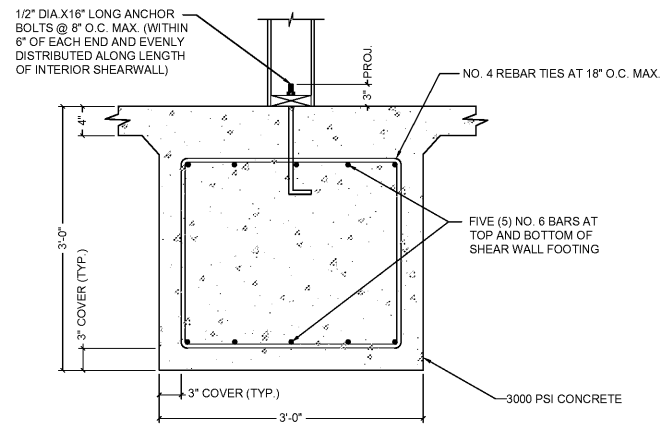
4 TYP. FOOTING SECTION
CANOPY FOOTINGS ADJACENT TO BUILDING
SCALE: 1/2" = 1'-0"



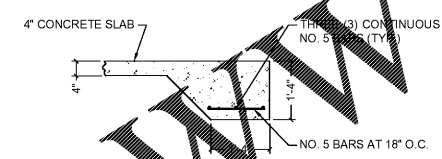
7 TYPICAL STANDARD
CONSTRUCTION JOINT DETAIL
SCALE: NOT TO SCALE



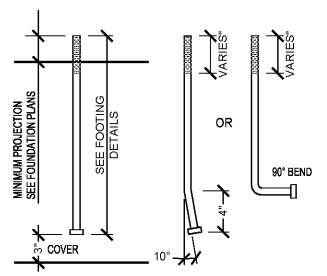
8 TYPICAL STANDARD
CONTROL JOINT DETAIL
SCALE: NOT TO SCALE



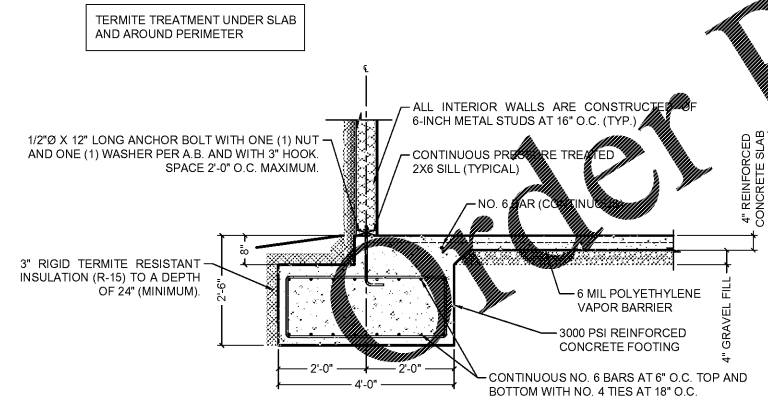
2 TYPICAL FOOTING SECTION
SHEARWALL FOOTING F-3
SCALE: 1" = 1'-0"



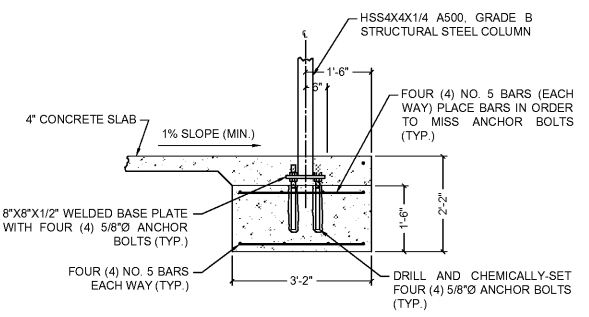
5 TYP. FOOTING SECTION
CANOPY SLAB TURNDOWN
SCALE: 1/2" = 1'-0"



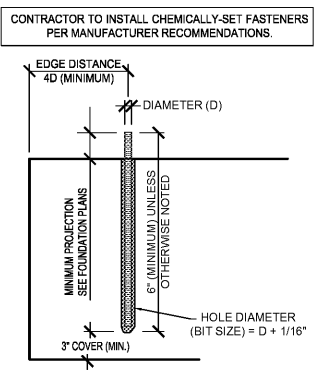
9 TYPICAL STANDARD
ANCHOR BOLT DETAIL
SCALE: NOT TO SCALE



3 TYP. FOOTING SECTION
FOOTING DETAIL
SCALE: 1/2" = 1'-0"



6 TYP. FOOTING SECTION
CANOPY FOOTING DETAIL
SCALE: 1/2" = 1'-0"



10 TYPICAL STANDARD
CHEMICALLY-SET BOLTS
SCALE: NOT TO SCALE



Summey Engineering Associates, PLLC
Engineering - Land Planning - Consulting
PO Box 968
Asheboro, NC 27204
Phone: 336-528-0902 Fax: 336-528-0922
E-mail: mack@summey.com
NC Professional Engineering Firm License No. F-0336

No.	Date	Description	By

FOOTING DETAILS
COOK-OUT RESTAURANTS
4145 S. MEMORIAL DRIVE
PITT COUNTY - WINTERVILLE TOWNSHIP - NORTH CAROLINA

Scale	Date	Drawn By	Checked By	Job No.
AS NOTED	FEBRUARY 2019	WBAV/PBC	WBA	E-54150

Sheet No.
F-2
2 of 2