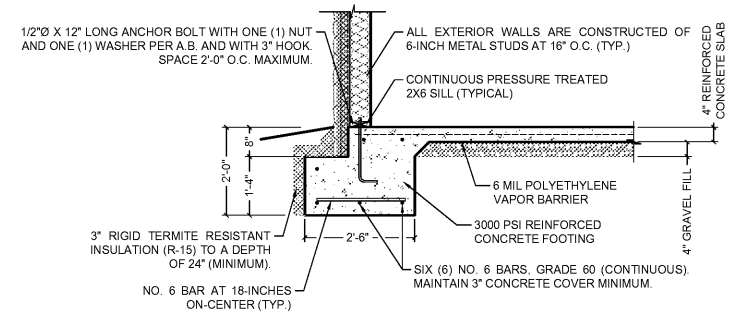


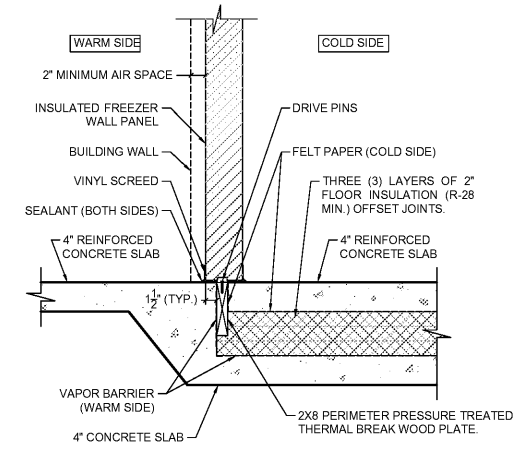
1 FOUNDATION PLAN
F-1 SCALE: 1/4" = 1'-0"

- GENERAL NOTES:**
- CONTRACTOR SHALL TREAT SOIL UNDER SLAB AND AROUND PERIMETER WITH CHEMICALS FOR TERMITE PROTECTION.
 - ALL TIMBER IN CONTACT WITH CONCRETE SHALL BE PRESSURE TREATED.
 - SEE SITE PLAN FOR LOCATION OF WALKS, CURBS, ACCESSIBILITY RAMPS, AND ALL OTHER MISCELLANEOUS SITE WORK.
 - FOOTINGS SHALL BEAR ON UNDISTURBED SOIL WITH A MINIMUM OF 2000 PSF BEARING CAPACITY. GENERAL CONTRACTOR SHALL VERIFY ACTUAL SITE SOIL BEARING CAPACITY BY SOIL COMPACTION TESTING.
 - REINFORCING STEEL (DEFORMED BARS) SHALL BE ASTM A615 (GRADE 60).
 - ANCHOR BOLTS SHALL BE A36 GRADE MINIMUM.
 - STRUCTURAL STEEL SHALL BE $F_y = 50$ KSI.
 - CONTRACTOR SHALL VERIFY THE LOCATION, ANCHOR BOLTS, PLUMBING, AND ELECTRICAL STUB-UPS PRIOR TO POURING SLAB.
 - ALL STRUCTURAL REINFORCING IN CONCRETE SHALL BE SET, TIED, AND INSPECTED BEFORE THE POURING OF THE CONCRETE.
 - GENERAL CONTRACTOR TO VERIFY ANCHOR BOLTS, PLUMBING COMPONENTS, AND ELECTRICAL COMPONENTS ARE IN PLACE AND INSPECTED PRIOR TO POURING SLAB AND PERIMETER FOOTINGS.
 - FOR THE STRUCTURAL STEEL TO BE USED AS PART OF THE GROUNDING ELECTRODE SYSTEM, AS IT IS SHOWN ON THE ELECTRICAL PLAN, THE COLUMN ANCHOR BOLTS MUST BE PHYSICALLY TIED TO THE CONTINUOUS REBAR IN THE FOOTINGS. A MINIMUM OF ONE ANCHOR BOLT PER COLUMN MUST BE ATTACHED TO THE CONTINUOUS REBAR INSTALLED IN THE PERIMETER "TURN-DOWN" FOOTINGS. THE REBAR IN THE PERIMETER "TURN-DOWN" FOOTINGS MUST BE CONTINUOUS AND PHYSICALLY ATTACHED AT EACH CONNECTION/OVERLAP.

FOOTING SIZES		
FOOTING	DESCRIPTION	QUANTITY
FTG1	5'-0" X 5'-0" X 2'-0" DEEP	23
FTG2	5'-0" X 7'-6" X 2'-0" DEEP	1
FTG3	3'-0" X 88'-6" X 3'-0" DEEP	1



2 TYPICAL SECTION THROUGH TURN-DOWN FOOTING
F-1 SCALE: 1/2" = 1'-0"



3 FREEZER/COOLER FOOTING TYPICAL THERMAL BREAK
F-1 SCALE: 1" = 1'-0"



SEA
 Summey Engineering Associates, PLLC
 Engineering - Land Planning - Consulting
 PO Box 968
 Asheville, NC 27204
 Phone: 336-328-0902 Fax: 336-328-0922
 E-mail: mack@summey.com
 NC Professional Engineering Firm License No. P-0336

No.	Date	Description	By

FOUNDATION PLAN & DETAILS
COOK-OUT RESTAURANTS
 4145 S. MEMORIAL DRIVE
 PITT COUNTY - WINTERVILLE TOWNSHIP - NORTH CAROLINA

Scale: AS NOTED
 Date: FEBRUARY 2019
 Drawn By: WBAV/PBC
 Checked By: WBA
 Job No.: E-54150