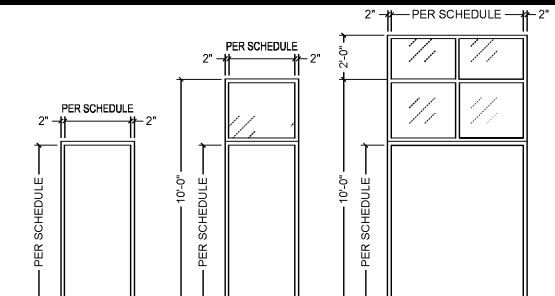


1 TYPICAL WINDOW ELEVATIONS
A-10 SCALE: 1/4" = 1'-0"



2 TYPICAL FRAME ELEVATIONS
A-10 SCALE: 1/4" = 1'-0"

ROOM FINISH SCHEDULE (NEW DESIGN)

ROOM	FLOOR	BASE	WALLS				CEILING	HEIGHT
			A	B	C	D		
DINING ROOM	POLISHED DYED CONC.	FIELD TILE 3	FIELD TILE 3 TO 5'-0" / 1X6 T&G BOARDS ABOVE WITH CROWN MOLDING	FIELD TILE 3 TO 5'-0" / 1X6 T&G BOARDS ABOVE WITH CROWN MOLDING	FIELD TILE 3 TO 5'-0" / 1X6 T&G BOARDS ABOVE WITH CROWN MOLDING	FIELD TILE 3 TO 5'-0" / 1X6 T&G BOARDS ABOVE WITH CROWN MOLDING	ROOF DECK PAINTED BLACK	VARIES
ORDER/PICK-UP	POLISHED DYED CONC.	FIELD TILE 2	FIELD TILE 2	FIELD TILE 2	FIELD TILE 2	FIELD TILE 2	ROOF DECK PAINTED BLACK	VARIES
RESTROOM CORRIDOR	POLISHED DYED CONC.	FIELD TILE 3	FIELD TILE 3 TO 5'-0" / 1X6 T&G BOARDS ABOVE WITH CROWN MOLDING	FIELD TILE 3 TO 5'-0" / 1X6 T&G BOARDS ABOVE WITH CROWN MOLDING	FIELD TILE 3 TO 5'-0" / 1X6 T&G BOARDS ABOVE WITH CROWN MOLDING	FIELD TILE 3 TO 5'-0" / 1X6 T&G BOARDS ABOVE WITH CROWN MOLDING	ROOF DECK PAINTED BLACK	VARIES
RESTROOMS	GLAZED TILE 5	GLAZED TILE 5	FIELD TILE 1 / STONE MOSAIC 2	FIELD TILE 1 / STONE MOSAIC 2	FIELD TILE 1 / STONE MOSAIC 2	FIELD TILE 1 / STONE MOSAIC 2	SOLID GYPSUM EPOXY PAINTED	9'-0"
SERVICE AREA	QUARRY TILE 1	QUARRY TILE 1	FIELD TILE 2	FIELD TILE 2	FIELD TILE 2	FIELD TILE 2	2X4 PVC	9'-4"
KITCHEN	QUARRY TILE 1	QUARRY TILE 1	FRP	FRP	FRP	FRP	2X4 PVC	9'-4"
DRY STORAGE	QUARRY TILE 1	QUARRY TILE 1	FRP	FRP	FRP	FRP	2X4 PVC	9'-4"
UNISEX RESTROOM	QUARRY TILE 1	QUARRY TILE 1	FRP	FRP	FRP	FRP	2X4 PVC	9'-4"
CAN WASH	QUARRY TILE 2	QUARRY TILE 2	QUARRY TILE 2 TO 5'-0" / FRP ABOVE	QUARRY TILE 2 TO 5'-0" / FRP ABOVE	QUARRY TILE 2 TO 5'-0" / FRP ABOVE	QUARRY TILE 2 TO 5'-0" / FRP ABOVE	2X4 PVC	9'-4"
JANITOR'S CLOSET	QUARRY TILE 2	QUARRY TILE 2	FRP	FRP	FRP	FRP	2X4 PVC	9'-0"
COOLER/FREEZER	QUARRY TILE 1	QUARRY TILE 1	COOLER PANELS	COOLER PANELS	COOLER PANELS	COOLER PANELS	COOLER PANELS	SEE COOLER SPECS

ROOM FINISH SCHEDULE (MODERN DESIGN)

ROOM	FLOOR	BASE	WALLS				CEILING	HEIGHT
			A	B	C	D		
DINING ROOM	POLISHED DYED CONC.	WOOD LOOK TILE 2	WOOD LOOK TILE 2 TO 5'-0" / 1X6 T&G BOARDS ABOVE WITH CROWN MOLDING	WOOD LOOK TILE 2 TO 5'-0" / 1X6 T&G BOARDS ABOVE WITH CROWN MOLDING	WOOD LOOK TILE 2 TO 5'-0" / 1X6 T&G BOARDS ABOVE WITH CROWN MOLDING	WOOD LOOK TILE 2 TO 5'-0" / 1X6 T&G BOARDS ABOVE WITH CROWN MOLDING	ROOF DECK PAINTED BLACK	VARIES
ORDER/PICK-UP	POLISHED DYED CONC.	GLAZED TILE 3	GLAZED TILE 3	GLAZED TILE 3	GLAZED TILE 3	GLAZED TILE 3	ROOF DECK PAINTED BLACK	VARIES
RESTROOM CORRIDOR	POLISHED DYED CONC.	WOOD LOOK TILE 2	WOOD LOOK TILE 2 TO 5'-0" / 1X6 T&G BOARDS ABOVE WITH CROWN MOLDING	WOOD LOOK TILE 2 TO 5'-0" / 1X6 T&G BOARDS ABOVE WITH CROWN MOLDING	WOOD LOOK TILE 2 TO 5'-0" / 1X6 T&G BOARDS ABOVE WITH CROWN MOLDING	WOOD LOOK TILE 2 TO 5'-0" / 1X6 T&G BOARDS ABOVE WITH CROWN MOLDING	ROOF DECK PAINTED BLACK	VARIES
RESTROOMS	WOOD LOOK TILE 1	WOOD LOOK TILE 1	GLAZED TILE 1	GLAZED TILE 1	GLAZED TILE 1	GLAZED TILE 1 / GLAZED TILE 3 ACCENT	SOLID GYPSUM EPOXY PAINTED	9'-0"
SERVICE AREA	QUARRY TILE 1	QUARRY TILE 1	GLAZED TILE 3	GLAZED TILE 3	GLAZED TILE 3	GLAZED TILE 3	2X4 PVC	9'-4"
KITCHEN	QUARRY TILE 1	QUARRY TILE 1	FRP	FRP	FRP	FRP	2X4 PVC	9'-4"
DRY STORAGE	QUARRY TILE 1	QUARRY TILE 1	FRP	FRP	FRP	FRP	2X4 PVC	9'-4"
UNISEX RESTROOM	QUARRY TILE 1	QUARRY TILE 1	FRP	FRP	FRP	FRP	2X4 PVC	9'-4"
CAN WASH	QUARRY TILE 2	QUARRY TILE 2	QUARRY TILE 2 TO 5'-0" / FRP ABOVE	QUARRY TILE 2 TO 5'-0" / FRP ABOVE	QUARRY TILE 2 TO 5'-0" / FRP ABOVE	QUARRY TILE 2 TO 5'-0" / FRP ABOVE	2X4 PVC	9'-4"
JANITOR'S CLOSET	QUARRY TILE 2	QUARRY TILE 2	FRP	FRP	FRP	FRP	2X4 PVC	9'-0"
COOLER/FREEZER	QUARRY TILE 1	QUARRY TILE 1	COOLER PANELS	COOLER PANELS	COOLER PANELS	COOLER PANELS	COOLER PANELS	SEE COOLER SPECS

ROOM FINISH SCHEDULE (FARMHOUSE DESIGN)

ROOM	FLOOR	BASE	WALLS				CEILING	HEIGHT
			A	B	C	D		
DINING ROOM	POLISHED DYED CONC.	WOOD LOOK TILE 3	WOOD LOOK TILE 3 TO 5'-0" / APPALACHIAN ANTIQUE HARDWOOD 1X6 T&G BOARDS W/ CROWN MOLDING	WOOD LOOK TILE 3 TO 5'-0" / APPALACHIAN ANTIQUE HARDWOOD 1X6 T&G BOARDS W/ CROWN MOLDING	WOOD LOOK TILE 3 TO 5'-0" / APPALACHIAN ANTIQUE HARDWOOD 1X6 T&G BOARDS W/ CROWN MOLDING	WOOD LOOK TILE 3 TO 5'-0" / APPALACHIAN ANTIQUE HARDWOOD 1X6 T&G BOARDS W/ CROWN MOLDING	ROOF DECK PAINTED BLACK	VARIES
ORDER/PICK-UP	POLISHED DYED CONC.	STONE MOSAIC 1	STONE MOSAIC 1	STONE MOSAIC 1	STONE MOSAIC 1	STONE MOSAIC 1	ROOF DECK PAINTED BLACK	VARIES
RESTROOM CORRIDOR	POLISHED DYED CONC.	WOOD LOOK TILE 3	WOOD LOOK TILE 3 TO 5'-0" / APPALACHIAN ANTIQUE HARDWOOD 1X6 T&G BOARDS W/ CROWN MOLDING	WOOD LOOK TILE 3 TO 5'-0" / APPALACHIAN ANTIQUE HARDWOOD 1X6 T&G BOARDS W/ CROWN MOLDING	WOOD LOOK TILE 3 TO 5'-0" / APPALACHIAN ANTIQUE HARDWOOD 1X6 T&G BOARDS W/ CROWN MOLDING	WOOD LOOK TILE 3 TO 5'-0" / APPALACHIAN ANTIQUE HARDWOOD 1X6 T&G BOARDS W/ CROWN MOLDING	ROOF DECK PAINTED BLACK	VARIES
RESTROOMS	GLAZED PORCELAIN 1	GLAZED PORCELAIN 1	GLAZED PORCELAIN 2	GLAZED PORCELAIN 2	GLAZED PORCELAIN 2	GLAZED PORCELAIN 2 WITH GLAZED PORCELAIN 2 ACCENT	SOLID GYPSUM EPOXY PAINTED	9'-0"
SERVICE AREA	QUARRY TILE 1	QUARRY TILE 1	FIELD TILE 4	FIELD TILE 4	FIELD TILE 4	FIELD TILE 4	2X4 PVC	9'-4"
KITCHEN	QUARRY TILE 3	QUARRY TILE 3	FRP	FRP	FRP	FRP	2X4 PVC	9'-4"
DRY STORAGE	QUARRY TILE 1	QUARRY TILE 1	FRP	FRP	FRP	FRP	2X4 PVC	9'-4"
UNISEX RESTROOM	QUARRY TILE 1	QUARRY TILE 1	FRP	FRP	FRP	FRP	2X4 PVC	9'-4"
CAN WASH	QUARRY TILE 2	QUARRY TILE 2	QUARRY TILE 2 TO 5'-0" / FRP ABOVE	QUARRY TILE 2 TO 5'-0" / FRP ABOVE	QUARRY TILE 2 TO 5'-0" / FRP ABOVE	QUARRY TILE 2 TO 5'-0" / FRP ABOVE	2X4 PVC	9'-4"
JANITOR'S CLOSET	QUARRY TILE 2	QUARRY TILE 2	FRP	FRP	FRP	FRP	2X4 PVC	9'-0"
COOLER/FREEZER	QUARRY TILE 1	QUARRY TILE 1	COOLER PANELS	COOLER PANELS	COOLER PANELS	COOLER PANELS	COOLER PANELS	SEE COOLER SPECS

QUARRY TILE:
 1. 6-INCH X 6-INCH ABRASIVE RED QUARRY TILE WITH COVE BASE LATICRETE SPECTRALOCK 2000 IS MENDIGHT BLACK EPOXY GROUT.
 2. 6-INCH X 6-INCH RED QUARRY TILE WITH COVE BASE LATICRETE SPECTRALOCK 2000 IS MENDIGHT BLACK EPOXY GROUT.
 3. 6-INCH X 6-INCH QUARRY TILE WITH COVE BASE LATICRETE SPECTRALOCK 2000 IS MENDIGHT BLACK EPOXY GROUT.
 4. 6-INCH X 6-INCH BULLNOSE, 5-INCH X 6-INCH COVE BASE LATICRETE SPECTRALOCK 2000 IS MENDIGHT BLACK EPOXY GROUT.

STONE MOSAIC:
 1. DAL TILE 12-INCH X 12-INCH PEBBLE BROWN, F018.
 2. 4-INCH X 12-INCH SLICED, CREAM BOTANY BAY, 47BOTCRE412S.

FIELD TILE:
 1. 12-INCH X 24-INCH GRAY FIELD ATLANTA, 16ATLGRN124.
 2. 3-INCH X 36-INCH GRAY FIELD CHARLESTON, 04CHATM336.
 3. 6-INCH X 24-INCH DRIFTWOOD FIELD SONORA, 63SONDR624.
 4. DAL TILE 4-INCH X 8-INCH BRICKWORK STUDIO BW01

WOOD LOOK TILE:
 1. DAL TILE 9-INCH X 36-INCH FOREST PARK, BLACKWOOD, FP99.
 2. DAL TILE 6-INCH X 36-INCH HILLHOUSE, TEAK, HH03.
 3. DAL TILE 6-INCH X 36-INCH SADDLE BROOK, WALNUT CREEK, SD15.

GLAZED TILE:
 1. DAL TILE 6-INCH X 16-INCH NAPOLI, NAPOLI, AP08 BEVELED.
 2. DAL TILE 6-INCH X 16-INCH NAPOLI, SANITARY, AP08 SHIT.
 3. DAL TILE 12-INCH X 24-INCH SHOT, SHOT, SHIT.
 4. DAL TILE 12-INCH X 24-INCH SHOT, SHOT, SHIT.
 5. DAL TILE 12-INCH X 24-INCH SHOT, SHOT, SHIT.
 6. DAL TILE 12-INCH X 24-INCH SHOT, SHOT, SHIT.
 7. DAL TILE 12-INCH X 24-INCH SHOT, SHOT, SHIT.
 8. DAL TILE 12-INCH X 24-INCH SHOT, SHOT, SHIT.
 9. DAL TILE 12-INCH X 24-INCH SHOT, SHOT, SHIT.
 10. DAL TILE 12-INCH X 24-INCH SHOT, SHOT, SHIT.

GLAZED PORCELAIN TILE:
 1. DAL TILE 12-INCH X 12-INCH VOLUME 1.0, ACCENT BROWN, V17B.
 2. DAL TILE 12-INCH X 12-INCH VOLUME 1.0, ACCENT BROWN, V17B.
 3. DAL TILE 12-INCH X 12-INCH VOLUME 1.0, ACCENT BROWN, V17B.
 4. DAL TILE 12-INCH X 12-INCH VOLUME 1.0, ACCENT BROWN, V17B.
 5. DAL TILE 12-INCH X 12-INCH VOLUME 1.0, ACCENT BROWN, V17B.
 6. DAL TILE 12-INCH X 12-INCH VOLUME 1.0, ACCENT BROWN, V17B.
 7. DAL TILE 12-INCH X 12-INCH VOLUME 1.0, ACCENT BROWN, V17B.
 8. DAL TILE 12-INCH X 12-INCH VOLUME 1.0, ACCENT BROWN, V17B.
 9. DAL TILE 12-INCH X 12-INCH VOLUME 1.0, ACCENT BROWN, V17B.
 10. DAL TILE 12-INCH X 12-INCH VOLUME 1.0, ACCENT BROWN, V17B.

ROOM FINISH SCHEDULE GENERAL NOTES:
 1. ALL FINISH SURFACES INCLUDING TILE ARE TO BE SLIP-RESISTANT IN ACCORDANCE WITH 2015 INTERNATIONAL BUILDING CODE, SECTION 1003.4.
 2. 5/8-INCH TYPE X GYPSUM BOARD COVERED WITH A LAYER OF 20 GAUGE STAINLESS STEEL IS TO BE INSTALLED ON THE WALL BEHIND THE HOOD. USE METAL SUDS ONLY. EXTEND 18-INCHES VERTICALLY ABOVE TOP OF HOOD.
 3. ALL INTERIOR WALL AND CEILING FINISHES ARE TO BE CLASS A AND MEET THE REQUIREMENTS FOR GROUP A-2 PER THE 2015 INTERNATIONAL BUILDING CODE, TABLE 803.11.
 4. FRP MATERIAL IS KEMITE FIRE-X GLASSBORO (SEE TECHNICAL BULLETIN 6226).
 5. CONCRETE FLOORS (PER SCHEDULE) SHALL BE DYED AND POLISHED. CONTROL JOINTS SHALL BE SEALED WITH QUICK JOINT 85 BY CSS POLYMERS, INC. VERIFY WITH OWNER PRIOR TO INSTALLATION.
 6. DOOR FRAMES SHALL BE PAINTED BATTLESHIP GRAY.
 7. WATERPROOF ALL 90° FLOOR TO WALL AREAS IN KITCHEN WITH HYDROBAN AND FABRIC.
 8. CEILING IN MEN AND WOMEN RESTROOMS SHALL BE PAINTED AND SEALED WITH EPOXY PAINT.
 9. FLOOR TILE IN COOLER/FREEZER SHALL BE INSTALLED PRIOR TO INSTALLATION OF COOLER/FREEZER. ZERO CLEARANCE ENTRY SHALL BE MAINTAINED FROM KITCHEN INTO COOLER/FREEZER.
 10. MEN AND WOMEN RESTROOMS:
 A. NEW DESIGN SHALL HAVE FIVE (5) COURSES OF FIELD TILE 1 IN HORIZONTAL RUNNING BOND, ACCENT BAND OF STONE MOSAIC 2, AND FINALLY ONE (1) COURSE OF FIELD 1 INSTALLED VERTICALLY. TILE SHALL BE CUT TO THE HEIGHT OF THE TOP OF THE DOOR JAM AND FINISHED WITH SCHLUTER A6100 TRIM. VERIFY WITH OWNER PRIOR TO INSTALLATION.
 B. MODERN DESIGN SHALL HAVE TWO (2) COURSES OF WOOD LOOK TILE 1 AS BASE FOLLOWED BY ELEVEN (11) COURSES OF GLAZED TILE 1 IN HORIZONTAL RUNNING BOND. GLAZED TILE 3 ACCENT SHALL BE INSTALLED FROM TOP OF SINK BEHIND MIRROR. FULL HEIGHT (PATTERN SHALL BE DETERMINED BY OWNER). TILE SHALL BE CUT TO THE HEIGHT OF THE DOOR JAM AND FINISHED WITH A6100 SCHLUTER TRIM. VERIFY WITH OWNER PRIOR TO INSTALLATION.
 C. RUSTIC DESIGN SHALL HAVE TWO (2) COURSES OF WOOD LOOK TILE 1 AS BASE FOLLOWED BY ELEVEN (11) COURSES OF GLAZED TILE 1 IN HORIZONTAL RUNNING BOND. STONE MOSAIC 1 ACCENT SHALL BE INSTALLED FROM TOP OF SINK BEHIND MIRROR. FULL HEIGHT. TILE SHALL BE CUT TO THE HEIGHT OF THE DOOR JAM AND FINISHED WITH A6100 SCHLUTER TRIM. VERIFY WITH OWNER PRIOR TO INSTALLATION.
 11. DINING ROOM, RESTROOM CORRIDOR, KNEE WALLS, AND DRIVE THROUGH WALL(S) SHALL HAVE TILE INSTALLED IN THIRD (1/3) HORIZONTAL RUNNING BOND TO 5-FEET CAPPED WITH SCHLUTER A6100 TRIM AT THE TOP AND AROUND WINDOWS. 1X6 CLEAR PINE TONGUE-AND-GROOVE BOARD INSTALLED VERTICALLY ABOVE TO A TOTAL HEIGHT OF 12-FEET. VERIFY WITH OWNER PRIOR TO INSTALLATION.
 12. ALL EXTERIOR WALL DIMENSIONS ARE MEASURED TO APPROXIMATE EDGE OF VENEER, UNLESS OTHERWISE NOTED.
 13. ALL INTERIOR WALL DIMENSIONS ARE MEASURED TO SUB-WALL SHEATHING, UNLESS OTHERWISE NOTED.
 14. USE DIMENSIONS PROVIDED, DO NOT SCALE THESE DRAWINGS.
 15. SCHLUTER RAMP AERP125B90 USED FOR THE TRANSITION FROM TILE TO CONCRETE FLOORING.
 16. WALL BEHIND ORDER/PICKUP COUNTER SHALL HAVE FIELD TILE 2 INSTALLED FROM FLOOR TO A HEIGHT OF 12-FEET (PATTERN PER OWNER).
 17. SEE SHEET A-1 FOR FINISH LETTER DESIGNATION.
 18. DYED POLISHED CONCRETE FLOOR SHALL BE SAW CUT IN A 4-FOOT X 4-FOOT GRID AT A 45° ANGLE. VERIFY WITH OWNER PRIOR TO SAW CUTTING CONCRETE.

SPECIFIED ROOM FINISH

OWNER SHALL SPECIFY REQUIRED ROOM FINISH SCHEDULE WITH CONTRACTOR.
 I HEREBY SPECIFY THE FOLLOWING ROOM FINISH TO BE INSTALLED BY THE CONTRACTOR.
 NEW DESIGN ROOM FINISH
 MODERN DESIGN ROOM FINISH
 RUSTIC DESIGN ROOM FINISH
 (OWNER SIGNATURE) (DATE)
 I HEREBY ACKNOWLEDGE THE ABOVE SPECIFIED ROOM FINISH TO BE INSTALLED PER OWNER REQUIREMENTS.
 (CONTRACTOR SIGNATURE) (DATE)

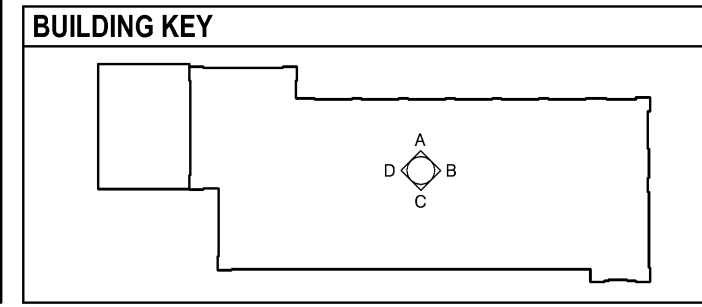
DOOR AND WINDOW SCHEDULE

NO.	DESCRIPTION	SIZE	TYPE	FRAME		GLASS	**HARDWARE NOTES
				MATERIAL	ELEV		
1	DOOR	3'-6" X 7'-0"	18 GA. CR STEEL POLYSTYRENE CORE	D1	16 GA. CR STEEL WELDED	F1	N/A (2)A, E, (2)F, M, O, Q, R, T, (3)W, X
2	DOOR (UNISEX RESTROOM)	3'-0" X 7'-0"	18 GA. CR STEEL POLYSTYRENE CORE	D1	16 GA. CR STEEL WELDED	F1	N/A (2)B, E, H, P, Q, U, (3)W
3	COOLER DOOR	3'-0" X 6'-6"	COOLER	-	METAL	-	N/A FURNISHED BY COOLER SUPPLIER
4	FREEZER DOOR	3'-0" X 6'-6"	FREEZER	-	METAL	-	N/A FURNISHED BY FREEZER SUPPLIER
5	WINDOW	1'-6" X 4'-4"	FIXED	W6	ALUMINUM	-	1" INSULATED SHOP BUILT - FIXED GLASS
6	SERVICE WINDOW	4'-0" X 3'-0"	SELF-CLOSING	W1	ALUMINUM	-	1/4" TEMPERED QUIKSERV MODEL SC-4030/FSC-4030 RIGHT HAND SIDES - LEFT FIXED (WITH TRANSOM)
7	SERVICE WINDOW	3'-0" X 3'-0"	SELF-CLOSING	W2	ALUMINUM	-	1/4" TEMPERED QUIKSERV MODEL SC-3030/FSC-3030 RIGHT HAND SIDES - LEFT FIXED (WITH TRANSOM)
8	DOOR	3'-0" X 7'-0"	18 GA. CR STEEL POLYSTYRENE CORE	D1	16 GA. CR STEEL WELDED	F1	N/A (2)A, E, (2)F, O, Q, (3)W, X
9	DOOR	2'-8" X 7'-0"	18 GA. CR STEEL POLYSTYRENE CORE	D2	16 GA. CR STEEL WELDED	F1	N/A (2)B, E, I, J (OPTIONAL), P, Q, U, (3)W
10	DOOR (RESTROOM)	3'-0" X 7'-0"	WOOD (CLEAR BIRCH)	D1	16 GA. CR STEEL WELDED	F1	N/A (2)B, E, K, L, P, Q, (3)W
11	DOOR	3'-0" X 7'-0"	ALUMINUM	D3	ALUMINUM	F2	1/4" TEMPERED D, G, M, O, Q, R, S (WITH TRANSOM)
12	WINDOW	4'-4" X 8'-0"	FIXED - 2 LITE	W4	ALUMINUM	-	1" INSULATED TEMPERED SAFETY GLASS REQUIRED ON LOWER PANES BELOW 18" A.F.F.
13	WINDOW	8'-0" X 8'-0"	FIXED - 4 LITE	W3	ALUMINUM	-	1" INSULATED TEMPERED SAFETY GLASS REQUIRED ON LOWER PANES BELOW 18" A.F.F.
14	WINDOW	8'-0" X 8'-0"	FIXED - 4 LITE	W5	ALUMINUM	-	1" INSULATED TEMPERED SAFETY GLASS REQD ON LOWER PANES BELOW 18" A.F.F. (W/ TRANSOM)
15	DOOR (ENTRY)	(2) 3'-0" X 7'-0"	ALUMINUM	D3	ALUMINUM	F3	1/4" TEMPERED (2)D, G, M, O, Q, R, S (WITH TRANSOM)

HARDWARE OPTIONS:
 A. KICK PLATE
 B. KICK PLATE
 C. KICK PLATE
 D. BUTT HINGES, PAIR
 E. CONTINUOUS HINGE
 F. DOOR SCOPE
 G. CYLINDRICAL LOCKSET
 H. LOCKSET
 I. LOCKSET
 J. LOCKSET
 K. DOOR PULL
 L. PUSH PLATE
 M. EXIT DEVICE
 N. LEVER HANDLE SET
 O. SURFACE CLOSER
 P. SURFACE CLOSER
 Q. THRESHOLD
 R. WEATHER STRIPPING
 S. DOOR SWEEP
 T. GASKETING
 U. WALL DOOR STOP
 V. FLOOR DOOR STOP
 W. DOOR SILENCER
 X. LOUVER, THRU-DOOR

ROCKWOOD 30" X 40" K1050 X 0.050 32D
 ROCKWOOD 12" X 34" K1050 X 0.050 32D
 ROCKWOOD 12" X 28" K1050 X 0.050 32D
 NRP STAINLESS STEEL WITH BEARINGS
 ABH A210H083
 DS1000MG GREY FINISH
 KEYS OUTSIDE, THUMB TURN INSIDE TO MATCH SCHLAGE KEYING
 SCHLAGE ND40S ATH 626 X ATH 626
 SCHLAGE ND50P ATH 626 X ATH 626
 KABA SIMPLEX 5021S PUSHBUTTON
 IVES 8302-6 4" X 16" US32D
 IVES 8200 4" X 16" US32D (6"-CTC)
 VON DUPRIN 99-L-NL X 996-NL-R US26D LHR #03 LEVER 42" X 84" DOOR ND10S X ATH DORMA 8616 DS 689 (HEAVY DUTY) DORMA 8616 ARP FC SNB1 689 NGP 898V-42" NGP 152VA-72" X 84"
 NGP 199NA-42"
 ROCKWOOD 409 US32D
 ROCKWOOD 440 US26D
 ROCKWOOD 608
 12" X 12" ALUMINUM FINISH TO MATCH ALUMINUM STOREFRONT

DOOR AND WINDOW SCHEDULE NOTES:
 1. ALL DOORS TO HAVE SILENCERS.
 2. DOORS TO BE KEYPED BY OWNER.
 3. DOOR FRAMES TO HAVE (5) ATTACHMENT CLIPS ON EACH SIDE AND (2) CLIPS AT THE TOP FOR CONNECTION TO WALLS.
 4. QUIKSERV SLIDERS TO BE CLEAR ANODIZED WITH 16" HIGH TRANSOMS.
 5. ALL GLAZING WITHIN 18" OF FINISHED FLOOR MUST BE TEMPERED SAFETY GLASS.
 6. ALL DOOR HARDWARE SHALL MEET THE EASE OF OPERATION AND GRASP REQUIREMENTS OF 2009 ICC/ANSI 117.1, SEC. 309.
 7. ALL EXTERIOR DOORS AND WINDOWS ARE TO BE SUFFICIENT TO WITHSTAND LOCAL WIND ZONE FORCES PER CURRENT BUILDING CODE REQUIREMENTS.
 8. SEE SHEET A-1 FOR DOOR AND WINDOW NUMBER DESIGNATIONS.



BRIAN LATHROP, ARCHITECT
 Healthcare Architecture Planning Project Analysis Interiors
 6270 Black Rock Court, Cumming, GA 30041 (770)963-7300
 The drawing and all parts of it are the property of Brian Lathrop, Architect. Plans are to be returned upon completion. Brian Lathrop, Architect does not warrant or represent that the drawings are accurate or complete. Brian Lathrop, Architect is not responsible for any errors or omissions in the drawings.

REV. NO. DATE DESCRIPTION

STAMP

COMMERCIAL SITE DESIGN, PLLC
 832 Crendmore Road
 Raleigh, NC 27610 (919) 948-9121

SUMMEY ENGINEERING ASSOC., PLLC
 P.O. Box 688
 Ashboro, NC 27204 (336) 328-0902

SUMMEY ENGINEERING ASSOC., PLLC
 P.O. Box 688
 Ashboro, NC 27204 (336) 328-0902

COOK-OUT RESTAURANTS
 4145 S. MEMORIAL DRIVE
 PITT COUNTY - WINTERVILLE TOWNSHIP - NORTH CAROLINA

BUILDING PLANS FOR
 JOB NO. E-540
 DRAWN VBA
 CHECKED BR
 DATE 02.15.2019
 TITLE ROOM FINISH SCHEDULE AND DOOR AND WINDOW SCHEDULE
 SHEET NO. A-10