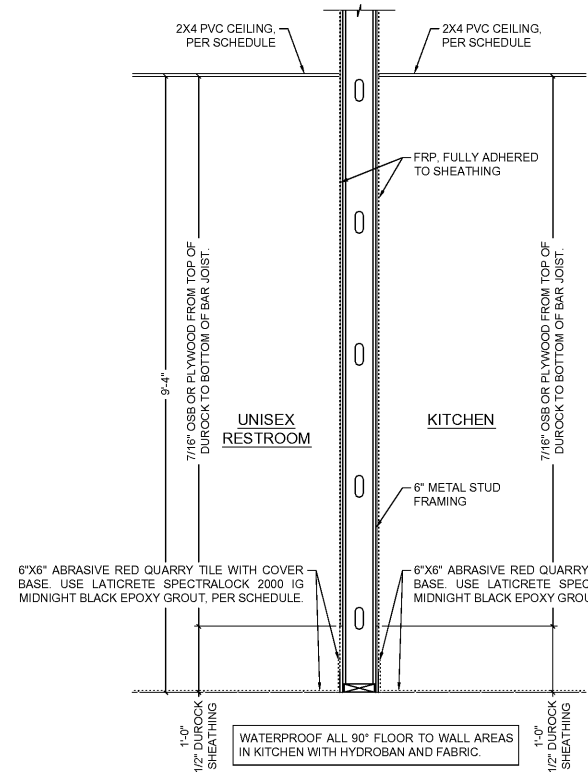
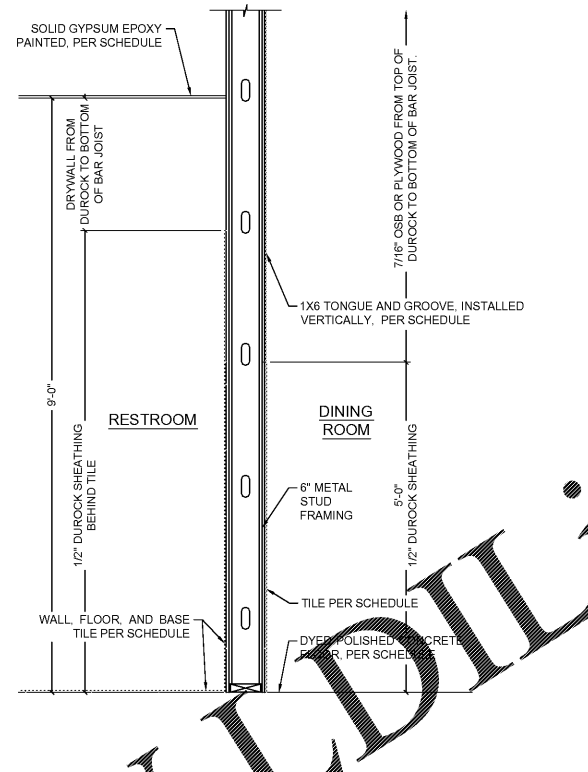


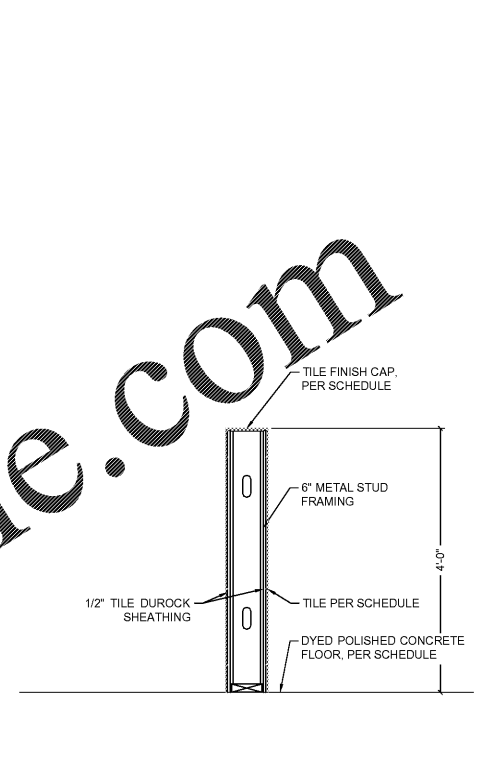
1 TYPICAL WALL SECTION BETWEEN CAN WASH AND KITCHEN
A-9 SCALE: 3/4" = 1'-0"



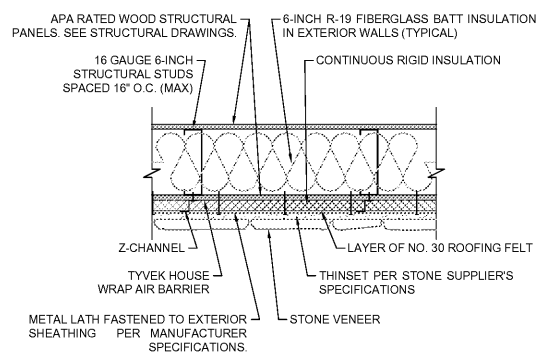
2 TYPICAL WALL SECTION BETWEEN UNISEX RESTROOM AND KITCHEN
A-9 SCALE: 3/4" = 1'-0"



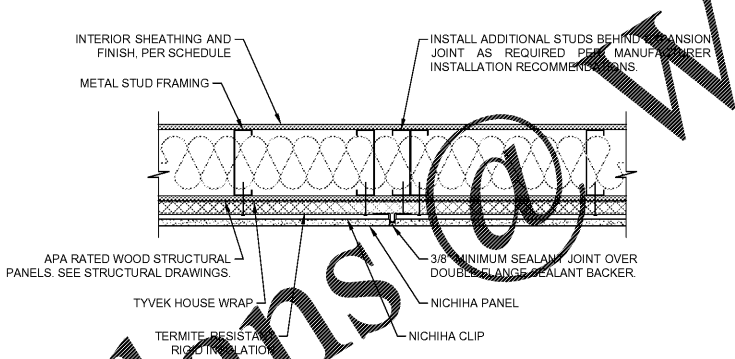
3 TYPICAL WALL SECTION BETWEEN RESTROOM(S) AND DINING ROOM
A-9 SCALE: 3/4" = 1'-0"



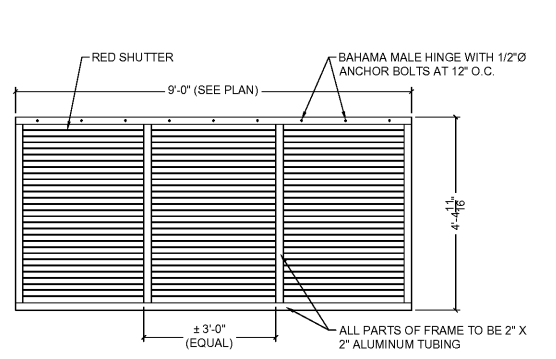
4 TYPICAL WALL SECTION DINING ROOM SEATING BARRIER
A-9 SCALE: 3/4" = 1'-0"



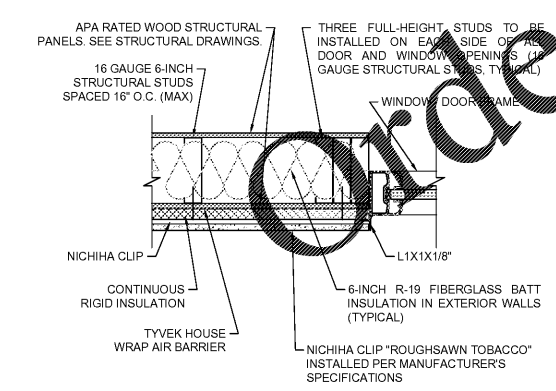
5 TYP. MASONRY WALL CONNECTION DETAIL
A-9 SCALE: 1-1/2" = 1'-0"



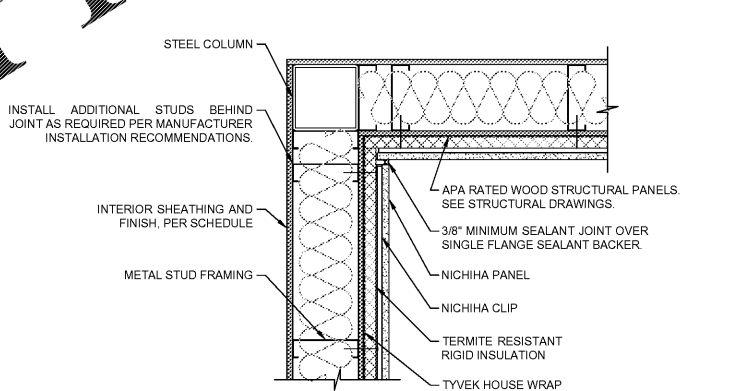
6 TYPICAL NICHIIHA PANEL EXPANSION JOINT DETAIL
A-9 SCALE: 1/2" = 1'-0"



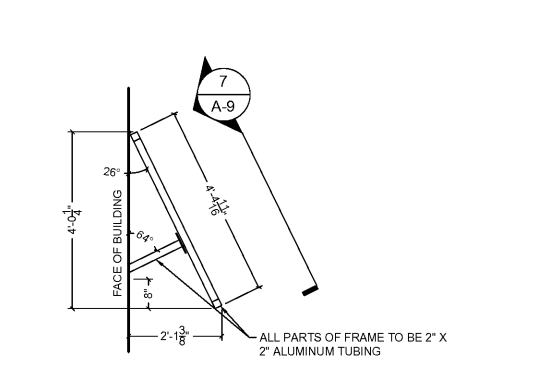
7 BAHAMA SHUTTER SECTION
A-9 SCALE: 1/2" = 1'-0"



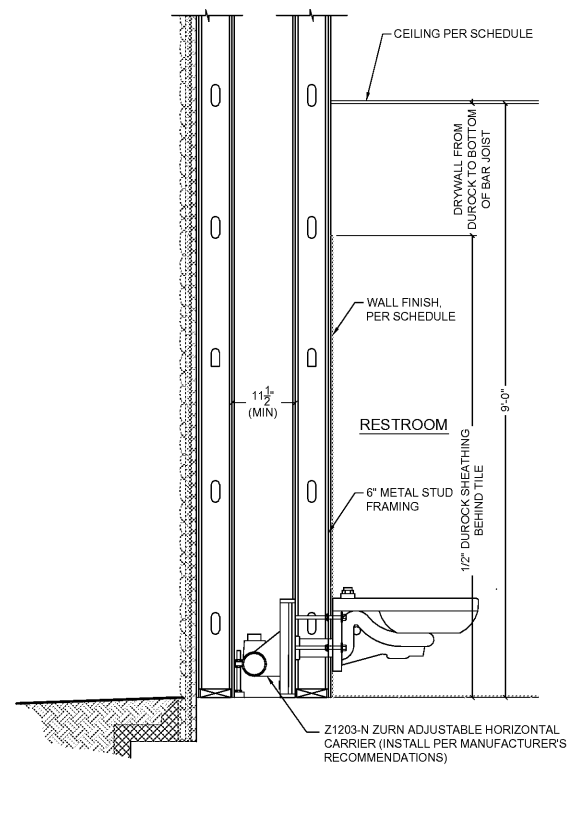
8 TYP. DETAIL AT DOOR/WINDOW OPENINGS
A-9 SCALE: 1-1/2" = 1'-0"



9 TYPICAL NICHIIHA PANEL INSIDE CORNER DETAIL
A-9 SCALE: 1-1/2" = 1'-0"



10 BAHAMA SHUTTER SIDE VIEW
A-9 SCALE: 1/2" = 1'-0"



11 TYPICAL WALL SECTION WATER CLOSET MOUNTING DETAIL
A-9 SCALE: 3/4" = 1'-0"

BRIAN LATHROP, ARCHITECT
Healthcare Architecture Planning Project Analysis Interiors
6270 Black Rock Court Cumming, GA 30041 (770)983-7300
The drawing and all parts of it are the property of Brian Lathrop, Architect. Prints are to be returned upon completion. Brian Lathrop, Architect reserves all rights in this drawing and all parts of it. No part of this drawing may be reproduced without the written permission of Brian Lathrop, Architect.

REV. NO. DATE DESCRIPTION
STAMP
BRIAN LATHROP ARCHITECT
CUMMING, GA
4/5/19

THE ENGINEERING
COMMERCIAL SITE DESIGN, PLLC
5372 Crendmore Road
Raleigh, NC 27615 (919) 848-8121
SUMMEY ENGINEERING ASSOC., PLLC
P.O. Box 688
Asheboro, NC 27204 (336) 328-0902
MECHANICAL, ELECTRICAL, PLUMBING ENGINEERING
SUMMEY ENGINEERING ASSOC., PLLC
P.O. Box 688
Asheboro, NC 27204 (336) 328-0902

BUILDING PLANS FOR
COOK-OUT RESTAURANTS
4145 S. MEMORIAL DRIVE
PITT COUNTY - WINTERVILLE TOWNSHIP - NORTH CAROLINA

KEY PLAN
JOB NO. E-5450
DRAWN VBA
CHECKED BRL
DATE 02.15.2019
TITLE TYPICAL WALL SECTIONS AND DETAILS
SHEET NO. A-9