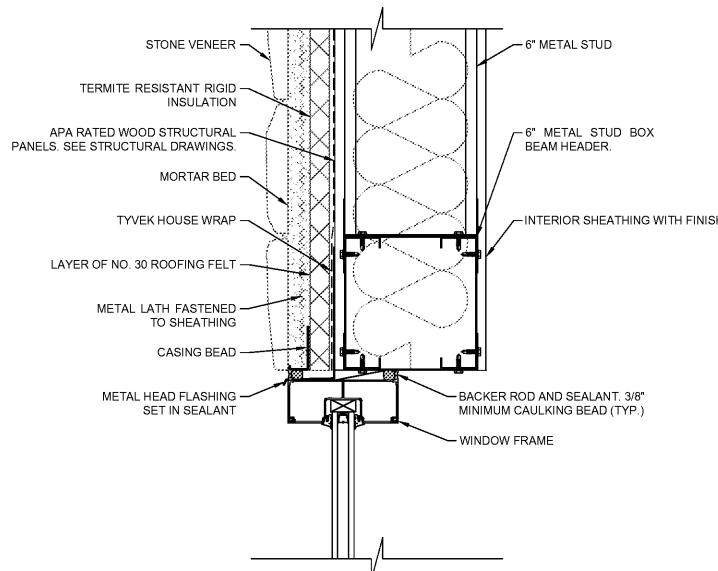
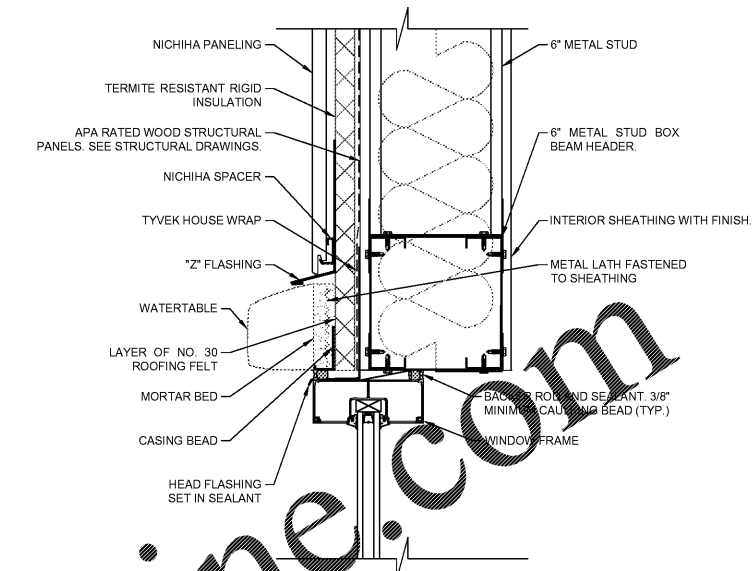


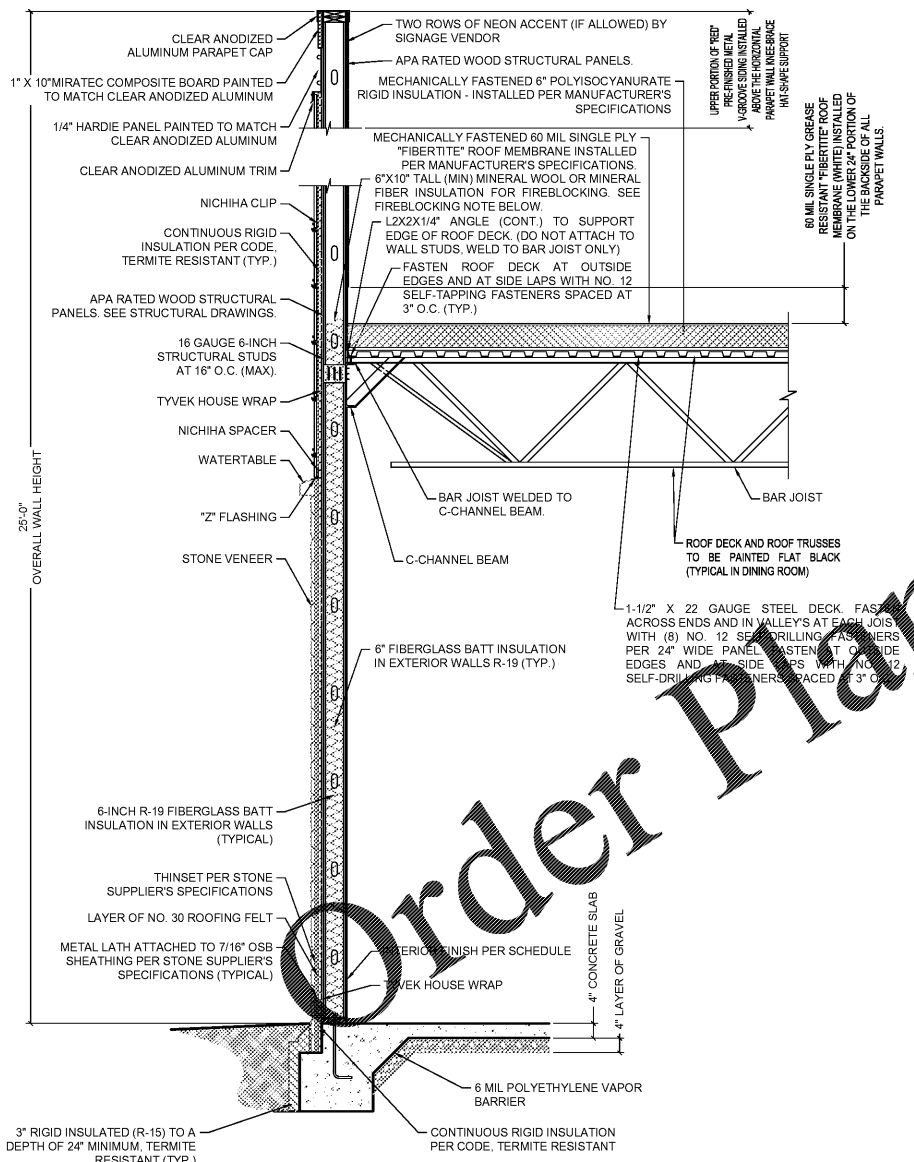
1 TYPICAL WINDOW SILL PROFILE  
A-8 SCALE: 3" = 1'-0"



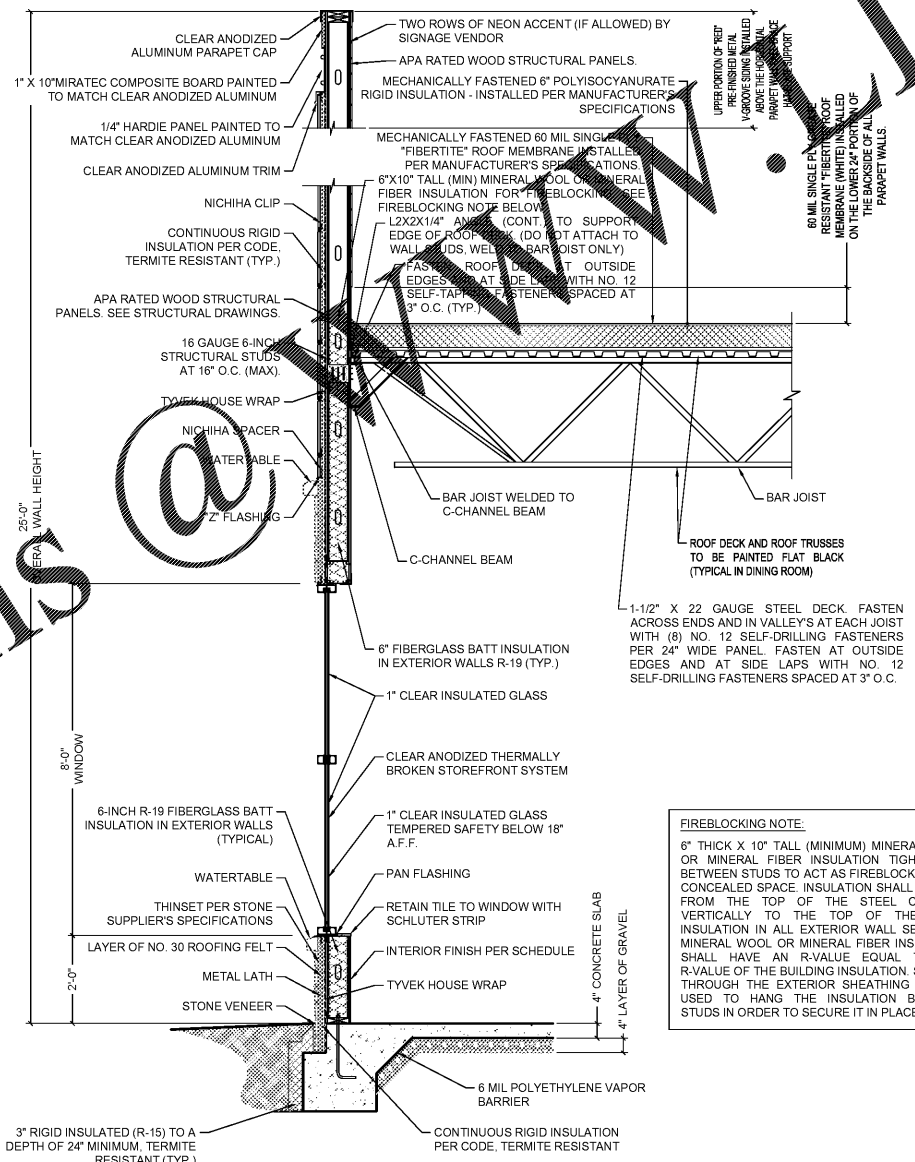
2 TYPICAL WINDOW HEADER PROFILE  
A-8 SCALE: 3" = 1'-0"



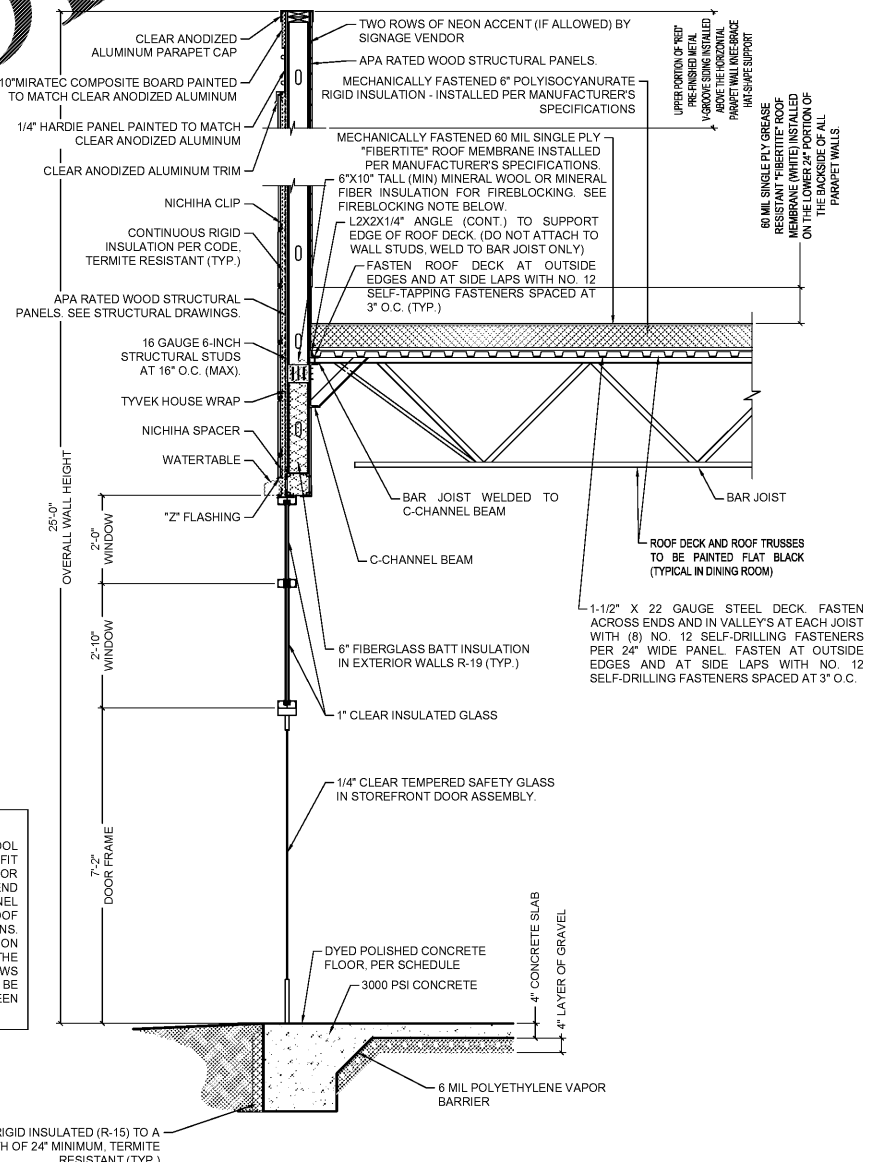
3 TYPICAL WINDOW HEADER PROFILE  
A-8 SCALE: 3" = 1'-0"



4 TYPICAL WALL SECTION EXTERIOR WALL  
A-8 SCALE: NOT TO SCALE



5 TYPICAL WALL SECTION EXTERIOR WINDOW  
A-8 SCALE: NOT TO SCALE



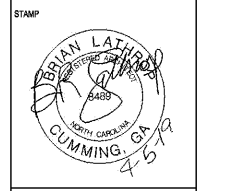
6 TYPICAL WALL SECTION FRONT ENTRANCE  
A-8 SCALE: NOT TO SCALE

**FIREBLOCKING NOTE:**  
6" THICK X 10" TALL (MINIMUM) MINERAL WOOL OR MINERAL FIBER INSULATION TIGHTLY FIT BETWEEN STUDS TO ACT AS FIREBLOCKING FOR CONCEALED SPACE. INSULATION SHALL EXTEND FROM THE TOP OF THE STEEL CHANNEL INSULATION IN ALL EXTERIOR WALL SECTIONS. MINERAL WOOL OR MINERAL FIBER INSULATION SHALL HAVE AN R-VALUE EQUAL TO THE R-VALUE OF THE BUILDING INSULATION. SCREWS THROUGH THE EXTERIOR SHEATHING MAY BE USED TO HANG THE INSULATION BETWEEN STUDS IN ORDER TO SECURE IT IN PLACE.

**Order Plans @**

**BRIAN LATHROP, ARCHITECT**  
Healthcare Architecture Planning Project Analysis Interiors  
6270 Black Rock Court Cumming, GA 30041 (770)963-7300  
The drawing and all parts of it are the property of Brian Lathrop, Architect. Plans are to be returned upon completion. Brian Lathrop, Architect reserves the right to modify and/or delete any portion of these drawings without notice.

REV. NO.	DATE	DESCRIPTION



COMMERCIAL SITE DESIGN, PLLC  
832 Crendellwood Road Raleigh, NC 27615 (919) 848-9121  
SUMMEY ENGINEERING ASSOC., PLLC  
P.O. Box 968 Ashboro, NC 27204 (336) 328-0902  
SUMMEY ENGINEERING ASSOC., PLLC  
P.O. Box 968 Ashboro, NC 27204 (336) 328-0902

BUILDING PLANS FOR  
**COOK-OUT RESTAURANTS**  
4145 S. MEMORIAL DRIVE  
PITT COUNTY - WINTERVILLE TOWNSHIP - NORTH CAROLINA

KEY PLAN  
JOB NO. E-5450  
DRAWN VBA  
CHECKED BR  
DATE 02.15.2019  
TITLE TYPICAL WALL SECTIONS AND DETAILS  
SHEET NO. A-8