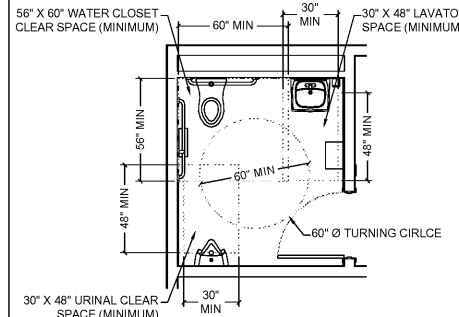
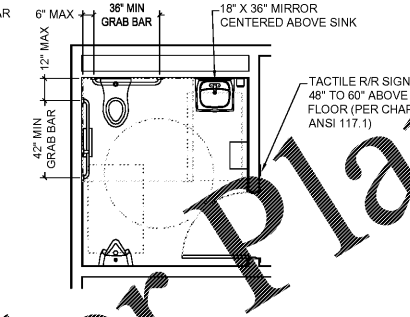


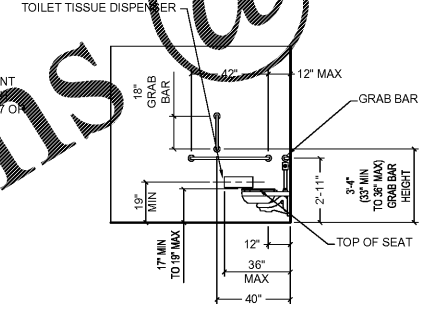
1 LIFE SAFETY PLAN
LS-1 SCALE: 1/4" = 1'-0"



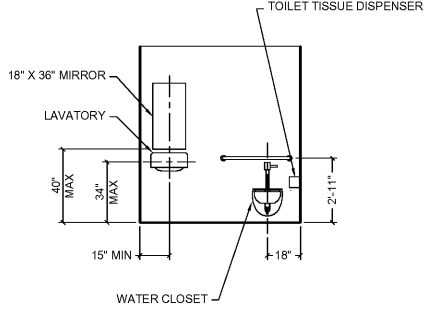
1 TYPICAL FIXTURE HEIGHTS (ELEV)
LS-1 SCALE: 1/4" = 1'-0"



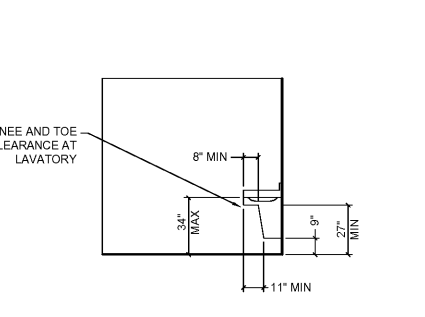
2 TYPICAL FIXTURE HEIGHTS (ELEV)
LS-1 SCALE: 1/4" = 1'-0"



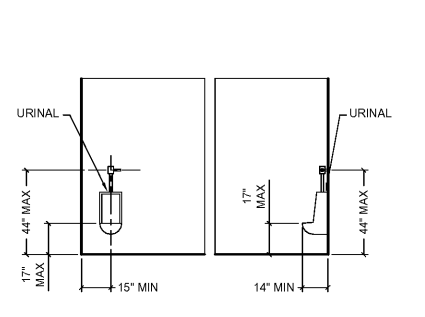
4 TYPICAL FIXTURE HEIGHTS (ELEV)
LS-1 SCALE: 1/4" = 1'-0"



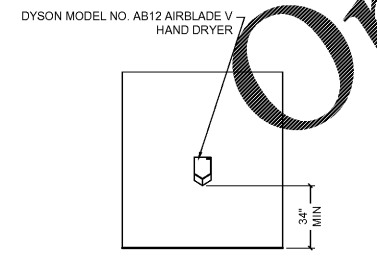
5 TYPICAL FIXTURE HEIGHTS (ELEV)
LS-1 SCALE: 1/4" = 1'-0"



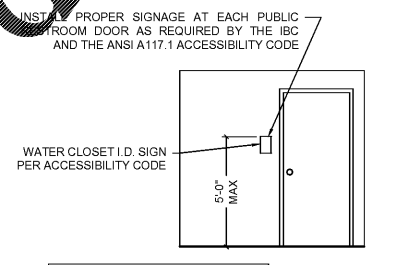
6 TYPICAL FIXTURE HEIGHTS (ELEV)
LS-1 SCALE: 1/4" = 1'-0"



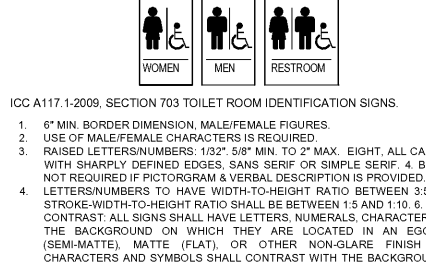
7 TYPICAL FIXTURE HEIGHTS (ELEV)
LS-1 SCALE: 1/4" = 1'-0"



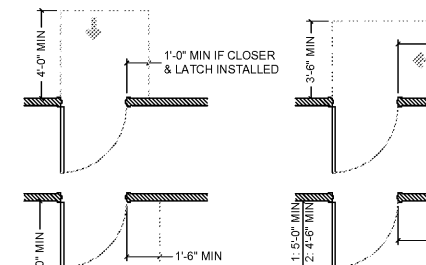
8 TYP HAND DRYER HEIGHTS (ELEV)
LS-1 SCALE: 1/4" = 1'-0"



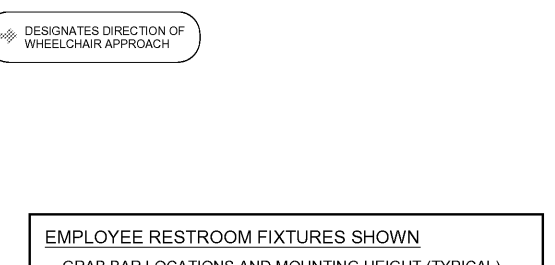
9 TYP SIGNAGE HEIGHTS (ELEV)
LS-1 SCALE: 1/4" = 1'-0"



10 ACCESSORY SIGNAGE DETAIL
LS-1 SCALE: NOT TO SCALE



11 DOOR MANEUVERING CLEARANCES
LS-1 SCALE: NOT TO SCALE



BRIAN LATHROP, ARCHITECT
Healthcare Architecture Planning Project Analysis Interiors
6270 Black Rock Court Cumming, GA 30041 (770)963-7300
The drawing and all parts of it are the property of Brian Lathrop, Architect. Plans are to be returned upon completion. Brian Lathrop, Architect reserves the right to make changes to the drawing without notice.

REV. NO.	DATE	DESCRIPTION

STAMP
BRIAN LATHROP
ARCHITECT
CUMMING, GA
4/5/19

COMMERCIAL SITE DESIGN, PLLC
6372 Crendellwood Road
Raleigh, NC 27615 (919) 848-8121

SUMMEY ENGINEERING ASSOC., PLLC
P.O. Box 698
Asheboro, NC 27204 (336) 328-0902

SUMMEY ENGINEERING ASSOC., PLLC
P.O. Box 698
Asheboro, NC 27204 (336) 328-0902

BUILDING PLANS FOR
COOK-OUT RESTAURANTS
41/45 S. MEMORIAL DRIVE
PITT COUNTY - WINTERVILLE TOWNSHIP - NORTH CAROLINA

KEY PLAN

JOB NO.	E-5490
DRAWN BY	WBA
CHECKED BY	BRL
DATE	02/15/2019
TITLE	LIFE SAFETY PLAN AND ADA ACCESSIBILITY ROUTES
SHEET NO.	LS-1