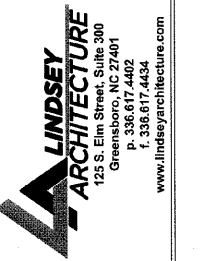


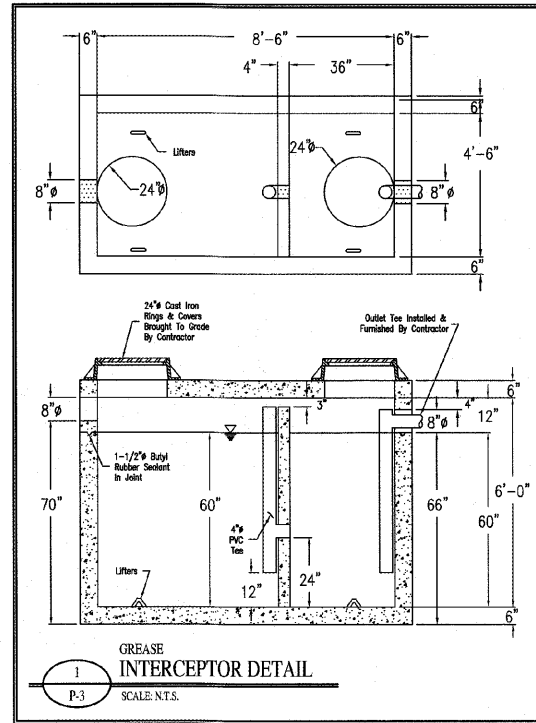


Alamance Consulting Engineers

961-F Burlington Ave.
Gibsonville, N.C. 27249
Phone: (336) 449-4558
www.ace-nc.net
N.C. Firm License Number C-2071



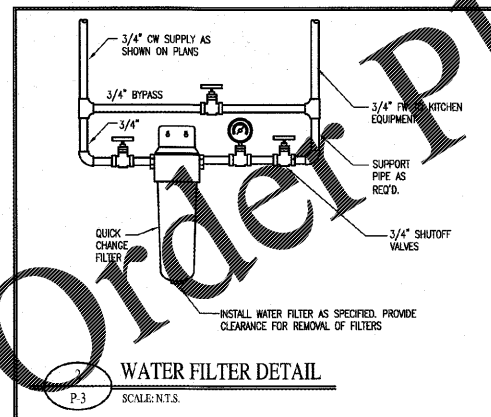
NEW BUILDING FACILITY:
COOK OUT
4455 Main Street
Shallotte, North Carolina



GREASE INTERCEPTOR SCHEDULE	
MARK	DESCRIPTION
GI-1	SEE DETAIL - 1500 GALLON PRECAST CONCRETE GREASE INTERCEPTOR STAY-RIGHT PRECAST (OR EQUAL).

EQUAL OR LARGER INTERCEPTORS ARE ACCEPTABLE.

GREASE INTERCEPTOR CALCULATIONS				
MARK	QUANTITY	VOLUME	ACTUAL DRAINAGE LOAD (VOLUME X .75)	FLOW RATE (2 MIN.)
CAN WASH	1	3.33 gals.	2.50 gals.	1.25 gpm
FLOOR DRAIN	16	-	-	24.0 gpm
TRENCH DRAIN	3	-	-	4.5 gpm
4-COMP SINK	1	101.82 gals.	76.36 gals.	38.18 gpm
1-COMP SINK	1	34.91 gals.	26.18 gals.	13.09 gpm
TOTAL				81.02 gpm



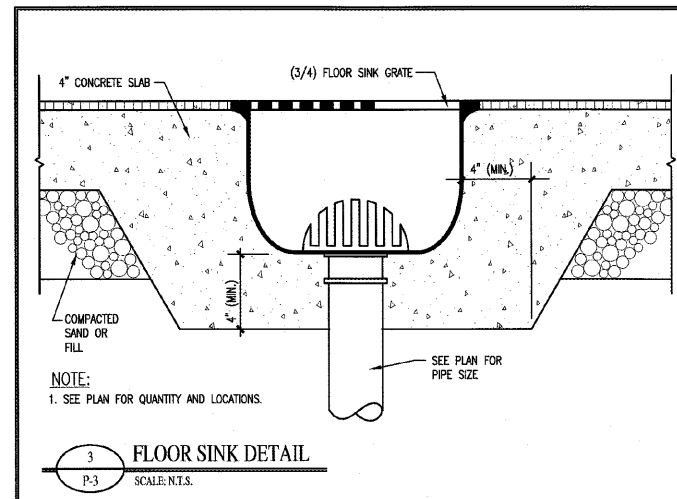
ITEM NO.	KITCHEN EQUIPMENT ITEM NO.	FIXTURE DESCRIPTION	MANUFACTURER	* MODEL NO.	CONNECTION SIZES					REMARKS	
					C.W.	FILTER	H.W.	140' H.W.	WASTE		VENT
WC-1		WATER CLOSET-ADA FLUSH VALVE	KOHLER	K4325-0	1"				4"	2"	WALL MTD., ELONGATED BOWL, ZURN FLUSH VALVE (MODEL #78000PL-HET), ADA COMPLIANT, 1.28 GPF WATER SAVING, BEMIS SEAT #1955C
LV-1		WALL HUNG LAVATORY - ADA	KOHLER	K2005-0	1/2"		1/2"		2"	1-1/2"	WALL MOUNTED, ADA COMPLIANT, W/D DELTA FAUCET (MODEL #501DST), TRUEBRO PIPING COVERS. SEE NOTE 12
UR-1		URINAL - ADA	KOHLER	K-4991ET-0	3/4"				1-1/2"	1-1/2"	WALL MTD., COMMERCIAL WASHOUT, HIGH EFFICIENT, 0.5 GPF ZURN FLUSH VALVE (MODEL #26003EWSBYC)
HS-1		HAND SINK	TITAN	SHS-1012-CUSTOM	1/2"		1/2"		2"	1-1/2"	WALL MOUNTED, ADA COMPLIANT, W/D DELTA FAUCET (MODEL #501DST), SEE NOTE 12
SK-1	6	4-COMPARTMENT SINK	TITAN	S.S. 4 COMPARTMENT SINK	1/2"		1/2"		4"	INDR.	WRISTBLADE, GOOSENECK FAUCET SPECIFIED BY OWNER, TRUEBRO PIPING COVERS
SK-2	26	1-COMPARTMENT SINK	TITAN	S.S. 1 COMPARTMENT SINK	1/2"		1/2"		3"		WRISTBLADE, GOOSENECK FAUCET SPECIFIED BY OWNER, TRUEBRO PIPING COVERS
FS-1		FLOOR SINK	ZURN	ZN1901-VPS					4"	2"	12"x12" SANI-FLOOR RECEPTOR, 10" SLUMP DEPTH WITH VANDAL-PROOF FLAT BOTTOM STRAINER & LOCKDOWN BAR
FD-1		FLOOR DRAIN (SQUARE)	ZURN	ZN4156-P					4"	2"	EQUIPPED WITH 8"x8" SQUARE ADJUSTABLE NICKEL TYPE "S" STRAINER AND TRAP PRIMER
CW-1	1	CAN WASH	SITE CONSTRUCTED	SITE CONSTRUCTED	3/4"				3/4"	4"	ZURN Z843M1-RC SERVICE SINK FAUCET MOUNTED AT 36" A.F.F.
IM-1	15	ICE MACHINE	HOSHIZAKI AMERICA	OWNER SPECIFIED					1/2"		DATEY 39152 1/4 TURN BRASS HAMMER BALL VALVE ICE MAKER OUTLET BOX
DM-1	31	DRINK MACHINE	OWNER SPECIFIED	OWNER SPECIFIED					1/2"		
SM-1	18	MILK SHAKE MACHINE	TAYLOR	OWNER SPECIFIED					1/2"		
TB-1	21	TEA BREWER	OWNER SPECIFIED	OWNER SPECIFIED					1/2"		
WCO		WALL CLEAN OUT	JOSAM COMPANY	58600-PLG							SIZE DETERMINED UPON WASTE PIPE
FCO		FLOOR CLEAN OUT	ZURN	Z1400							SIZE DETERMINED UPON WASTE PIPE
HB-1		CHROME HOSE BIBB	WOODFORD	26P					1/2"		MOUNT 24" A.F.F.
FRH-1		FREEZELESS ROOF HYDRANT	ZURN	Z1388-VB					1/2"		ANTI-FREEZE DRAINED PIPED TO NEAREST INTERIOR DRAIN. UNIT PER MANUFACTURER RECOMMENDATIONS
FPWH-1		FROST PROOF WALL HYDRANT	WOODFORD	22P					1/2"		HOT AND COLD, MOUNT 24" ABOVE GRADE LEVEL
YCO		YARD CLEAN OUT	ZURN	Z-1470							TRAFFIC RATED WITH FLANGE ACCESS. SIZE DETERMINED UPON WASTE PIPE
WF-1		WATER FILTER	SUPPLIED BY OWNER	OWNER SPECIFIED	3/4"	3/4"					
TD-1		TRENCH DRAIN	ZURN	Z883-FS					4"	2"	6" WIDE X 10" LONG, STAINLESS STEEL BAR GRATE (5/8" BARS), BOTTOM OUTLET, CLOSED END CAPS. LENGTH OF TRENCH DRAIN @ ICE MACHINE SHALL EXCEED LENGTH OF ICE MACHINE
HD-1		HUB DRAIN	CHARLOTTE PLASTICS	4"x4"					4"	2"	

* FIXTURE MODEL NUMBERS LISTED ARE FOR DESCRIPTION ONLY.

WASTE AND WATER CALCULATIONS									
FIXTURE TYPE	QUANTITY	WASTE FIXTURE UNITS		HOT WATER FIXTURE UNITS		COLD WATER FIXTURE UNITS		TOTAL WATER FIXTURE UNITS	
		PER UNIT	TOTAL	PER UNIT	TOTAL	PER UNIT	TOTAL	PER UNIT	TOTAL
WATER CLOSET - VALVE	10	1	10	0	0	10	10	10	10
URINAL	1	1	1	0	0	5	5	5	5
LAVATORY	1	1	1	1.5	1.5	1.5	1.5	2	2
HAND SINK	3	2	6	1	3	1	3	1.4	4.2
FLOOR/TRENCH DRAIN	3	20	60	0	0	0	0	0	0
CAN WASH/MOP SINK	1	2	2	2.25	2.25	2.25	2.25	3	3
4-COMP SINK	1	4	4	3	3	3	3	4	4
1-COMP SINK	1	4	4	3	3	3	3	4	4
HOSE BIBB	5	0	0	0.5	2.5	0	0	0.5	2.5
HOSE BIBB	3	0	0	0	0	0.5	1.5	0.5	1.5
DRINK MACHINE	2	0.5	1	0	0	0.25	0.50	0.25	0.50
ICE MACHINE	2	0.5	1	0	0	0.25	0.50	0.25	0.50
SHAKE MACHINE	1	0.5	0.5	0	0	0.25	0.25	0.25	0.25
TEA BREWER	1	0.5	0.5	0	0	0.25	0.25	0.25	0.25
HOOD PIRANHA SYSTEM	1	0	0	0	0	10	10	10	10
HUB DRAIN	3	3	9	0	0	0	0	0	0
TOTAL			97.0		15.25		40.75		47.7

1. WASTE LINE SLOPED AT 1/8" PER 1'-0" IS ADEQUATE FOR 180 FIXTURE UNITS
2. 1-1/2" WATER LINE IS ADEQUATE FOR 55 GPM.

GPM = 49



REV #	DATE	BY	CHECKED	DESCRIPTION
1	3/11/19	TGW	GMB	REVISED WATER MAIN TO BE 1-1/2" AND REVISED FIXTURE MODEL NUMBERS AT THE REQUEST OF OWNER. REFER TO EMAILS DATED 3/7/19 AND 3/11/19 FROM JOHN ARNFIELD OF COOKOUT.

P-3