

HOOD INFORMATION - Job#3263961

HOOD NO.	TAG	MODEL	LENGTH	MAX. COOKING TEMP.	EXHAUST PLENUM							HOOD CONFG.					
					TOTAL EXH. CFM	WIDTH	LENG.	HEIGHT	DIA.	CFM	VEL.	S.P.	MUA CFM	AC CFM	HOOD CONSTRUCTION	END TO END	ROW
1		5424 ND-2-ACPSP-F	15' 0"	500 Deg.	3900	9"	37"	4"	3900	1686	-0.720"	3120	650	430 SS	Where Exposed	ALONE	ALONE

Fire System Information - Job#3103871

FIRE SYSTEM NO.	Tag	TYPE	SIZE	FLOW POINTS	INSTALLATION	
					SYSTEM	LOCATION ON HOOD
1		Ansul Piranha	10	10	Fire Cabinet Right	Right

HOOD INFORMATION

HOOD NO.	TAG	TYPE	QTY.	FILTER(S)	LENGTH	EFFICIENCY @ 7 MICRONS	QTY.	TYPE	WIRE GUARD	LOCATION	SIZE	UTILITY CABINET(S)		ELECTRICAL	SWITCHES	FIRE SYSTEM	HOOD HANGING WEIGHT
												FIRE SYSTEM	SIZE				
1		SS Baffle with Handles	11	16"	16"	30%	9	L55 Series E26	NO	Right	12"x54"x24"	Ansul Piranha	10	SC-311110FP	1 Light 1 Fan	YES	1106 LBS

HOOD OPTIONS

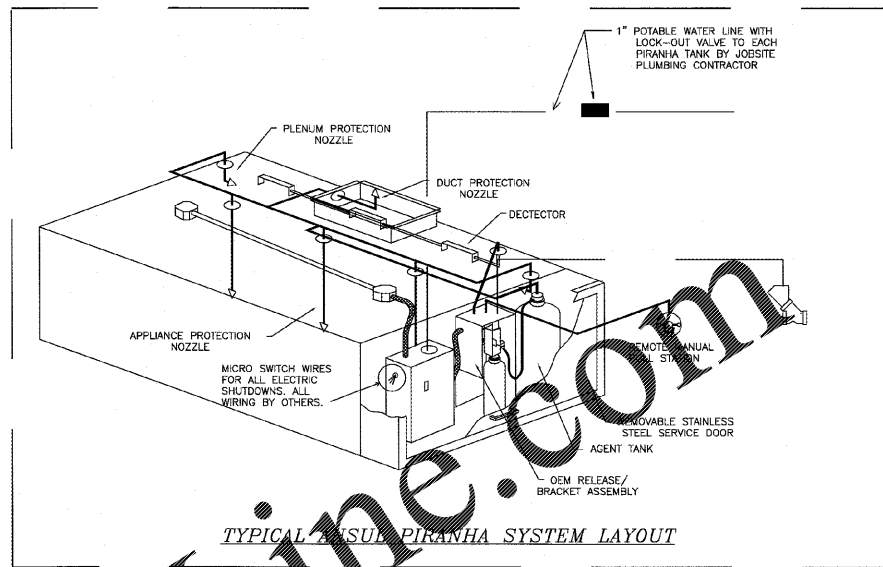
HOOD NO.	TAG	OPTION
1		FIELD WRAPPER 17.00" High Front, Left, Right
		BACKSPLASH 120.00" High X 192.00" Long 430 SS Vertical
		BACKSPLASH 120.00" High X 192.00" Long 430 SS Vertical
		LEFT QUARTER END PANEL 23" Top Width, 0" Bottom Width, 23" High 430 SS
		RIGHT QUARTER END PANEL 23" Top Width, 0" Bottom Width, 23" High 430 SS
		STRUCTURAL FRONT PANEL

PERFORATED SUPPLY PLENUM(S)

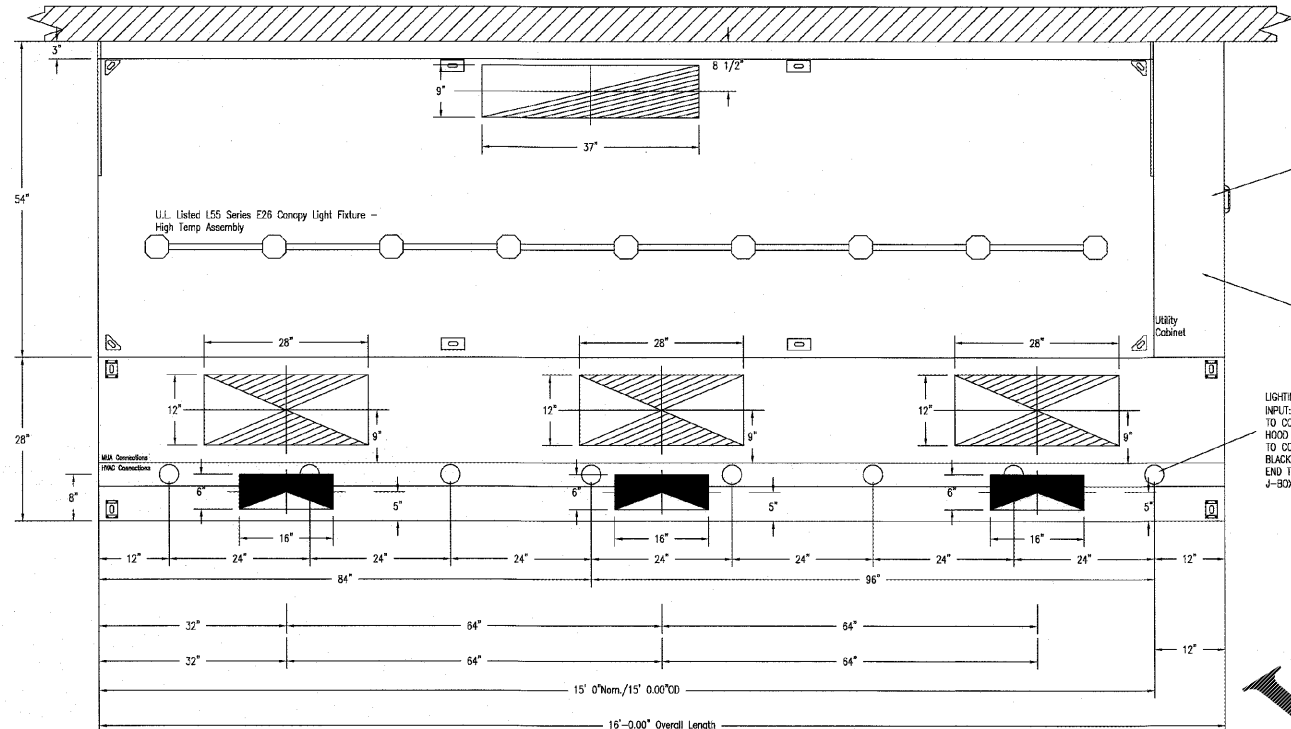
HOOD NO.	TAG	POS.	LENGTH	WIDTH	HEIGHT	TYPE	RESER(S)			
							WIDTH	LENG.	DIA.	CFM
1		Front	192"	28"	6"	MUA	12"	28"	1040	0.339"
					MUA	12"	28"	1040	0.339"	
					AC	6"	16"	220	0.074"	
					AC	6"	16"	220	0.074"	

ANSUL "PIRANHA" SYSTEM NOTES

PLUMBING CONTRACTOR TO CONNECT THE WATER FLOW VALVE AT EACH FIRE SYSTEM TANK TO THE BUILDING'S POTABLE WATER SUPPLY BY A 1" WATER LINE FLOWING WATER PRESSURE BETWEEN 33 AND 100 PSI. THIS WATER LINE MUST BE DEDICATED TO THE PIRANHA SYSTEM AND MUST INCLUDE A SINGLE, FULL FLOW, INDICATING, LOCKED OPEN, TAMPERPROOF SHUT OFF VALVE (PROVIDED BY PLUMBING CONTRACTOR) AND MUST BE CONNECTED TO THE POTABLE WATER SUPPLY LINE IMMEDIATELY DOWNSTREAM FROM THE MAIN SHUT OFF VALVE.



FOR QUESTIONS, CALL THE WESTERN NORTH CAROLINA OFFICE
LONNIE GRANT (REGIONAL MANAGER)
PHONE: 336-996-8484, FAX: 336-996-0418
EMAIL: reg30@captiveair.com



PLAN VIEW - Hood #1
15' 0.00" LONG 5424ND-2-ACPSP-F
NOTE: Additional hanging angles provided for hoods 12' and longer.

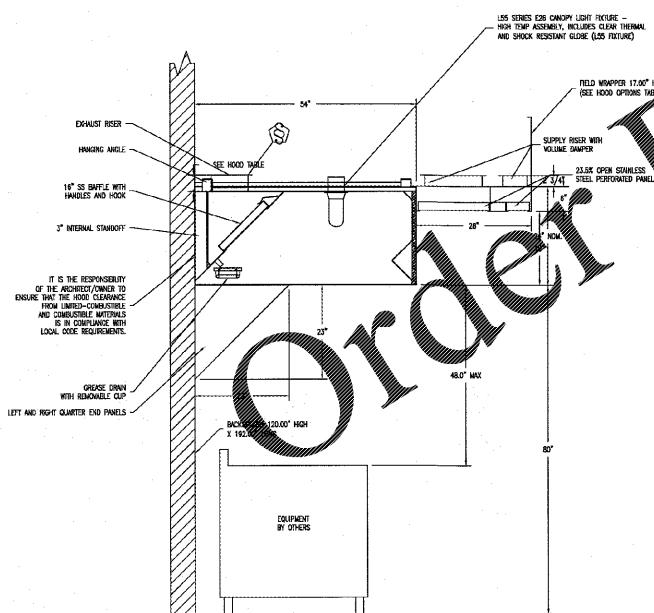
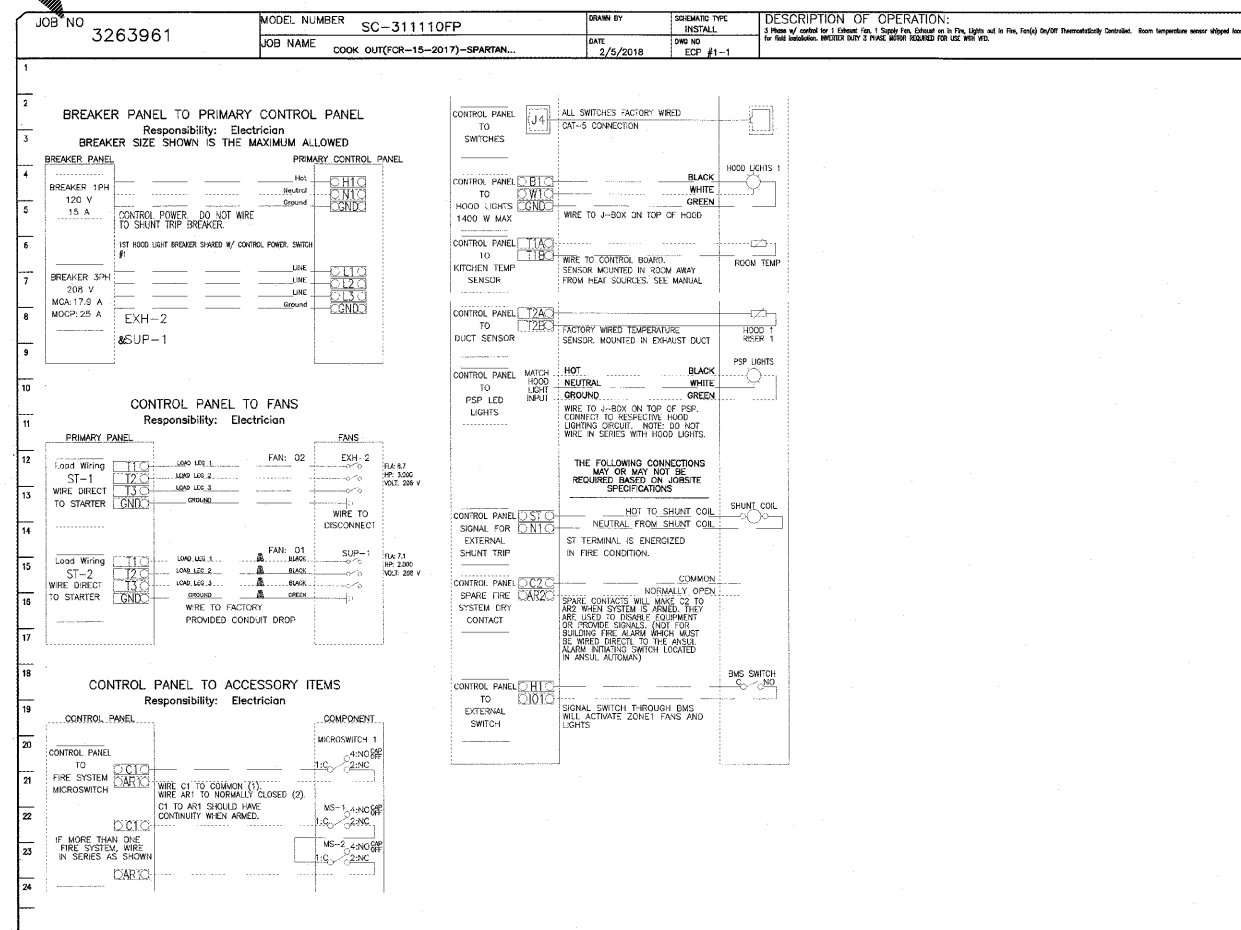
ACPSP ships loose for field installation

ANSUL PIRANHA FIRE SYSTEM
PREWIRE PACKAGE

LIGHTING FOR ACPSP Job # 3263961 - Hood #1
INPUT: 120V AC, 1 Phase, 50/60Hz, 3.5 Watts per light.
TO CONTROL LIGHTS WITH HOOD LIGHT SWITCH, WIRE PER HOOD ELECTRICAL CONTROL PANEL SCHEMATIC.
TO CONTROL LIGHTS WITH BUILDING LIGHT SWITCH, WIRE BLACK AND WHITE WIRE TO A 120VAC SERVICE.
END TO END ACPSPS REQUIRE 120VAC FIELD WIRING FROM J-BOX TO J-BOX. REPLACE LIGHTS WITH LED LIGHTS ONLY.

ELECTRICAL PACKAGES Job#3263961

TAG	PACKAGE	LOCATION	SWITCHES		OPTION	FANS CONTROLLED				
			LOCATION	QUANTITY		TYPE	Φ	H.P.	VOLT	FLA
1	SC-311110FP	Utility Cabinet Right	04 - Utility Cabinet Right	1 Light	Smart Controls Thermostatic Control	Supply	3	2.000	208	5.9
			Hood # 1	1 Fan		Exhaust	3	3.000	208	8.7



SECTION VIEW - MODEL 5424ND-2-ACPSP-F HOOD - #1

CAPTIVE-AIRE HOODS ARE BUILT IN COMPLIANCE WITH

NSF
NFA #96
UL 710 & ULC710 STANDARDS
E.T.L. LISTED 3054804-001

***** NOTE *****

ALL WALLS THAT COME WITHIN 18" OF HOOD MUST BE METAL STUDS AND SHEETROCK. WOOD STUDS NOT ALLOWED.

@

Order Plans

WWW.LDIDLINE.COM

PREWIRE PACKAGE INFORMATION

REVISIONS

DESCRIPTION	DATE

DATE: 2/5/2018
DWG.#: COOKOUT(P-IW-18)
DRAWN BY: LAG
SCALE: NTS
HOOD/ECP

SHEET NO.
1

CAPTIVE AIR
PIEDMONT AREA OFFICE
495 BUCKHURST DR., KERNERSVILLE, NC 27284
PHONE: (336) 996-8464 FAX: (919) 227-5952 EMAIL: reg30@captiveaire.com