

- STRUCTURAL ABBREVIATIONS**
- @ = AT
 - A.B. = ANCHOR BOLTS
 - ABC = AGGREGATE BASE COARSE
 - A.E.F.F.E. = ABOVE FINISHED FLOOR ELEVATION
 - A.F.F.E. = ABOVE FINISHED FLOOR ELEVATION
 - A.R.F.F.E. = ABOVE REFERENCE FINISHED FLOOR ELEVATION
 - ALT. = ALTERNATE
 - ARCH. = ARCHITECTURAL
 - B.F.F.E. = BELOW FINISHED FLOOR ELEVATION
 - B.M.B.M. = BY METAL BUILDING MANUFACTURE
 - B.R.F.F.E. = BELOW REFERENCE FINISHED FLOOR ELEVATION
 - BLDG. = BUILDING
 - BOT. = BOTTOM
 - B.O.W. = BOTTOM OF WALL
 - BRG. = BEARING
 - C.J. = CONSTRUCTION/CONTROL JOINT
 - CL. = CENTER LINE
 - CLR. = CLEAR
 - CMU = CONCRETE MASONRY UNIT
 - COL. = COLUMN
 - CONC. = CONCRETE
 - CONN. = CONNECTION
 - CONSTR. = CONSTRUCTION
 - CONS. = CONJUGIOUS
 - COORD. = COORDINATE
 - DET. = DETAIL
 - DIA. = DIAMETER
 - DIM. = DIMENSION
 - DRAWINGS = DRAWINGS
 - DWL = DWEL
 - E.A. = EACH
 - E.F.F.E. = EXISTING FINISHED FLOOR ELEVATION
 - E.J. = EXPANSION JOINT
 - ELEV. = ELEVATION
 - E.W. = EACH WAY
 - EXP. = EXPANSION
 - EXIST. = EXISTING
 - EXT. = EXTENSION
 - FLR. = FLOOR
 - FD = FLOOR DRAIN
 - FND. = FOUNDATION
 - FP = FULL PENETRATION
 - FTG. = FOOTING
 - HK. = HOOK
 - HORZ. = HORIZONTAL
 - HSS = HOLLOW STRUCTURAL SECTION (TUBE OR PIPE)
 - INT. = INTERIOR
 - JT. = JOINT
 - K = KIP (1000 lbs)
 - LLH = LONG LEG HORIZONTAL
 - LLV = LONG LEG VERTICAL
 - MANUF. = MANUFACTURER
 - MAS. = MASONRY
 - MAX. = MAXIMUM
 - MCH. = MECHANICAL
 - MIN. = MINIMUM
 - NOM. = NOMINAL
 - O.C. = ON CENTER SPACING
 - OPNG. = OPENING
 - PC. = PRECAST
 - PL. = PLATE
 - REINF. = REINFORCEMENT
 - REQD. = REQUIRED
 - SC. = SLIP CRITICAL
 - SCHD. = SCHEDULE
 - SECT. = SECTION
 - T&B = TOP AND BOTTOM
 - T.O.F. = TOP OF FOOTING
 - T.O.P. = TOP OF PIER
 - T.O.S. = TOP OF STEEL
 - T.O.W. = TOP OF WALL
 - TYP. = TYPICAL
 - U.N.C. = UNLESS NOTED OTHERWISE
 - VERT. = VERTICAL
 - W = WIDE FLANGE MEMBER
 - W/ = WITH
 - WWF = WELDED WIRE FABRIC
 - * = COORD. WITH SITE PLAN

LINDSEY ARCHITECTURE
 123 S. Elm Street, Suite 300
 Greensboro, NC 27401
 P. 336.817.4434
 F. 336.817.4434
 www.lindseyarchitecture.com

COOK-OUT
 4455 MAIN ST., SHALLOTTE NC 28470

DATE	DESCRIPTION	REVISION

DETAILS

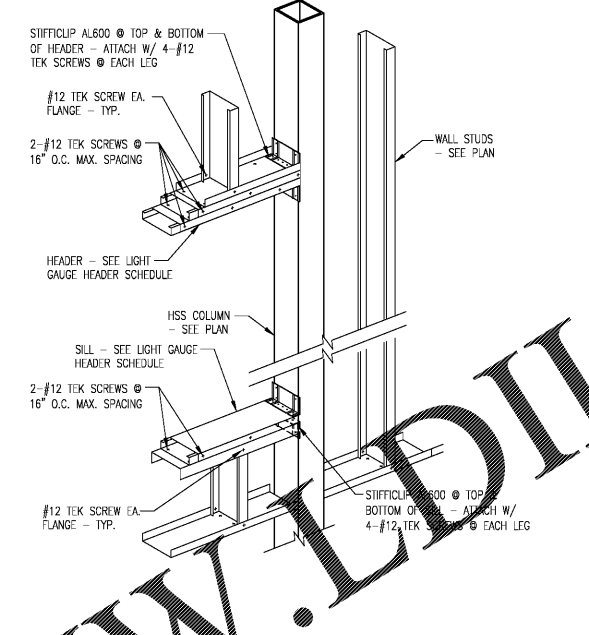
MEPC
 STRUCTURAL ENGINEERING, P.C.
 University Commercial Center
 1900 North Point Blvd., Suite 209
 Winston-Salem, NC 27105
 T. 336-583-8823
 F. 336-583-5912
 email: office@mepe-consultants.com
 www.mepe-consultants.com

MEPC No.: 16-19

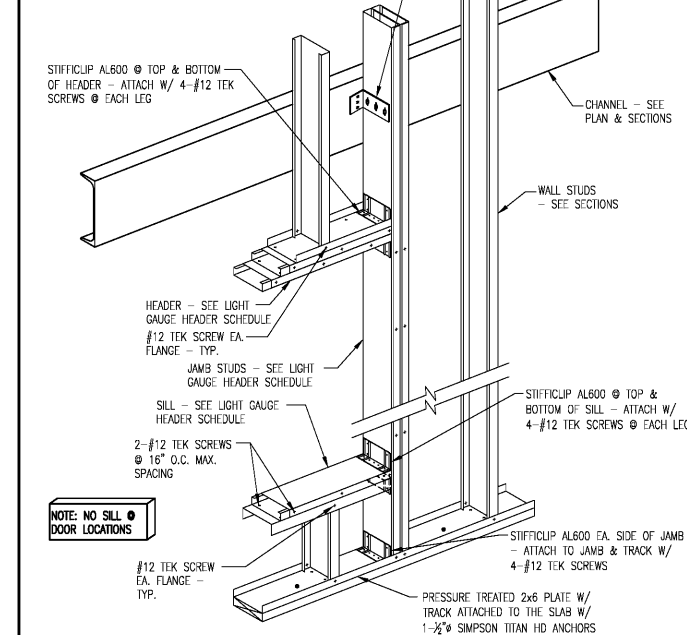
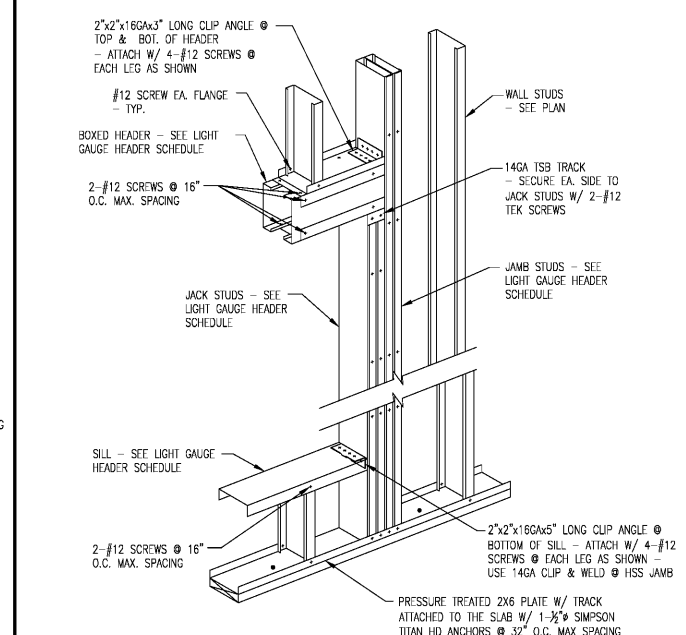
SEAL
 NORTH CAROLINA
 PROFESSIONAL ENGINEER
 SEAL
 044884
 3/11/19
 FIRM REGISTRATION NO.: C-1323

DATE: 03-11-2019
 DRAWN BY: JKP
 CHECK BY: JUM
 JOB NO.: 16-010

S8 of S9



SECTION NO.	1	S8	LIGHT GAUGE HEADER, JAMB STUD & SILL DETAIL	SCALE	NO SCALE
SECTION NO.	2	S8	LIGHT GAUGE HEADER, JACK/JAMB STUD & SILL DETAIL	SCALE	NO SCALE
SECTION NO.	3	S8	LIGHT GAUGE HEADER, JAMB STUD & SILL DETAIL @ COLUMN	SCALE	NO SCALE



SECTION NO.	1	S8	LIGHT GAUGE HEADER, JAMB STUD & SILL DETAIL	SCALE	NO SCALE
SECTION NO.	2	S8	LIGHT GAUGE HEADER, JACK/JAMB STUD & SILL DETAIL	SCALE	NO SCALE
SECTION NO.	3	S8	LIGHT GAUGE HEADER, JAMB STUD & SILL DETAIL @ COLUMN	SCALE	NO SCALE

Order Plans @ WWW.LDILine.com