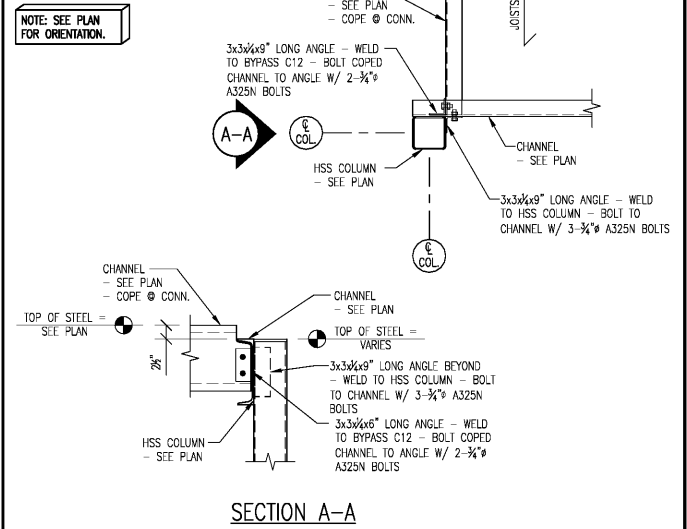
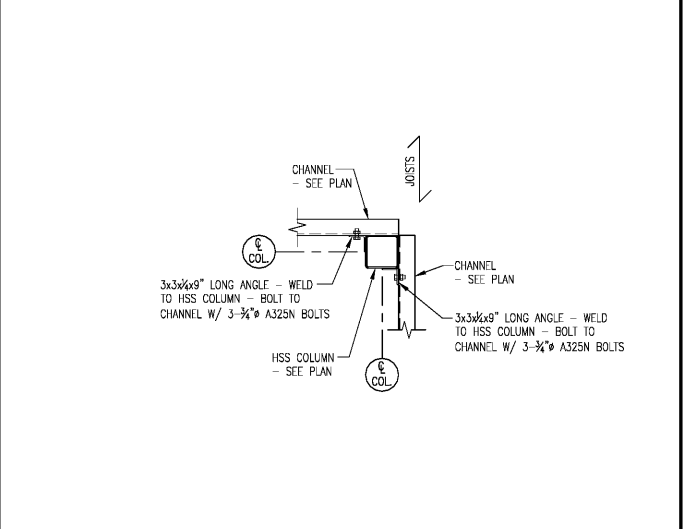


NOTE: SOME ITEMS OMITTED FOR CLARITY.



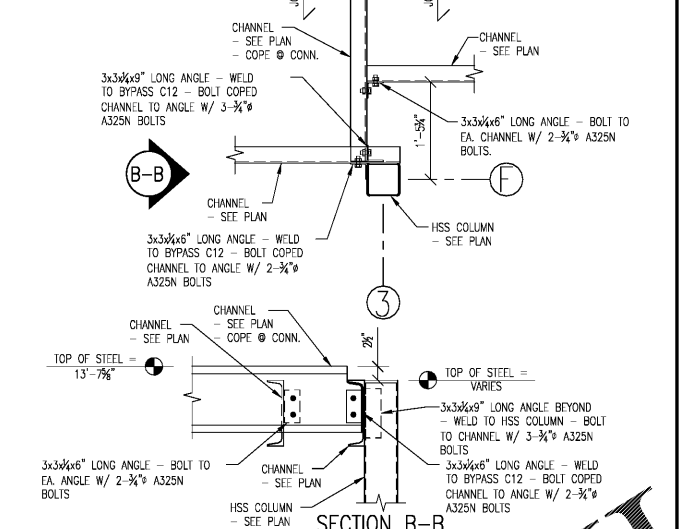
SECTION NO. 1 | S7 | BEAM CONN. @ COL. DETAIL | SCALE 3/4\"/>

NOTE: SOME ITEMS OMITTED FOR CLARITY.



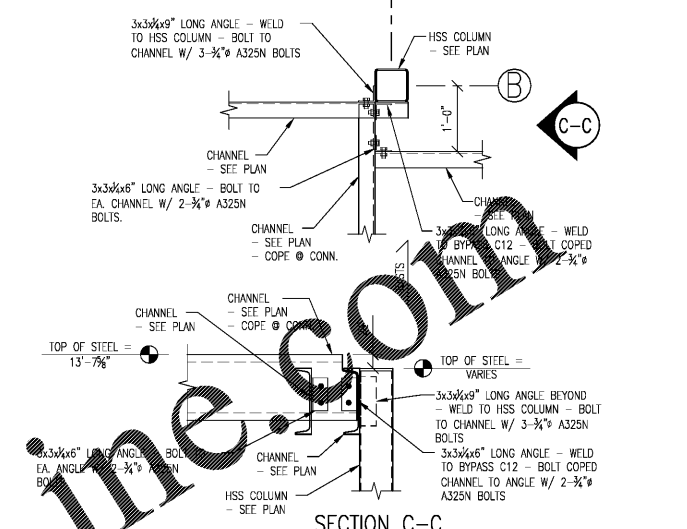
SECTION NO. 2 | S7 | BEAM CONN. @ COL. DETAIL | SCALE 3/4\"/>

NOTE: SOME ITEMS OMITTED FOR CLARITY.



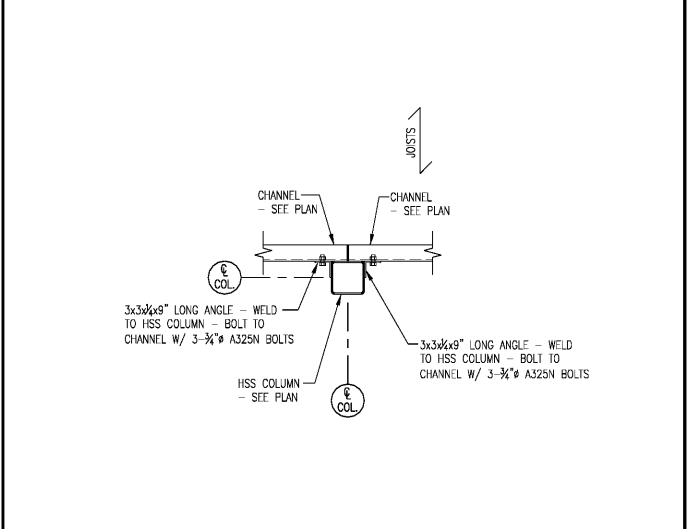
SECTION NO. 3 | S7 | BEAM CONN. DETAIL | SCALE 3/4\"/>

NOTE: SOME ITEMS OMITTED FOR CLARITY.



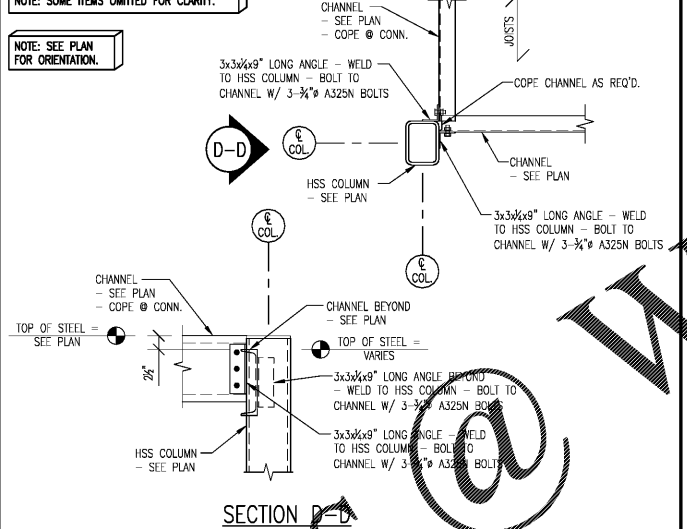
SECTION NO. 4 | S7 | BEAM CONN. DETAIL | SCALE 3/4\"/>

NOTE: SOME ITEMS OMITTED FOR CLARITY.

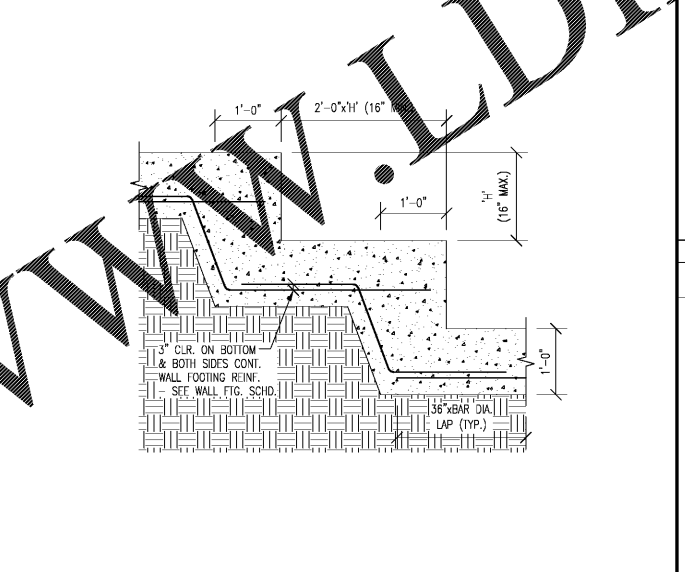


SECTION NO. 5 | S7 | BEAM CONN. @ COL. DETAIL | SCALE 3/4\"/>

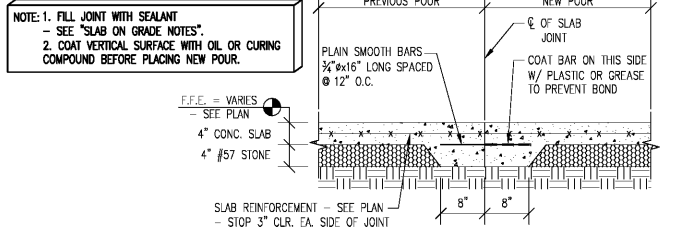
NOTE: SOME ITEMS OMITTED FOR CLARITY.



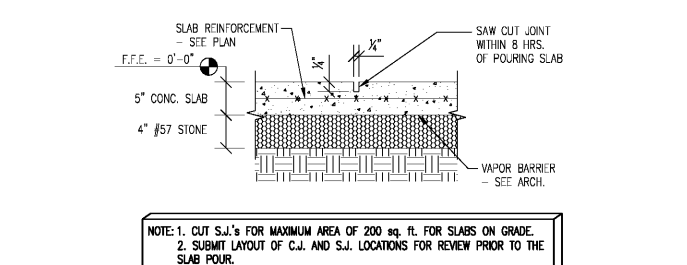
SECTION NO. 6 | S7 | BEAM CONN. @ COL. DETAIL | SCALE NO SCALE



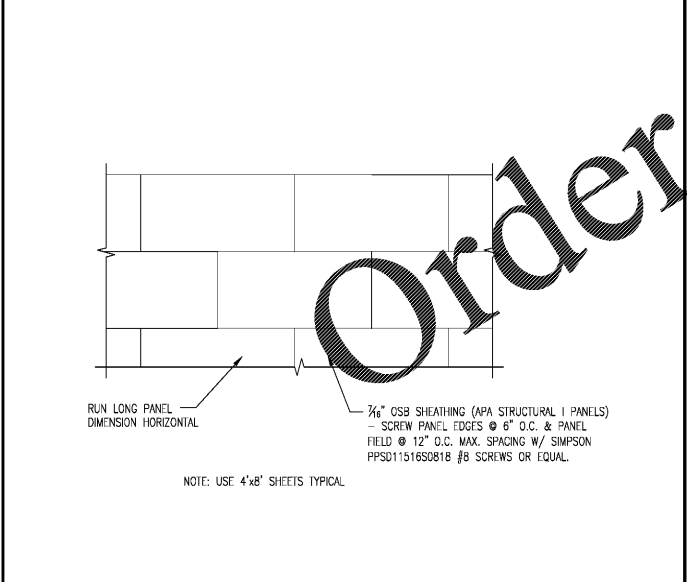
SECTION NO. TYPICAL | TYPICAL STEPPED WALL FOOTING DETAIL | SCALE NO SCALE



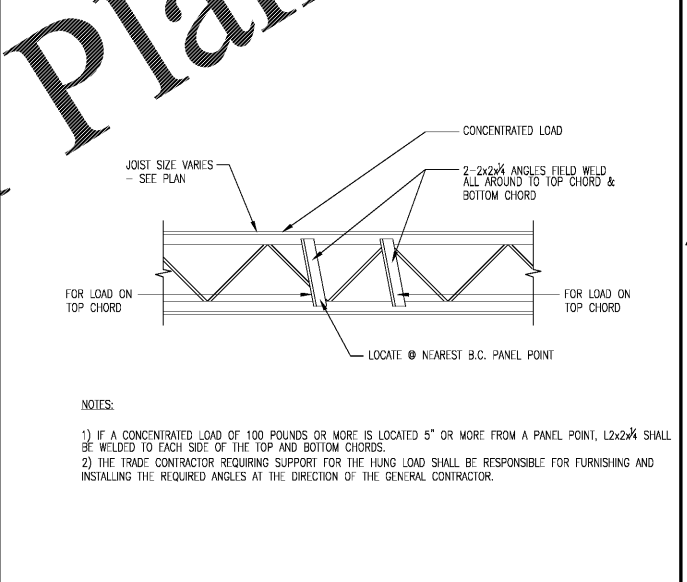
SECTION NO. TYPICAL | SLAB CONST. JOINT (C.J.) | SCALE NO SCALE



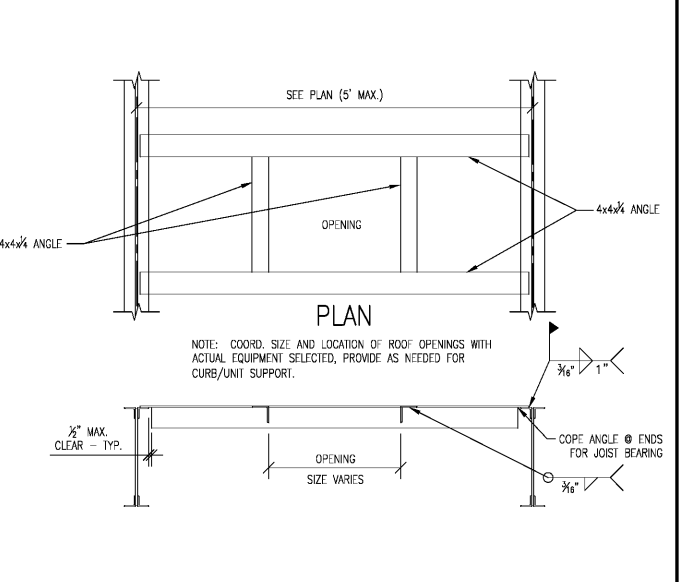
SECTION NO. TYPICAL | SLAB SAWED CUT JOINT (S.J.) | SCALE NO SCALE



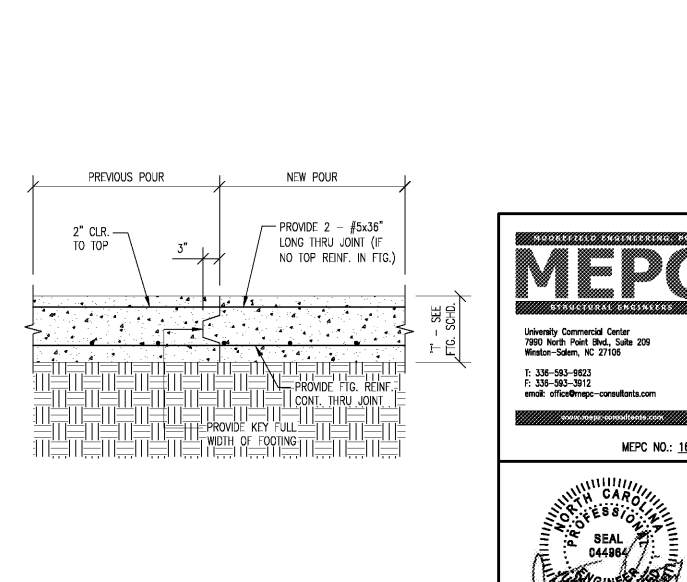
SECTION NO. TYPICAL | WALL PANEL ATTACHMENT DETAIL | SCALE NO SCALE



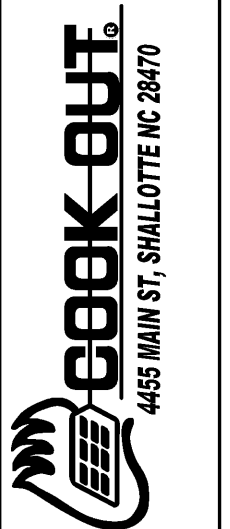
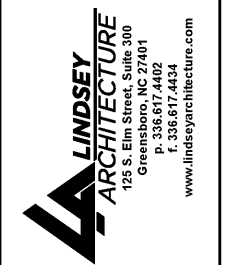
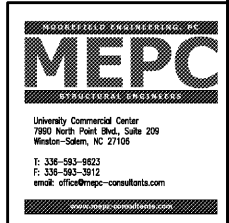
SECTION NO. TYPICAL | BAR JOIST REINFORCEMENT DETAIL | SCALE NO SCALE



SECTION NO. TYPICAL | TYPICAL ROOF OPENING DETAIL | SCALE NO SCALE



SECTION NO. TYPICAL | TYP. WALL FTG. @ CONST. JOINT DETAIL | SCALE NO SCALE



DATE	DESCRIPTION	REVISION

SECTIONS

DATE 03-11-2019
DRAWN BY JKP
CHECK BY JUM
JOB NO. 19-010

S7 of S9