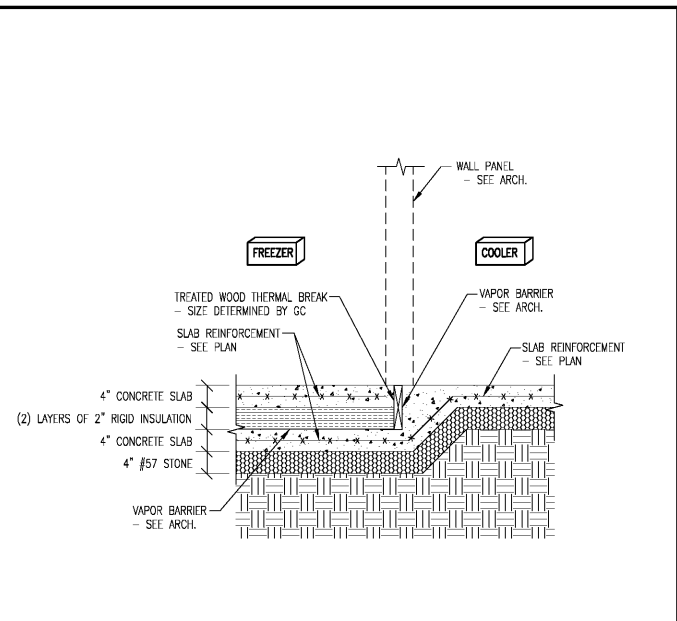
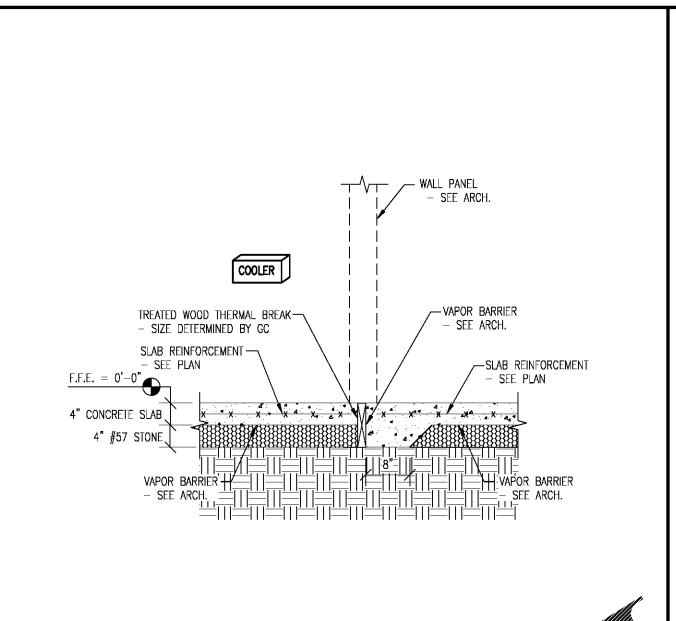


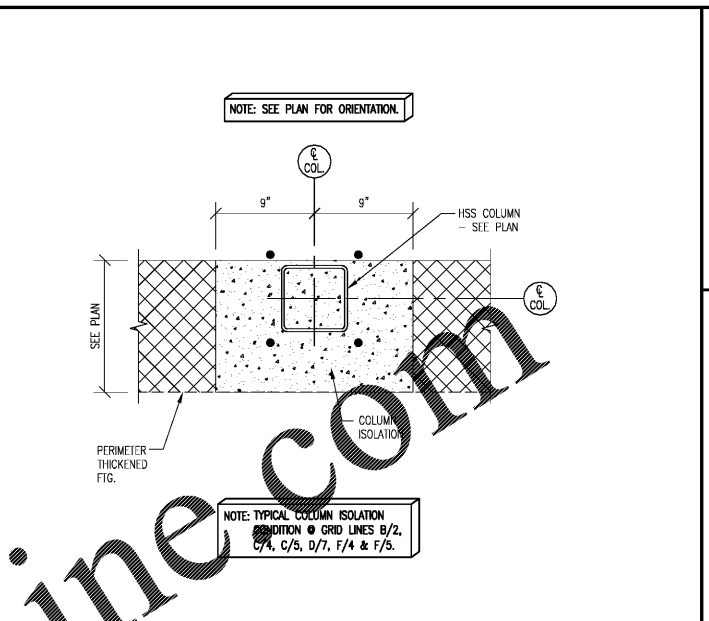
SECTION NO. 1 S5 SECTION SCALE 3/4\"/>



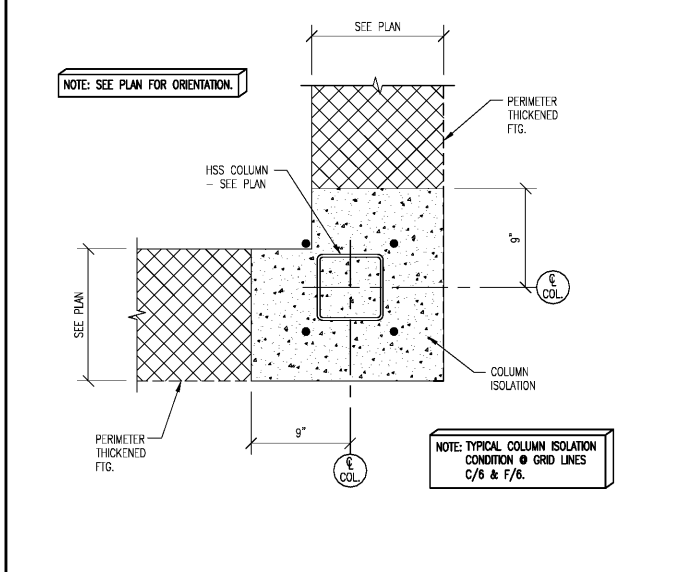
SECTION NO. 2 S5 SECTION SCALE 3/4\"/>



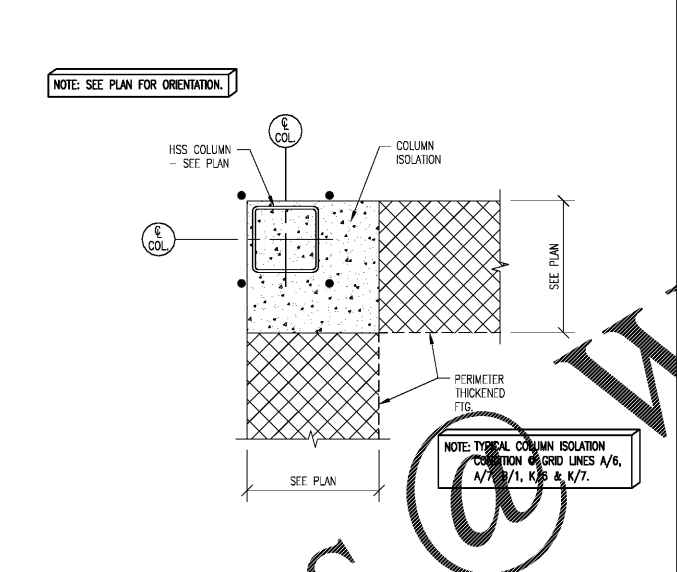
SECTION NO. 3 S5 SECTION SCALE 3/4\"/>



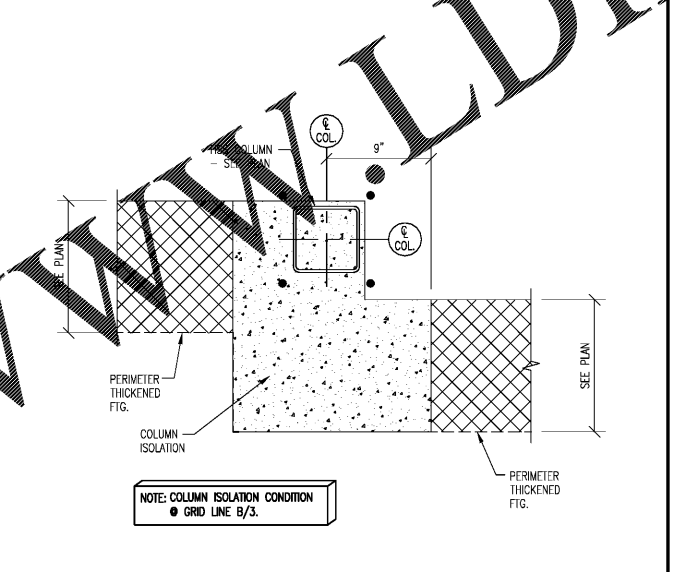
SECTION NO. 4 S5 SECTION SCALE 1 1/2\"/>



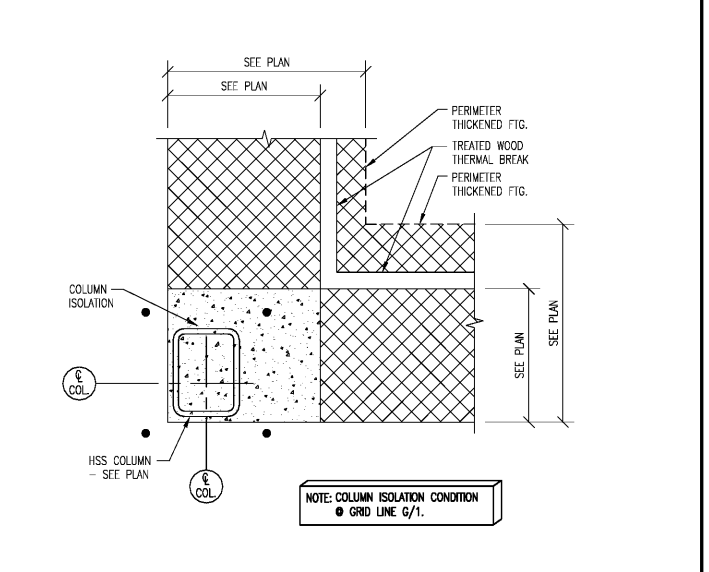
SECTION NO. 5 S5 SECTION SCALE 1 1/2\"/>



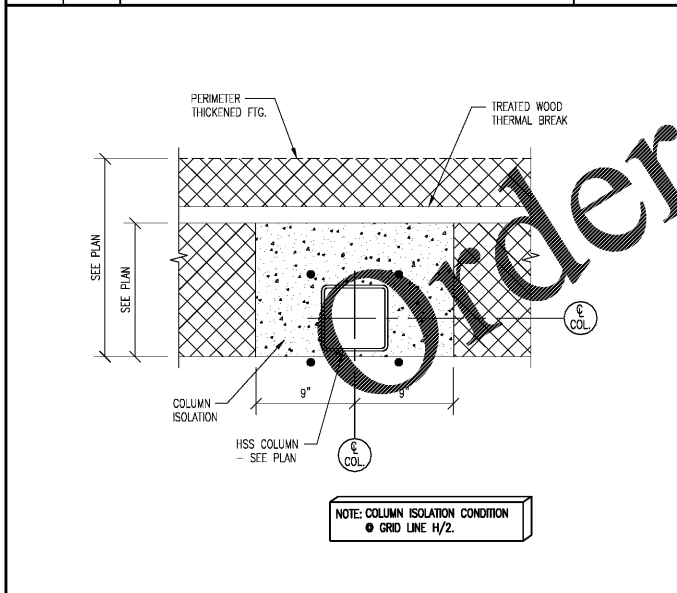
SECTION NO. 6 S5 SECTION SCALE 1 1/2\"/>



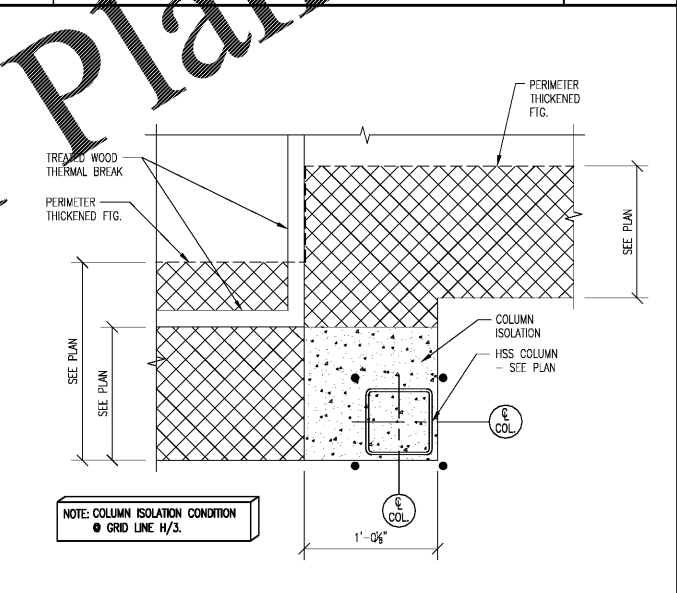
SECTION NO. 7 S5 SECTION SCALE 1 1/2\"/>



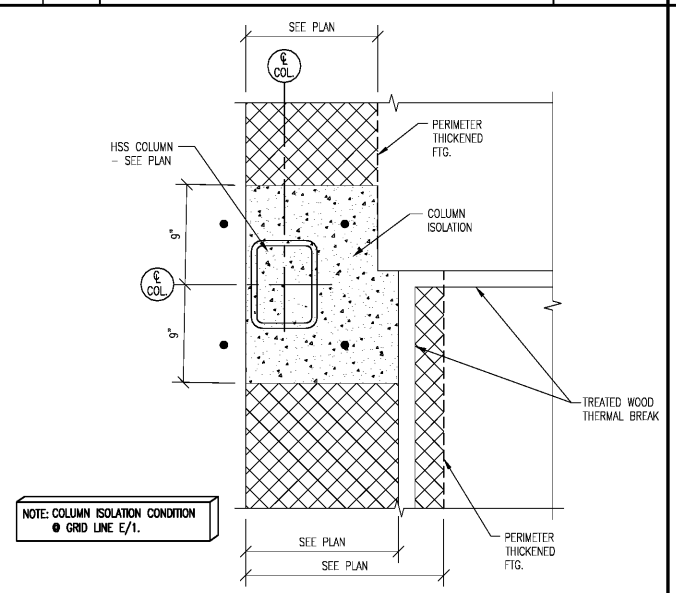
SECTION NO. 8 S5 SECTION SCALE 1 1/2\"/>



SECTION NO. 9 S5 SECTION SCALE 1 1/2\"/>



SECTION NO. 10 S5 SECTION SCALE 1 1/2\"/>



SECTION NO. 11 S5 SECTION SCALE 1 1/2\"/>

DATE	DESCRIPTION	REVISION

**SECTIONS AND DETAILS**

**MEPC**  
 REGISTERED ENGINEERING, P.C.  
 UNIVERSITY COMMERCIAL CENTER  
 1900 NORTH POUL DR., SUITE 209  
 WINSTON-SALEM, NC 27105  
 P. 336-583-8823  
 F. 336-583-5912  
 email: office@mepc-consultants.com  
 www.mepc-consultants.com

MEPC NO. 16-19  
  
 FIRM REGISTRATION NO.: C-1323

DATE: 03-11-2019  
 DRAWN BY: JKP  
 CHECK BY: JUM  
 JOB NO.: 19-010