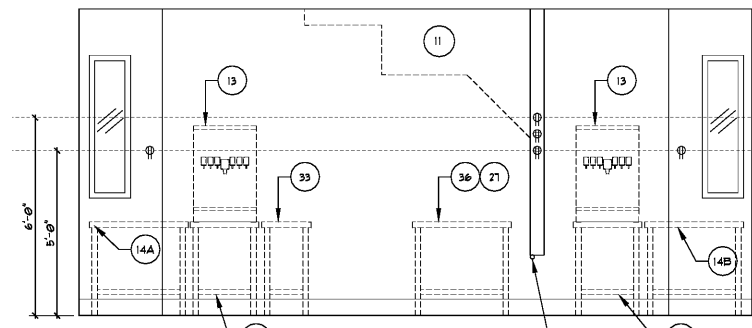
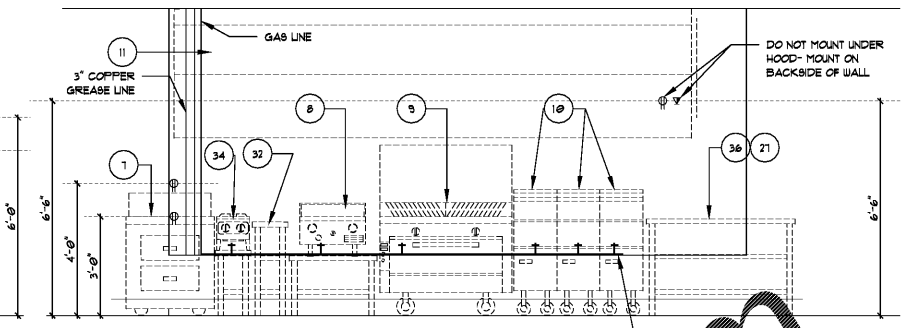


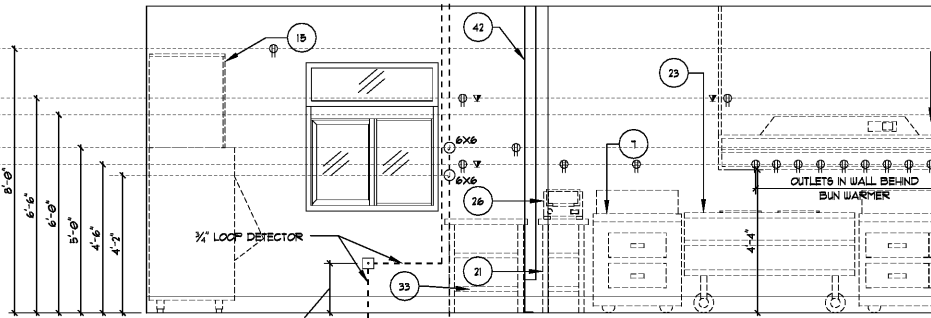
**1 KITCHEN EQUIPMENT ELEVATION**  
 A0.2 SCALE: 3/8"=1'-0"



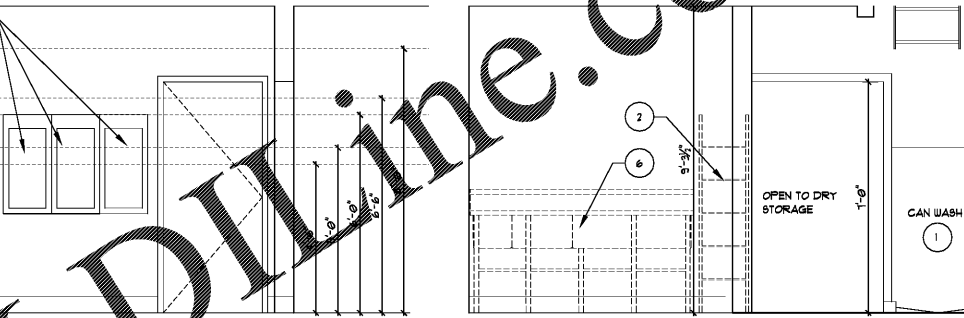
**2 KITCHEN EQUIPMENT ELEVATION**  
 A0.2 SCALE: 3/8"=1'-0"



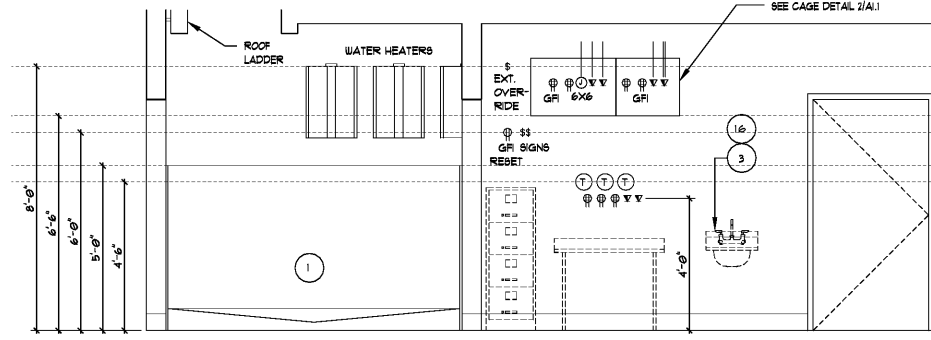
**3 KITCHEN EQUIPMENT ELEVATION**  
 A0.2 SCALE: 3/8"=1'-0"



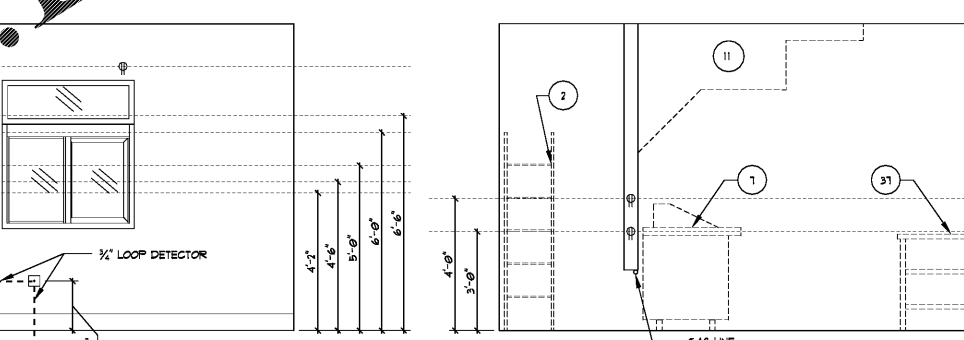
**4 KITCHEN EQUIPMENT ELEVATION**  
 A0.2 SCALE: 3/8"=1'-0"



**5 KITCHEN EQUIPMENT ELEVATION**  
 A0.2 SCALE: 3/8"=1'-0"

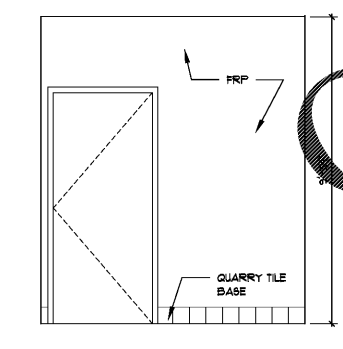


**6 KITCHEN EQUIPMENT ELEVATION**  
 A0.2 SCALE: 3/8"=1'-0"

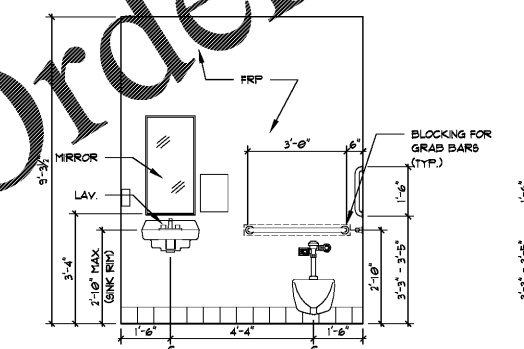


**7 KITCHEN EQUIPMENT ELEVATION**  
 A0.2 SCALE: 3/8"=1'-0"

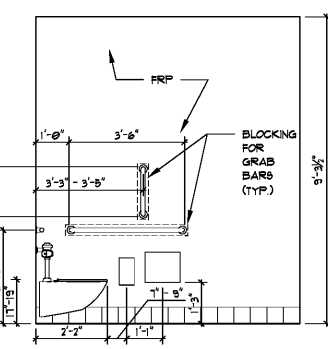
- LEGEND**
- ⊕ DOUPLEX RECEPTACLE
  - ⊕ QUAD RECEPTACLE
  - ⊕ 208V/3Ø
  - ⊕ 208V/1Ø
  - ▽ TELE/DATA OUTLET
  - ⊙ JUNCTION BOX
  - ↑ GAS CONNECTION



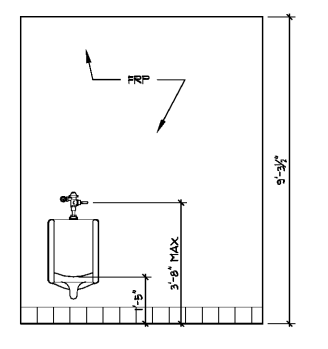
**8 INT. ELEVATION**  
 A0.2 SCALE: 3/8"=1'-0"



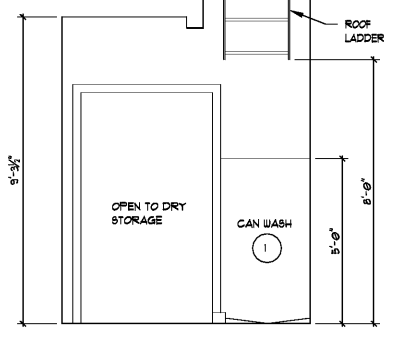
**9 INT. ELEVATION**  
 A0.2 SCALE: 3/8"=1'-0"



**10 INT. ELEVATION**  
 A0.2 SCALE: 3/8"=1'-0"



**11 INT. ELEVATION**  
 A0.2 SCALE: 3/8"=1'-0"



**12 INT. ELEVATION**  
 A0.2 SCALE: 3/8"=1'-0"

OWNER'S EQUIPMENT LEGEND (N.I.C.)			
NO.	DESCRIPTION	MANUFACTURER	MODEL NUMBER
1	CAN WASH AREA		
2	DRY STORAGE SHELVING RACKS	TITAN STAINLESS	
3	WALL MOUNTED HAND BINS		
4	STORAGE SHELVING RACKS (GALK-IND)		
5	GALK-N FREEZER	THEYFORTE	
6	40 COMPARTMENT BIN	TITAN STAINLESS	CUSTOM-BUILT
7	40 DRAWER SANDWICH SALAD PREP. UNIT (ON CASTERS)	DEWBILD	SH450-01
8	CHAR. GRILL W/ STAND (ON CASTERS)	BOOTH-BEND & TITAN STAINLESS	105-48 & CUSTOM-BUILT
9	GRIDDLE W/ STAND (ON CASTERS)	BOOTH-BEND & TITAN STAINLESS	105-48 & CUSTOM-BUILT
10	40 48-50 LB. WHYS (ON CASTERS)	PTCO PRELATOR	8569
11	HOOD W/ EXHAUST AND ANAL. SYSTEM	CAPTRV-AIR	5440-2-AC/HP-F
12	GALK-N COOLER	THEYFORTE	
13	2 CARBONATED BEVERAGE MACHINE W/ ICE BIN	SUPPLIED BY COKE DISTRIBUTION	
14A	STAINLESS STEEL WORK TABLE (REGISTER TABLE)	TITAN STAINLESS	CUSTOM-BUILT: RT HAND LAYOUTS
14B	STAINLESS STEEL WORK TABLE (REGISTER TABLE)	TITAN STAINLESS	CUSTOM-BUILT: LT HAND LAYOUTS
15	ICE MAKER W/ BIN	PLANTORIC	RC2-800P
16	STAINLESS STEEL SPLASH GUARDS	TITAN STAINLESS	CUSTOM-BUILT
17	MUSH-RAGE MACHINE (ON CASTERS)	TAYLOR	444 BRAKE PRESSER
18	4'-0"X2'-0" STAINLESS STEEL BRAKE WORK TABLE	TITAN STAINLESS	CUSTOM-BUILT
19	1'-0"X2'-0" STAINLESS STEEL GALK UP TABLE	TITAN STAINLESS	CUSTOM-BUILT
20	TEA DISPENSERS		
21	1'-0"X2'-0" STAINLESS STEEL WORK TABLE FOR QUEBODILLA GRILL	TITAN STAINLESS	CUSTOM-BUILT
22	BUN WARMER	HENY FENY	BU-9
23	STEAM TABLE (ON CASTERS) W/ DROP IN WELLS	AMV EVOTT & TITAN STAINLESS	Q1 #P-25 & CUSTOM-BUILT
24	40 DRAWER SANDWICH SALAD PREP. UNIT (ON CASTERS)	DEWBILD	4450-01
25	VEGETABLE PREP. BIN	TITAN STAINLESS	CUSTOM-BUILT
26	PRO-MAX PROOF TWO-SIDED GRILL	STAR	GR65
27	40 DRAWER UNDER-COUNTER REFRIGERATOR (ON CASTERS)	TRIE	TUC-480-4
28	1'-0"X1'-0" STAINLESS STEEL TEA TABLE	TITAN STAINLESS	CUSTOM-BUILT
29	8'-0"X2'-0" STAINLESS STEEL PICK-UP WORK TABLE	TITAN STAINLESS	CUSTOM-BUILT
30	2 DRINK DISPENSERS	TAYLOR (RAZLE BLENDER)	801P
31	DINING ROOM POP BIN		
32	1'-0"X2'-0" STAINLESS STEEL CHARCULL WORK TABLE	TITAN STAINLESS	CUSTOM-BUILT
33	2'-0"X2'-0" STAINLESS STEEL PICKUP WORK TABLE	TITAN STAINLESS	CUSTOM-BUILT
34	TWO BURNER GAS HOT PLATE	VOLARATH	4P136
35	1'-0"X4'-4" STAINLESS STEEL WALK-UP REGISTER WORK TABLE	TITAN STAINLESS	CUSTOM-BUILT
36	3'-0"X3'-0" STAINLESS STEEL TRY WORK TABLE	TITAN STAINLESS	CUSTOM-BUILT
37	1'-0"X3'-0" STAINLESS STEEL WORK TABLE	TITAN STAINLESS	CUSTOM-BUILT
38	2'-0"X1'-0" STAINLESS STEEL BEVERAGE WORK TABLE	TITAN STAINLESS	CUSTOM-BUILT
39	STAINLESS STEEL REGISTER TABLE	TITAN STAINLESS	CUSTOM-BUILT
40	4' SQUARE STAINLESS STEEL URINAL	SUPPLIED BY GC	

NOTES:  
 1. ALL FOOD SERVICE EQUIPMENT MUST MEET ANSI SANITATION STANDARDS  
 2. VERIFY EQUIPMENT WITH OWNER'S REFRIGERATION EQUIPMENT DRAWINGS