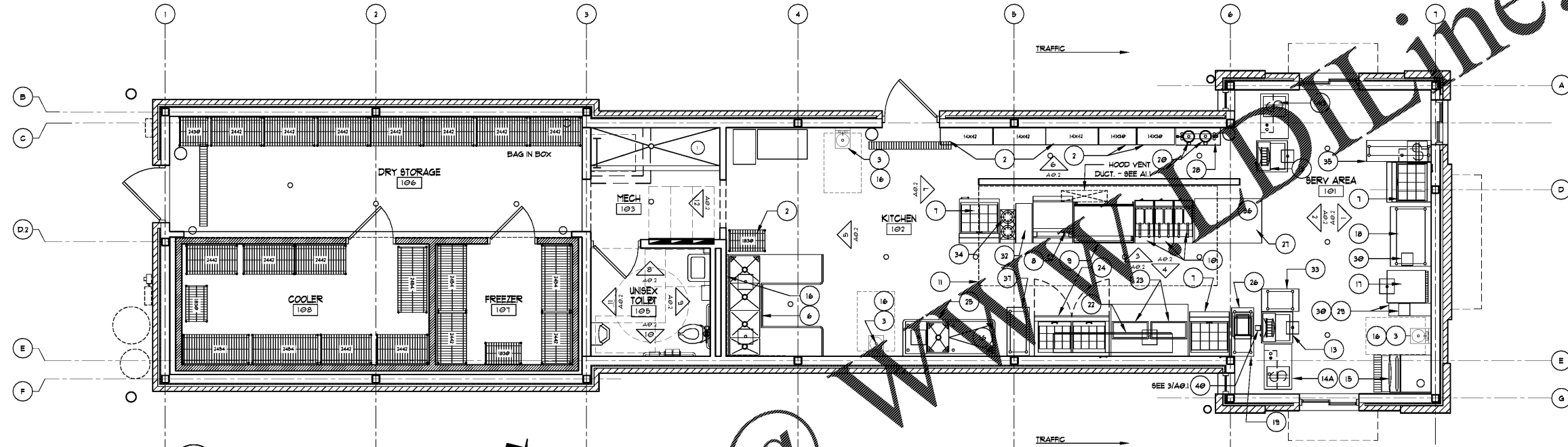


OWNER'S EQUIPMENT LEGEND (N.I.C.)			
NO.	DESCRIPTION	MANUFACTURER	MODEL NUMBER
1	CAN WASH AREA		
2	DRY STORAGE SHELVING RACKS		
3	WALL MOUNTED HAND SINKS	TITAN STAINLESS	
4	STORAGE SHELVING RACKS (WALK-IN)		
5	WALK-IN FREEZER	THERMORITE	
6	(4) COMPARTMENT SINK	TITAN STAINLESS	CUSTOM-BUILT
7	(2) DRAWER SANDWICH SALAD PREP. UNIT (ON CASTERS)	DELFIELD	D443N-121
8	CHAR. GRILL W/ STAND (ON CASTERS)	SOUTHBEND & TITAN STAINLESS	HDS-48 & CUSTOM-BUILT
9	GRIDDLE W/ STAND (ON CASTERS)	SOUTHBEND & TITAN STAINLESS	P33N-CG & CUSTOM-BUILT
10	(3) 40-50 LB. FRYERS (ON CASTERS)	FITCO FRIALATOR	5618
11	HOOD W/ EXHAUST AND ANSUL. SYSTEM	CAPTIVE-AIRE	5142ND-2-ACP&P-F
12	WALK-IN COOLER	THERMORITE	
13	(2) CARBONATED BEVERAGE MACHINE W/ ICE BIN	SUPPLIED BY COKE DISTRIBUTOR	
14A	STAINLESS STEEL WORK TABLE (REGISTER TABLE)	TITAN STAINLESS	CUSTOM-BUILT- RT HAND LAYOUTS
14B	STAINLESS STEEL WORK TABLE (REGISTER TABLE)	TITAN STAINLESS	CUSTOM-BUILT- LT HAND LAYOUTS
15	ICE MAKER W/ BIN	MANTOUCC	RCUF-000
16	STAINLESS STEEL SPLASH GUARDS	TITAN STAINLESS	CUSTOM-BUILT
17	MILKSHAKE MACHINE (ON CASTERS)	TAYLOR	444 SHAKE FREEZER
18	4'-0"X3'-9" STAINLESS STEEL SHAKE WORK TABLE	TITAN STAINLESS	CUSTOM-BUILT
19	1'-0"X2'-1" STAINLESS STEEL WALK UP TABLE	TITAN STAINLESS	CUSTOM-BUILT
20	TEA DISPENSERS		
21	1'-6"X3'-5" STAINLESS STEEL WORK TABLE FOR QUESADILLA GRILL	TITAN STAINLESS	CUSTOM-BUILT

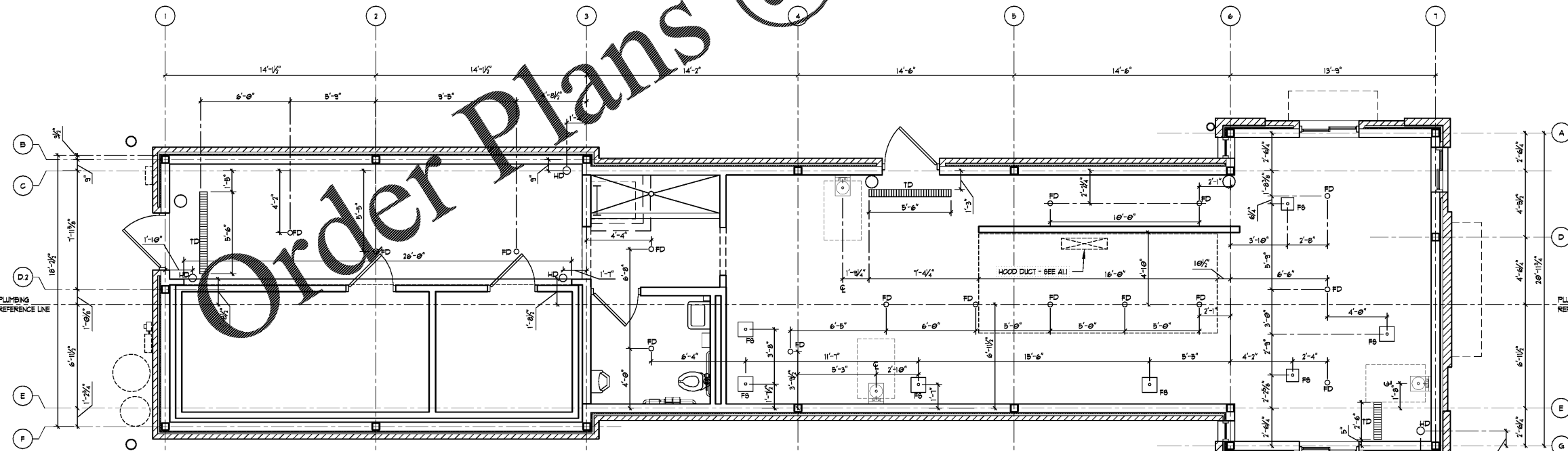
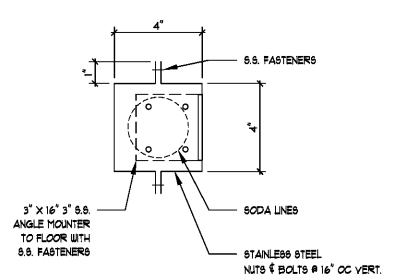
OWNER'S EQUIPMENT LEGEND (N.I.C.)			
NO.	DESCRIPTION	MANUFACTURER	MODEL NUMBER
22	BUN WARMER	HENRY PENNY	BU-8
23	STEAM TABLE (ON CASTERS) W/ DROP IN WELLS	APIU BYOTT & TITAN STAINLESS	(2) 14FV-23 & CUSTOM-BUILT
24	(2) DRAWER SANDWICH SALAD PREP. UNIT (ON CASTERS)	DELFIELD	4460N-121
25	VEGETABLE PREP. SINK	TITAN STAINLESS	CUSTOM-BUILT
26	PRO-MAX SMOOTH TWO-SIDED GRILL	STAR	GR08
27	(4) DRAWER UNDER-COUNTER REFRIGERATOR (ON CASTERS)	TRUE	TUC-46D-4
28	1'-7"X3'-1" STAINLESS STEEL TEA TABLE	TITAN STAINLESS	CUSTOM-BUILT
29	18"-11/4"X1'-0" STAINLESS STEEL PICK-UP WORK TABLE	TITAN STAINLESS	CUSTOM-BUILT
30	(2) DRINK MIXERS	TAYLOR (RAZZLE BLENDER)	BC10
31	DINING ROOM MOP SINK		
32	1'-1"X2'-8" STAINLESS STEEL CHARGRILL WORK TABLE	TITAN STAINLESS	CUSTOM-BUILT
33	2'-1"X2'-6" STAINLESS STEEL PICKUP WORK TABLE	TITAN STAINLESS	CUSTOM-BUILT
34	TWO BURNER GAS HOT PLATE	VOLLRATH	40736
35	1'-5"X4'-4" STAINLESS STEEL WALK-UP REGISTER WORK TABLE	TITAN STAINLESS	CUSTOM-BUILT
36	3'-0"X4'-6" STAINLESS STEEL FRY WORK TABLE	TITAN STAINLESS	CUSTOM-BUILT
37	1'-6"X3'-3" STAINLESS STEEL WORK TABLE	TITAN STAINLESS	CUSTOM-BUILT
38	2'-0"X7'-6" STAINLESS STEEL BEVERAGE WORK TABLE	TITAN STAINLESS	CUSTOM-BUILT
39	STAINLESS STEEL REGISTER TABLE	TITAN STAINLESS	CUSTOM-BUILT
40	4" SQUARE STAINLESS STEEL WRAP. SEE 3/A0.1	TITAN STAINLESS	CUSTOM-BUILT

NOTES:
 1. ALL FOOD SERVICE EQUIPMENT MUST MEET ANSI SANITATION STANDARDS.
 2. VERIFY EQUIPMENT WITH OWNER'S REFRIGERATION EQUIPMENT DRAWINGS.



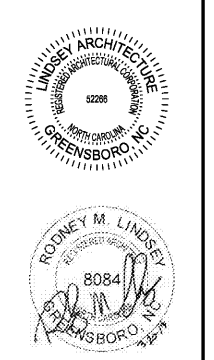
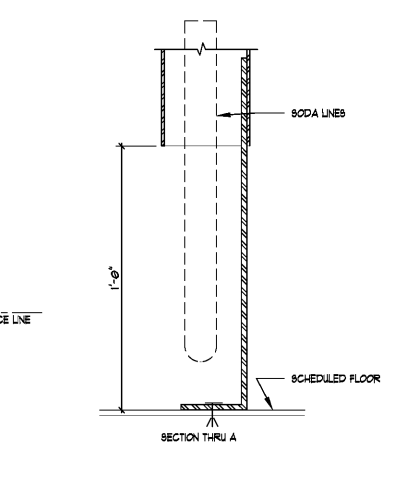
1 KITCHEN EQUIPMENT PLAN
 SCALE: 1/4"=1'-0"
 NORTH

3 SODA LINE PROTECTOR DTL
 SCALE: 3"=1'-0"



2 FLOOR DRAIN LAYOUT PLAN
 SCALE: 1/4"=1'-0"
 NORTH

4 SODA LINE WRAP DTL
 SCALE: 3"=1'-0"



NO.	DATE	DESCRIPTION	REVISIONS

COORDINATION PLAN & FLOOR DRAIN PLAN

DATE: 03-20-2019
 DRAWN BY: EDO/AM
 CHECK BY: RML
 JOB NO.: 19-010
 SHEET:

A0.1