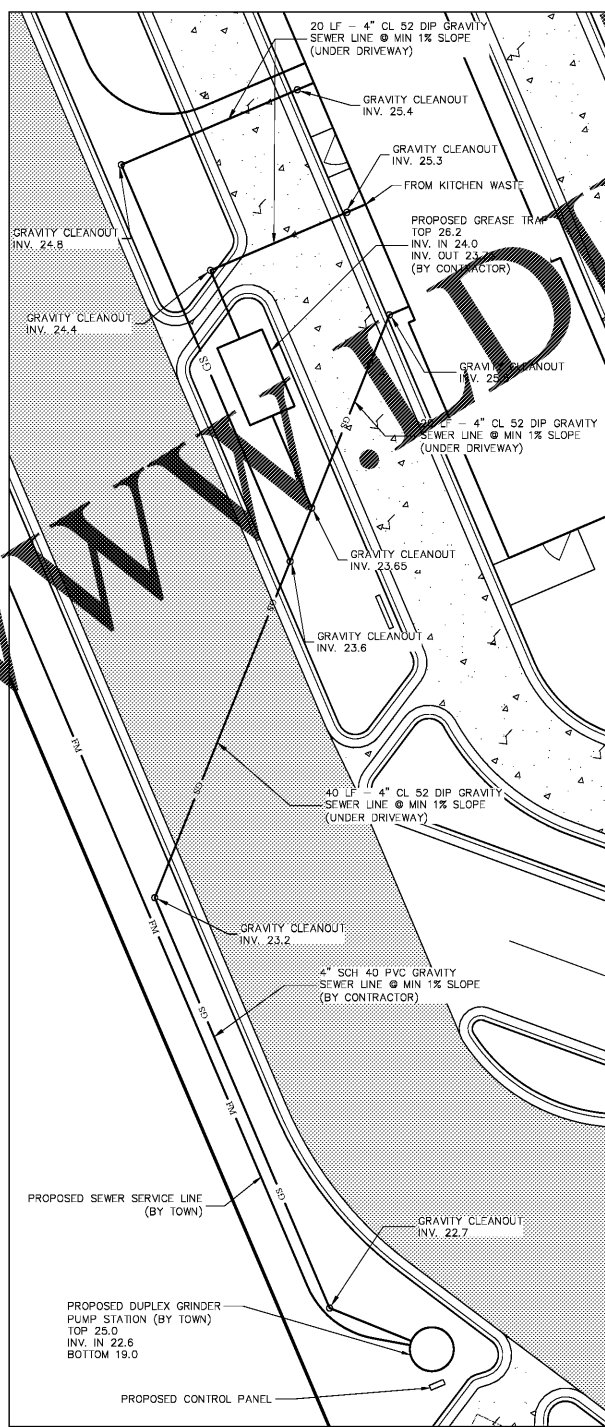


UTILITY QUANTITIES

125 LF 1 1/2\"/>

Order Plans @

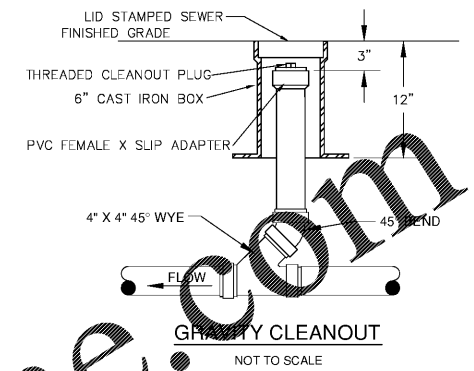
UTILITY PLAN
0 20' 40'
SCALE: 1" = 20'



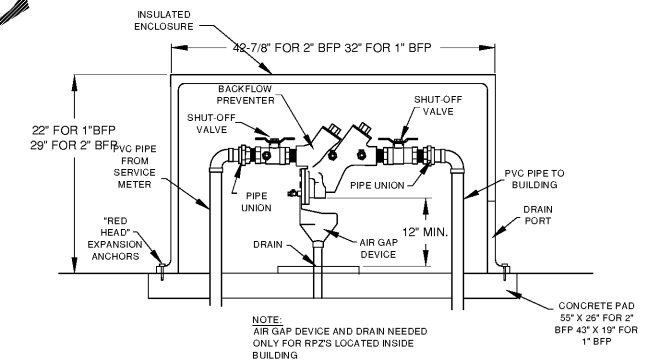
INSET
0 10' 20'
SCALE: 1" = 10'

UTILITY NOTES:

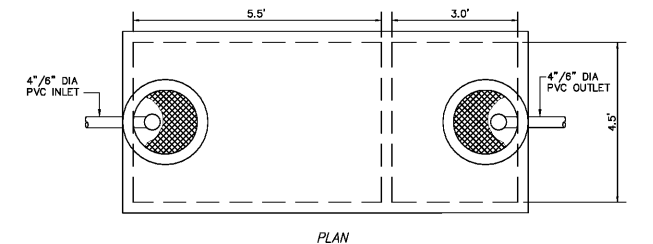
1. Existing Sewer Lines and Water Lines shown are approximate and are based on the best available information.
2. The Contractor shall verify the location of the existing waterline prior to construction.
3. The Town shall verify the location of the existing pressure sewer line prior to construction.
4. Adequate vertical separation between all water lines and storm drainage (24\"/>



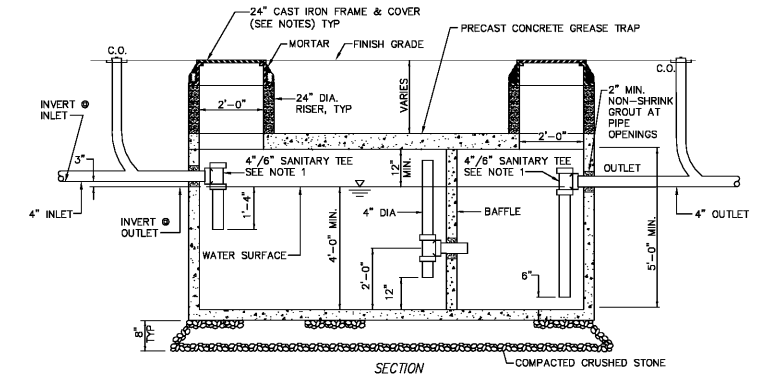
GRAVITY CLEANOUT
NOT TO SCALE



RPZ BACKFLOW PREVENTER
NOT TO SCALE



PLAN



SECTION

- NOTES:**
1. SANITARY INLET AND OUTLET TEE SHALL BE 4\"/>

1000 GAL. GREASE TRAP
NOT TO SCALE

Revisions

East Coast Engineering & Surveying, P.C.
ENGINEERS • PLANNERS • SURVEYORS
4918 Main Street
Post Office Box 2469
Shallotte, North Carolina 28469
Phone: 910.754.8029
Fax: 910.754.8049
Firm License Number: C-3014

UTILITY PLAN FOR COOK OUT
SHALLOTTE, NORTH CAROLINA

Date: 03-29-2019
Scale: AS SHOWN
Drawn By: MGB
Checked By: JCR/ACL

PRELIMINARY FOR APPROVAL

THIS PLAN IS NOT ISSUED FOR CONSTRUCTION WITHOUT AFFIXED CORPORATE SEAL.



C6.0