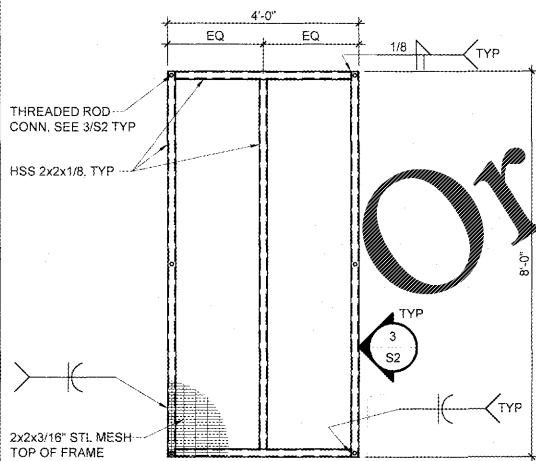
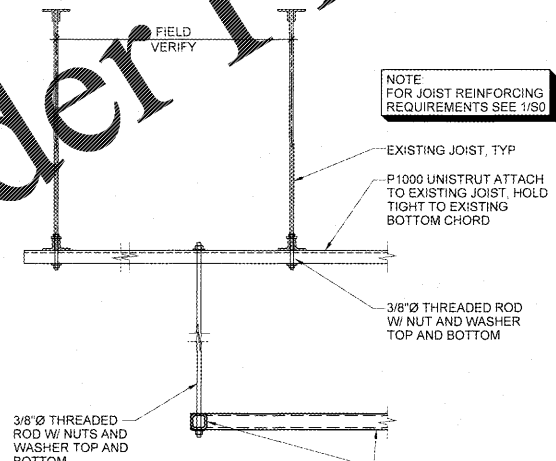


1 ROOF FRAMING PLAN

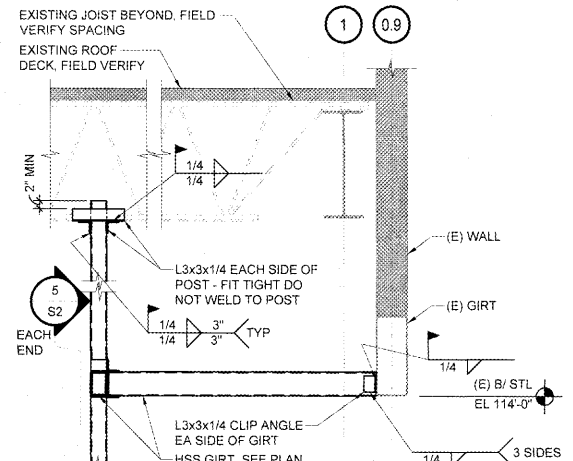
- PLAN NOTES:
- SEE STRUCTURAL NOTES ON SHEET S0
 - GC TO FIELD VERIFY ALL EXISTING CONDITIONS IMPACTED BY THIS WORK PRIOR TO SHOP DRAWINGS. FABRICATION AND CONSTRUCTION NOTIFY ENGINEER IMMEDIATELY IF DISCREPANCIES OCCUR
 - FOR TYPICAL JOIST WEB REINFORCING SEE 1/S0.
 - FOR TYPICAL HANGING LOAD SUPPORT, SEE 2/S0.



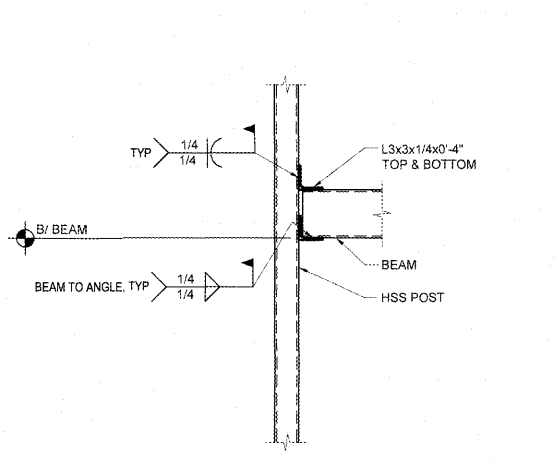
2 HANGING FRAME PLAN



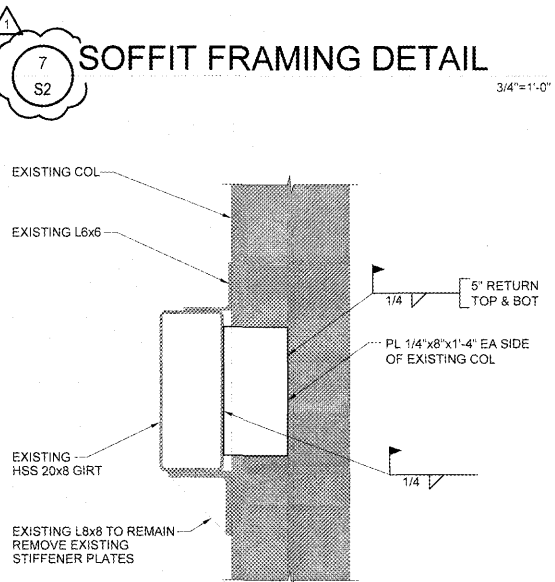
3 SECTION



4 BEAM CONNECTION DETAIL



5 BEAM CONNECTION DETAIL

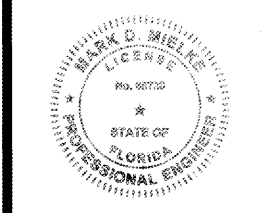


7 SOFFIT FRAMING DETAIL

Order Plans @ www.LDOnline.com



SEAL:



LUCKY*BRAND
DANIA
POINTE

1763 POINTE BLVD
 DANIA BEACH, FL
 33004
 SPACE #M115

SPECIALTY

SHEET TITLE:
ROOF FRAMING PLAN
AND DETAILS

REVISIONS:

NO:	DATE:	BY:
△	02.19.19	PERMIT
△	04.03.19	BD RECHECK

PROJECT NO: 190029
 DRAWN BY: AAD