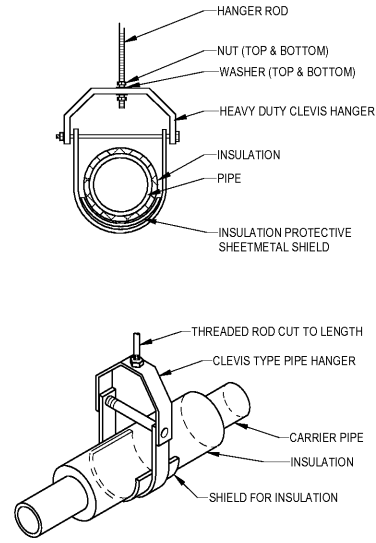
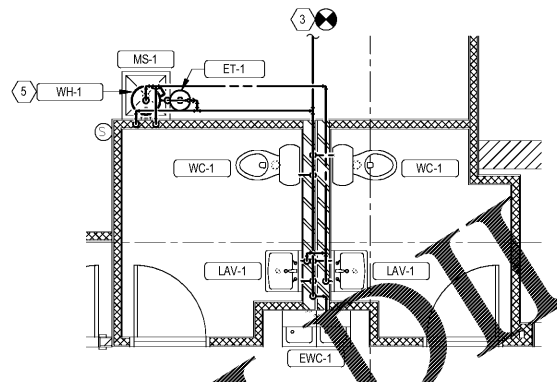


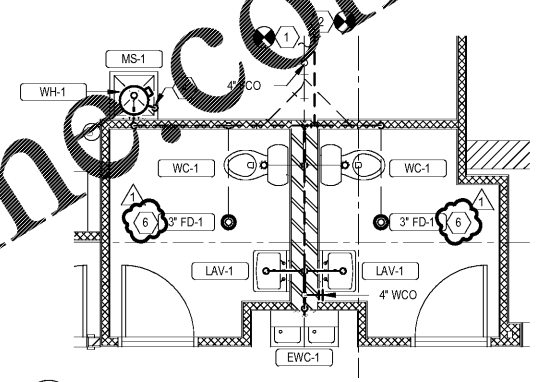
6 SUSPENDED ELECTRIC WATER HEATER DETAIL
12" = 1'-0"



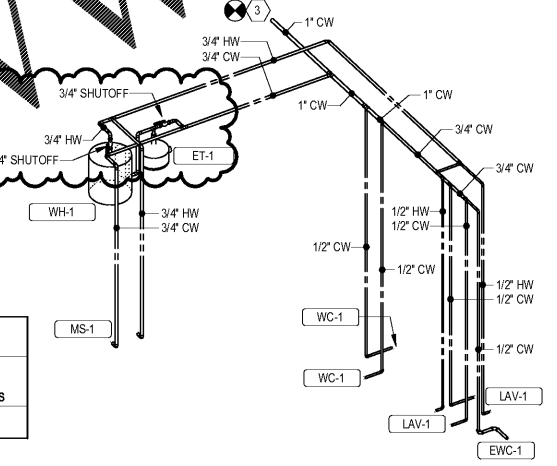
5 SUSPENDED ELECTRIC WATER HEATER DETAIL
12" = 1'-0"



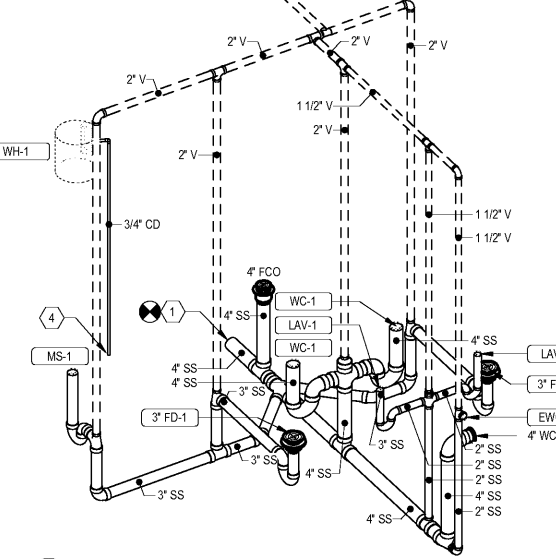
2 DOMESTIC WATER PLUMBING PLAN
1/4" = 1'-0"



1 WASTE AND VENT PLUMBING PLAN
1/4" = 1'-0"



4 DOMESTIC WATER RISER DIAGRAM
1/4" = 1'-0"



3 WASTE AND VENT RISER DIAGRAM
1/4" = 1'-0"

FLOOR DRAIN SCHEDULE										
ID	DESCRIPTION	MANUFACTURER	MODEL	MATERIAL DESCRIPTION	WASTE PIPE SIZE	VENT PIPE SIZE	SPECIFICATION			REMARKS
FD-1	FLOOR DRAIN	WATTS	FD-100-A	NICKEL BRONZE	3"	2"	CAST IRON FLOOR DRAIN WITH 1/2" FLANGE, REVERSIBLE CLAMPING COLLAR WITH PRIMARY & SECONDARY SEPHOLE AND UNSTABLE ROUND HEEL PROOF NICKEL BRONZE STRAINER, AND NO HUB OUTLET.			

DOMESTIC EXPANSION TANK SCHEDULE										
ID	MANUFACTURER	MODEL	SYSTEM	TANK VOLUME	ACCEPTANCE VOLUME	PRESS. RELIEF	DIMENSIONS		UNIT WEIGHT	REMARKS
ET-1	AMTROL	ST-5-C	CW	2.1 gal	0.9 gal		0'-8"	1'-1"	10 lb	

ELECTRIC WATER HEATER SCHEDULE									
ID	MANUFACTURER	MODEL NO.	TYPE	TEMP. RISE	POWER	VOLT	PHASE	REMARKS	
WH-1	AO SMITH	L-6	STORAGE	80 °F	1.50 KW	480 V	3	PROVIDE ASSE 1017 COMPLIANT MIXING VALVE; POWERS SERIES LF5H OR EQUAL.	

DOMESTIC FIXTURE SCHEDULE																				
ID	DESCRIPTION	MANUFACTURER	MODEL	MATERIAL DESCRIPTION	FINISH	TRIM			FLOW FIXTURE				FLUSH FIXTURE		WASTE ROUGH-IN PIPE SIZE	INDIRECT WASTE PIPE SIZE	VENT PIPE SIZE	COLD WATER ROUGH-IN PIPE SIZE	HOT WATER ROUGH-IN PIPE SIZE	SPECIFICATION
						MANUFACTURER	MODEL	TYPE	MOTION SENSOR CONTROL	WATER FLOW	TIMER DURATION (SEC)	COLD WATER TEMP.	HOT WATER TEMP.	MAX. MIXED WATER TEMP.						
EWC-1	WATER COOLER - DUAL HEIGHT	ELKAY	EZSTL8WSSK	GALVANIZED STEEL	STAINLESS STEEL CABINET				No	0.1 GPM	15	40 °F	120 °F	105 °F		2"	1-1/2"	1/2"	1/2"	TWO LEVEL WALL HUNG WATER COOLER WITH BOTTLE FILLING STATION. THE UNIT SHALL BE COMPLETE WITH CABINET, MOUNTING FRAME, SELF CLOSING EASY TOUCH SIDE AND FRONT PUSHBAR CONTROLS, FLEXIGUARD SAFETY BUBBLER, REFRIGERATING SYSTEM, AIR COOLED, 120 VOLT, 80 CYCLE, SINGLE PHASE POWER CONNECTION, FULLY AUTOMATIC, COMPLETE AND READY TO OPERATE.
LAV-1	LAVATORY - WALL HUNG - ADA	AMERICAN STANDARD	LUCERNE	WHITE VITREOUS CHINA	WHITE	CHICAGO FAUCET CO	116.976.AB.1	ELECTRONIC	Yes	0.5 GPM	12	40 °F	120 °F	105 °F		2"	1-1/2"	1/2"	1/2"	WALL HUNG LAVATORY WITH BACKSPASH FAUCET HOLES ON 4" CENTERS. DECK MOUNTED FAUCET WITH SENSOR, WATER TURBINE POWER WITH VANDAL RESISTANT SPRAY. EXTERNAL ASSE 1070 COMPLIANT THERMOSTATIC MIXING VALVE, GRID DRAIN, LOOSE KEY ANGLE STOPS AND SUPPLIES. INSULATE WATER AND WASTE WITH ADA INSULATION KIT. MOUNT AT ADA COMPLIANT HEIGHT.
MS-1	MOP SINK	FIAT	MSB-2424	MOLDED STONE		CHICAGO FAUCET CO	897-CP	MANUAL	No	2.5 GPM	0	40 °F	120 °F	105 °F		3"	3/4"	3/4"	3/4"	SERVICE BASIN WITH CAP ON TWO SIDES, WITH CHROME PLATED 3" DRAIN AND CAST IRON TRAP. FAUCET SHALL INCLUDE PAIL HOOK AND ATMOSPHERIC VACUUM BREAKER SPOUT. FURNISH 5'-0" LENGTH OF 5-PLY GARDEN HOSE AND FITTINGS.
WC-1	WATER CLOSET - FLOOR MOUNT - TANK TYPE - ADA	AMERICAN STANDARD	CADET	WHITE VITREOUS CHINA	WHITE	TANK TYPE			No			40 °F	40 °F		1.28 gal	1.28 gal	4"	2"	1/2"	ELONGATED FLOOR MOUNTED TANK TYPE WATER CLOSET, WITH CHURCH 295CT ELONGATED OPEN FRONT SEAT. PROVIDE A 1/4" BRASS BALL VALVE AT WALL CONNECTION. INSTALL AT ADA COMPLIANT HEIGHT.

- KEYNOTES**
- CONNECT NEW SANITARY LINE INTO EXISTING SANITARY SEWER RISER. FIELD VERIFY EXACT SIZE AND LOCATION PRIOR TO BID. REFER TO RISER DIAGRAM AND PLUMBING SPECIFICATIONS FOR ADDITIONAL INFORMATION.
 - CONNECT NEW VENT PIPING INTO EXISTING VENT RISER. FIELD VERIFY EXACT SIZE AND LOCATION PRIOR TO BID. REFER TO RISER DIAGRAM AND PLUMBING SPECIFICATIONS FOR ADDITIONAL INFORMATION.
 -
 - ROUTE 3/4" DRIP PAN DRAIN AND 3/4" WH-1 PRESSURE RELIEF VALVE PIPE TO MOP SINK WITH AIR GAP AT DISCHARGE. AIR GAP SHALL BE TWO TIMES THE DIAMETER OF THE FIXTURE DRAIN, NO LESS THAN 1". SLOPE ANY CONDENSATE DRAIN AT 1/8" PER FOOT TOWARDS TERMINATION.
 - TANK-TYPE WATER HEATER ON DECK ABOVE MOP SINK. PLUMBING CONTRACTOR SHALL PROVIDE A 6" DEEP DRAIN PAN, COORDINATE WITH ELECTRICAL CONTRACTOR SEE DETAIL 101.
 - INSTALL WATER-SUPPLIED TRAP SEPARATOR OVER FLOOR DRAIN PER LOCAL CODE REQUIREMENTS. ROUTE TRAP DOWN THROUGH PLUMBING CHASE AND UNDERFLOOR TO FLOOR DRAIN LOCATION.

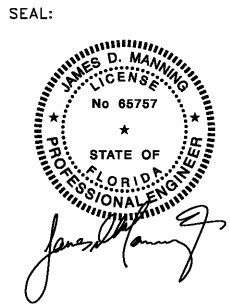
PATRICK G. BLEES
architecture • planning • interior design

PATRICK G. BLEES, ARCHITECT, PLLC
800 WASHINGTON AVE. N., SUITE 208
MINNEAPOLIS, MN 55401-1148
PHONE: (612) 547-1300
FAX: (612) 547-1301

CONTACT: KRISTIN MOAN
kmoan@cmarch.com

CONSULTANTS:
Gausman & Moore

Mechanical and Electrical Engineers
1700 West Highway 36 - Suite 700
Roseville, Minnesota 55113
(651) 639-9608 Fax (651) 639-9618
Project No. 86596



04/02/2019
DATE ISSUED

65757
REG. NO.

LUCKY BRAND
DANIA POINTE

1763 POINTE BLVD
DANIA BEACH, FL
33004
SPACE #M115

SPECIALTY

SHEET TITLE:
PLUMBING PLANS, RISERS,
DETAILS, AND SCHEDULES

REVISIONS:
ORIGINAL ISSUE: 01.17.19

NO.	DATE:	BY:
1	04/03/19	BLDG

PROJECT NO: 18028.008
DRAWN BY: PAS

P100