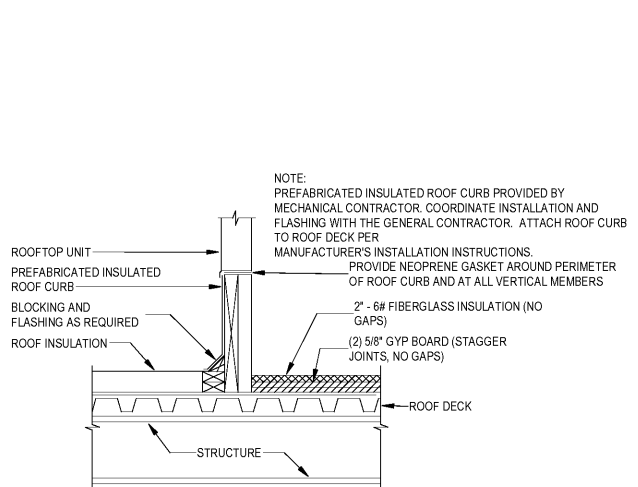


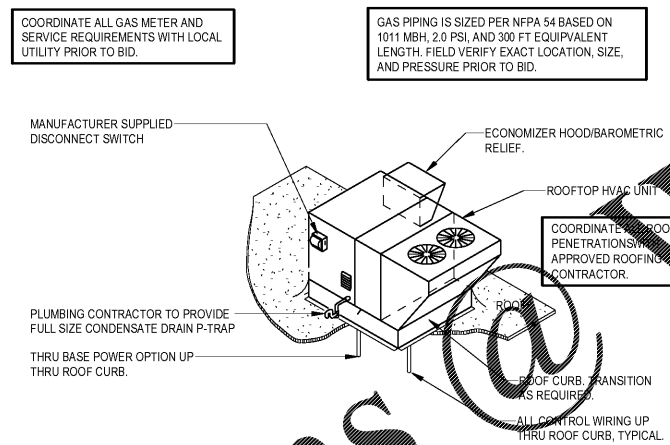
EXHAUST FAN SCHEDULE															
ID	MANUFACTURER	MODEL NO.	TYPE	ARRANGEMENT	FAN				MOTOR		UNIT WEIGHT	VOLT	PH	INTERLOCK	REMARKS
					AIRFLOW DESIGN	RPM	DRIVE TYPE	QTY	POWER						
EF-1	GREENHECK	SP-B150	CEILING	ROUND OUTLET	150 CFM	1050	DIRECT	1	0.25 hp	12 lb	115 V	1	WITH RESTROOM LIGHTS	PROVIDE INTEGRAL BACKDRAFT DAMPER.	
EF-2	GREENHECK	SP-B150	CEILING	ROUND OUTLET	150 CFM	1050	DIRECT	1	0.25 hp	12 lb	115 V	1	WITH RESTROOM LIGHTS	PROVIDE INTEGRAL BACKDRAFT DAMPER.	

GRILLES, REGISTERS AND DIFFUSERS SCHEDULE												
ID	DESCRIPTION	MANUFACTURER	MODEL	SYSTEM	INSTALLATION BORDER TYPE	SPECIFICATION	NOTES					
A	ROUND DIFFUSER WITH ADJUSTABLE PATTERNS	TITUS	TMR	S/A	DUCT	SEE PLANS FOR SIZE. MILL FINISH.	SUPPLY AIR DIFFUSER WITH OPPOSED BLADE DAMPER. ALL DIFFUSERS IN SALES AREA MUST BE PAINTED TO MATCH CEILING. VERIFY EXACT COLOR WITH ARCHITECT.					
B	LOUVERED FILTER GRILLE	TITUS	350RL	R/A	TYPE 1 (SURFACE)	SEE PLANS FOR SIZE. WHITE FINISH.	35° DEFLECTION RETURN/EXHAUST GRILLE. ALL GRILLES IN SALES AREA MUST BE PAINTED TO MATCH CEILING. PROVIDE FILTER.					
C	LOUVERED SINGLE DEFLECTION GRILLE	TITUS	301FL	S/A	TYPE 1 (SURFACE)	SEE PLAN FOR SIZE. WHITE FINISH.	SINGLE DEFLECTION SUPPLY AIR GRILLE.					

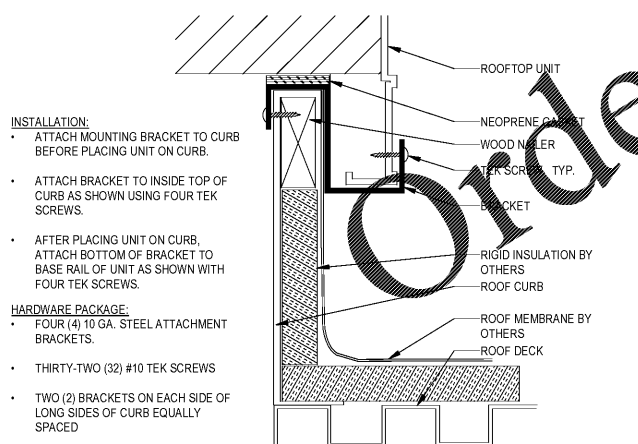
ROOFTOP UNIT SCHEDULE																															
ID	MANUFACTURER	MODEL NO.	TYPE	ARRANGEMENT	OUTSIDE AIR FLOW	FAN					COOLING COIL					HEATING COIL					SEACOAST PROT	UNIT WEIGHT	MCA	MOCP	VOLT	PH	REMARKS				
						AIRFLOW DESIGN	PRESS ESP	DRIVE TYPE	QTY	MOTOR RPM	NOMINAL CAP	TOTAL	SENSIBLE	EAT(db)	EAT(wb)	LAT(db)	LAT(wb)	CAP	EAT(db)	LAT(db)								QTY	POWER	BEER	BEER
RTU-1	TRANE	THD180G4RGB**M0B1A1A	ELECTRIC	DOWNFLOW	1235 CFM	5000 CFM	0.75 in-wg	BELT	1	661	15 ton	174710 Btu/h	131320 Btu/h	79.5 °F	66.9 °F	55.8 °F	55.9 °F	61470 Btu/h	64.0 °F	75.3 °F	1	18 kW	14	Yes	2340 lb	35.0 A	45.0 A	480 V	3		
RTU-2	TRANE	THC036E4RBA**M0B1A1A	ELECTRIC	DOWNFLOW	267 CFM	960 CFM	0.50 in-wg	BELT	1	851	3 ton	37360 Btu/h	24330 Btu/h	80.5 °F	67.8 °F	58.4 °F	55.7 °F	20490 Btu/h	63.0 °F	82.7 °F	1	6 kW	12.7	15	Yes	773 lb	15.0 A	15.0 A	480 V	3	



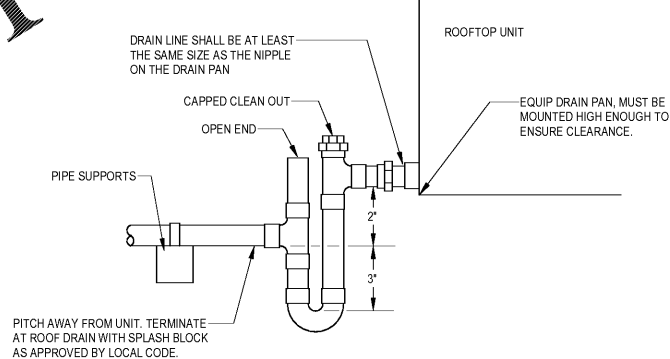
1 ROOFTOP UNIT CURB INSTALLATION DETAIL  
NO SCALE



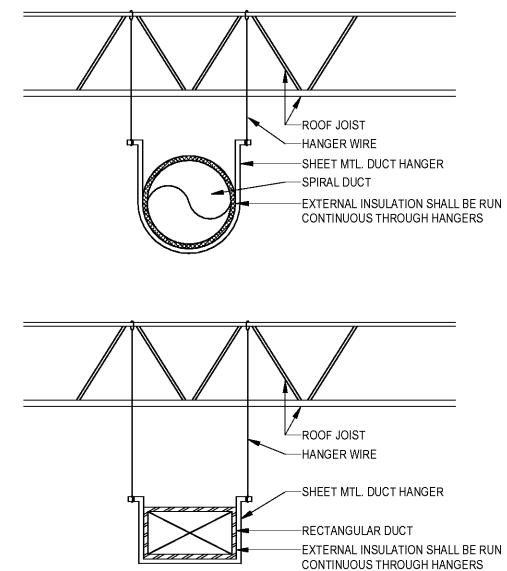
2 ROOFTOP UNIT DETAIL  
NO SCALE



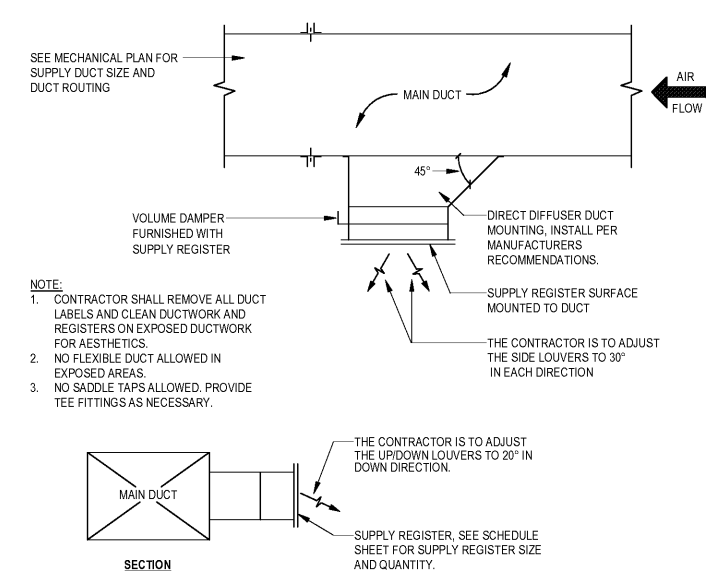
3 RTU HOLD-DOWN BRACKET INSTALLATION DETAIL  
1/8" = 1'-0"



4 ROOFTOP UNIT CURB DETAIL  
NO SCALE



5 DUCT HANGING DETAILS  
NO SCALE



6 DUCT MOUNTED SUPPLY AIR GRILLE DETAIL  
NO SCALE

VENTILATION RATE SUMMARY			
NAME	AREA	NUMBER OF PEOPLE	OA REQUIRED
STOCK	709 SF	0	110 CFM
FITTING ROOMS	354 SF	5	190 CFM
RESTROOMS	141 SF	1	137 CFM
SALES FLOOR	3566 SF	53	1044 CFM
			1481 CFM

HEAT LOSS AND HEAT GAIN CALCULATIONS				
LUCKY - DANIA BEACH, FL				
HEATING:		COOLING:		
IA: 70°F		IA: 75°F/50%RH		
OA: 48.7°F		OA: 93.78(DB/WB)°F		
RTU-1/2 SALES/STOCK				
ITEM	HEAT LOSS		HEAT GAIN	
	SENSIBLE (BTUH)	TOTAL (BTUH)	SENSIBLE (BTUH)	TOTAL (BTUH)
LIGHTING	---	18605 / 2045	---	18605 / 2045
PEOPLE	---	14447 / 0	11558 / 0	26005 / 0
VENTILATION	28010 / 6056	24541 / 5306	41990 / 9078	66531 / 14384
ROOF	3018 / 670	---	1953 / 1012	1953 / 1012
WALL	3095 / 1521	---	1783 / 1482	1783 / 1482
FLOOR	3042 / 676	---	506 / 529	506 / 529
GLASS TRAN	8022 / 1138	---	6100 / 1063	6100 / 1063
GLASS SOLAR	---	---	54827 / 8939	54827 / 8939
INFILTRATION	4263 / 937	---	2060 / 501	5110 / 1112
MISC	-139 / 139	---	6790 / 738	6790 / 738
RTU-1/2	49311 / 11137	---	131612 / 21615	58658 / 10190
				190270 / 31805

**PATRICK G. BLEES**  
 architecture • planning • interior design  
 PATRICK G. BLEES, ARCHITECT, PLLC  
 800 WASHINGTON AVE N, SUITE 208  
 MINNEAPOLIS, MN 55401-1148  
 PHONE: (612) 547-1300  
 FAX: (612) 547-1301

CONTACT: KRISTIN MOAN  
 kmoan@cmarch.com

CONSULTANTS:  
**Gausman & Moore**  
 Mechanical and Electrical Engineers  
 1700 West Highway 36 - Suite 700  
 Roseville, Minnesota 55113  
 (651) 639-9606 Fax (651) 639-9618  
 Project No. 86596

SEAL:  
  
 JAMES D. MANNING  
 LICENSE  
 No 65757  
 STATE OF FLORIDA  
 PROFESSIONAL ENGINEER  
 James D. Manning

04/02/2019  
 DATE ISSUED  
 65757

REG. NO.

**LUCKY BRAND**  
 DANIA POINTE

1763 POINTE BLVD  
 DANIA BEACH, FL  
 33004  
 SPACE #M115

SPECIALTY

SHEET TITLE:  
 MECHANICAL SCHEDULES  
 AND DETAILS

REVISIONS:  
 ORIGINAL ISSUE: 01.17.19

NO.	DATE	BY:

PROJECT NO: 18028.008  
 DRAWN BY: BPH

**M200**