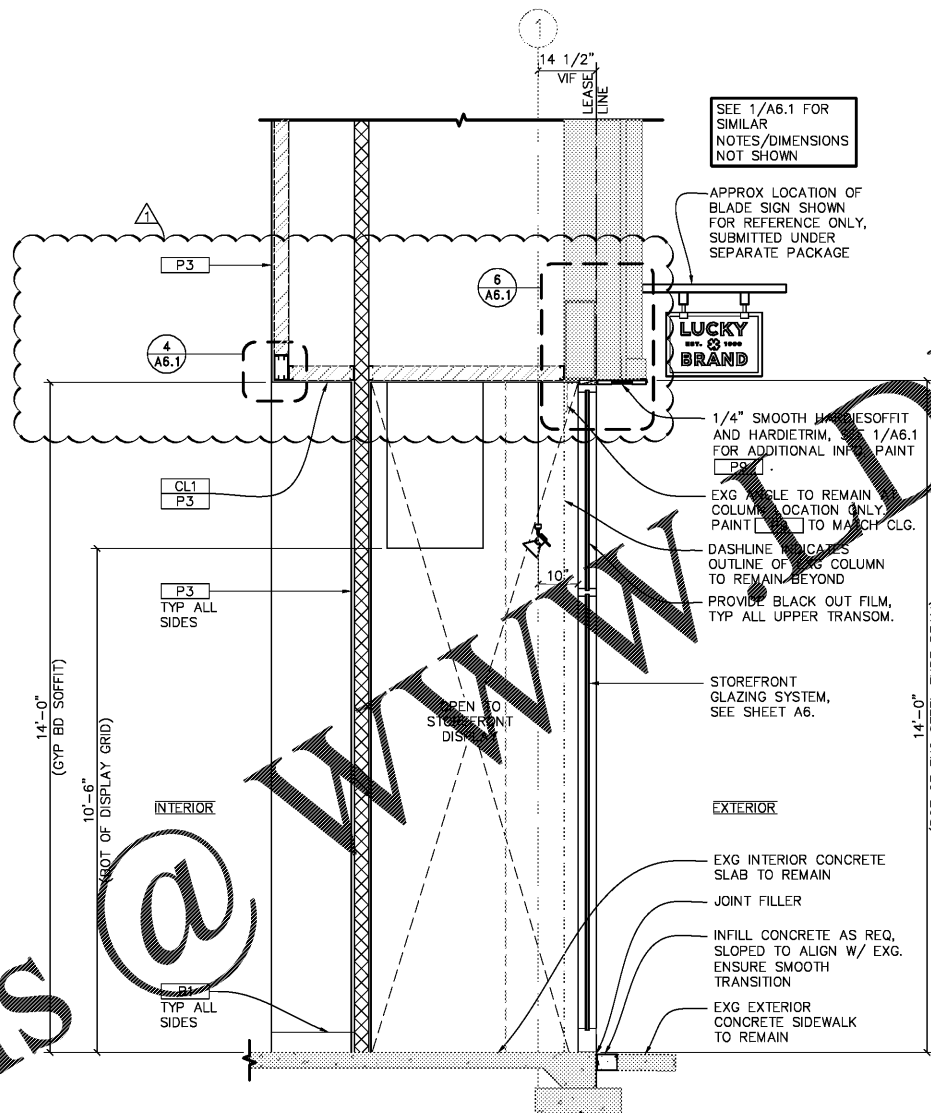
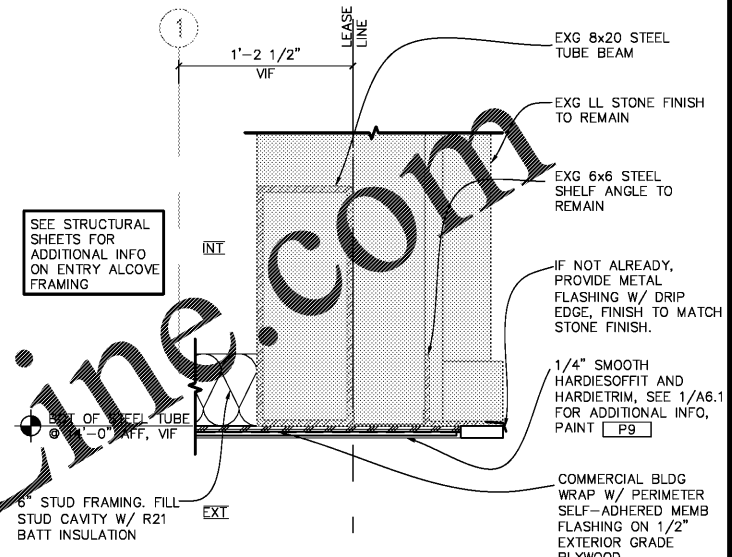


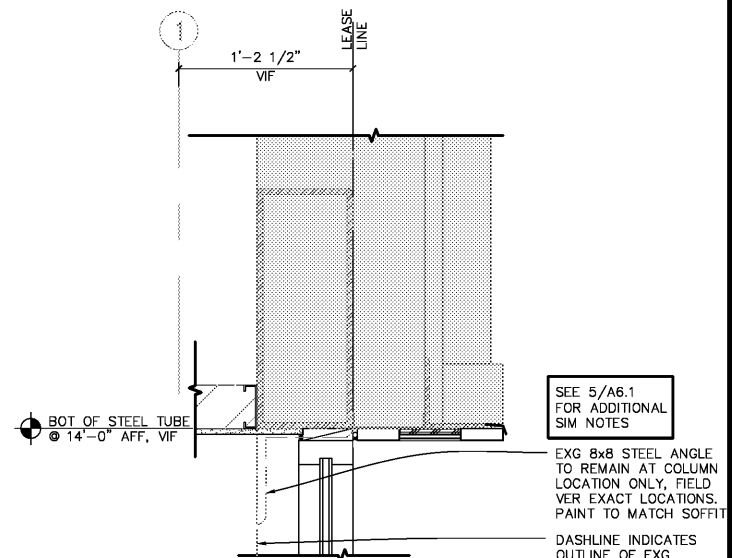
1 STOREFRONT SECTION AT DOOR
A6.1 SCALE 1/2" = 1'-0"



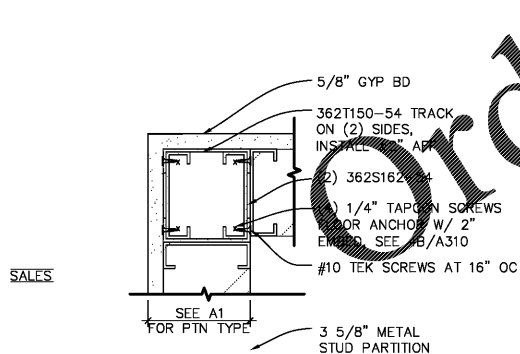
2 STOREFRONT SECTION AT GLAZING
A6.1 SCALE 1/2" = 1'-0"



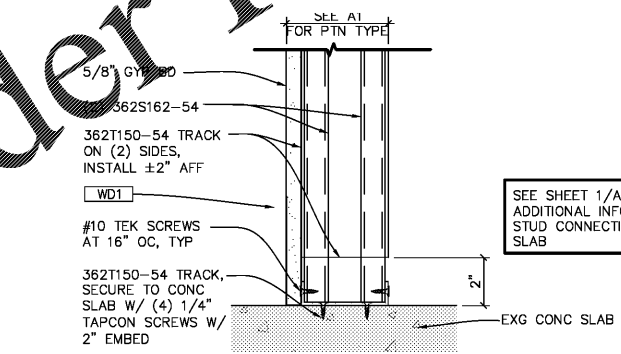
5 STOREFRONT SOFFIT DETAIL
A6.1 SCALE 1 1/2" = 1'-0"



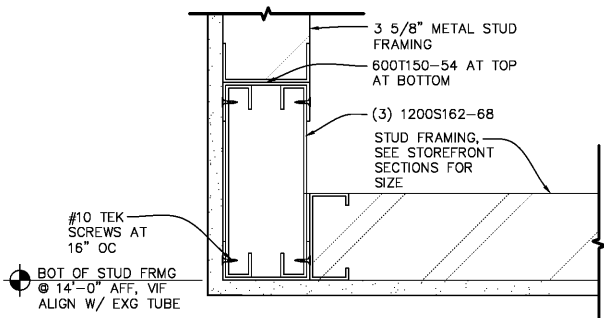
6 STOREFRONT SOFFIT DETAIL
A6.1 SCALE 1 1/2" = 1'-0"



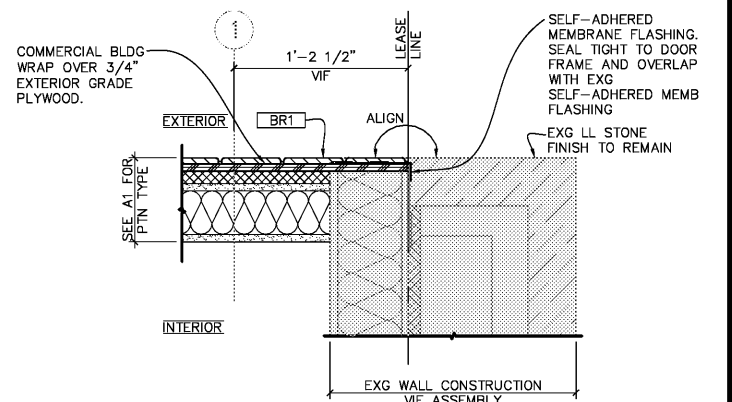
3 BOX COLUMN DETAILS
A6.1 SCALE 3" = 1'-0"



B SECTION AT SLAB CONNECTION



4 BOX HEADER DETAILS
A6.1 SCALE 3" = 1'-0"



7 PLAN DETAIL AT ENTRY ALCOVE
A6.1 SCALE 1 1/2" = 1'-0"

SEAL:

PATRICK G. BLEES, ARCHITECT

04/03/19
DATE ISSUED
AR93439
REG. NO.

LUCKY BRAND
DANIA
POINTE

1763 POINTE BLVD
DANIA BEACH, FL
33004

SPACE #M115

SPECIALTY

SHEET TITLE:
STOREFRONT SECTIONS
AND DETAILS

REVISIONS:

ORIGINAL ISSUE: 01.17.19	NO: 1	DATE: 04/03/19	BY: BLDG
04.03.19			BLDG

PROJECT NO: 18028.008
DRAWN BY: LNC/EB

A6.1