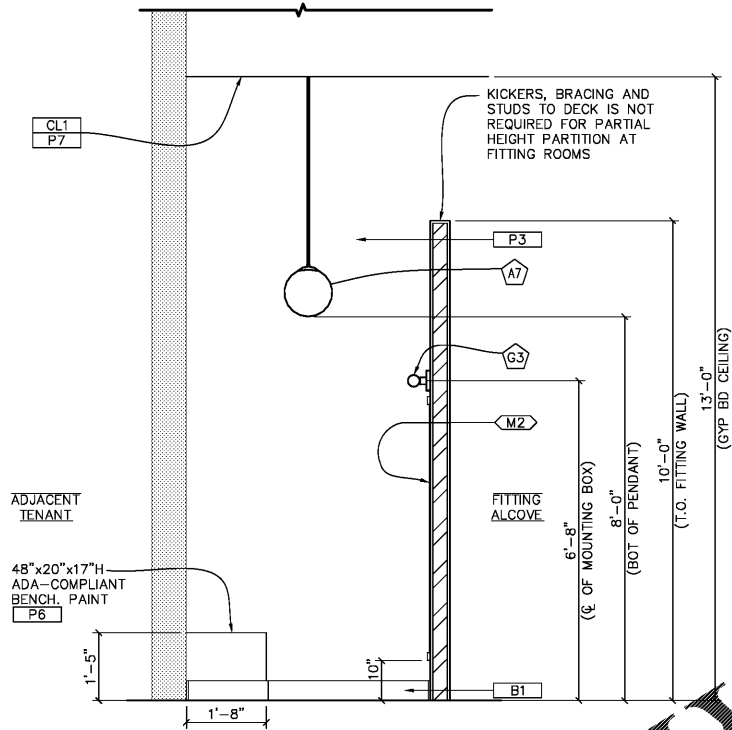
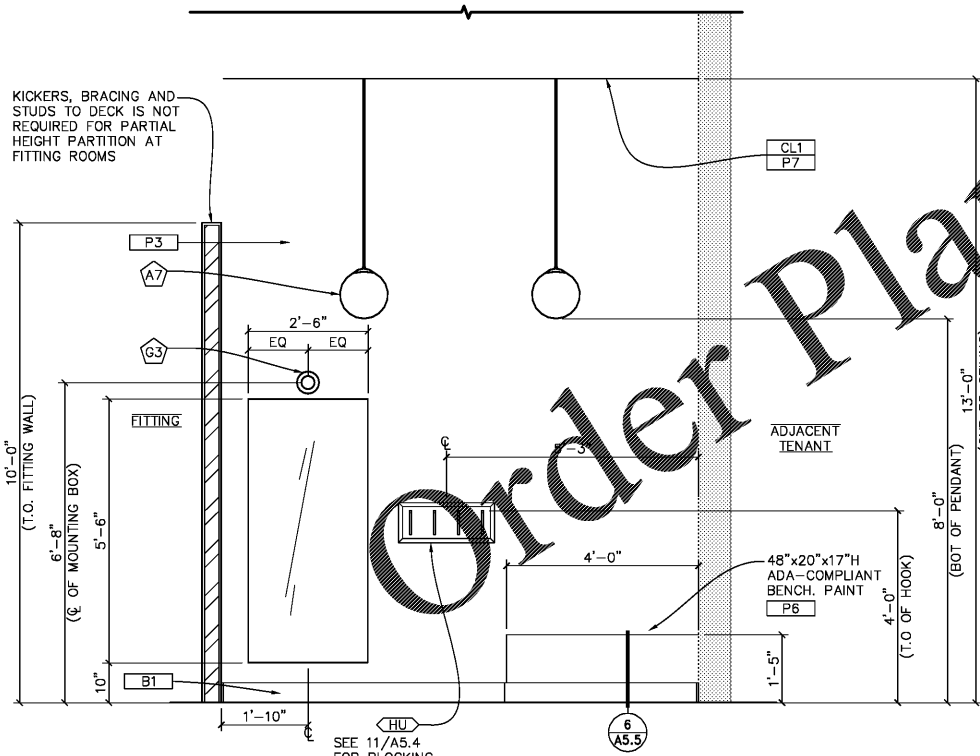


1 ADA FITTING ROOM ELEVATION
A5.5 SCALE 1/2" = 1'-0"

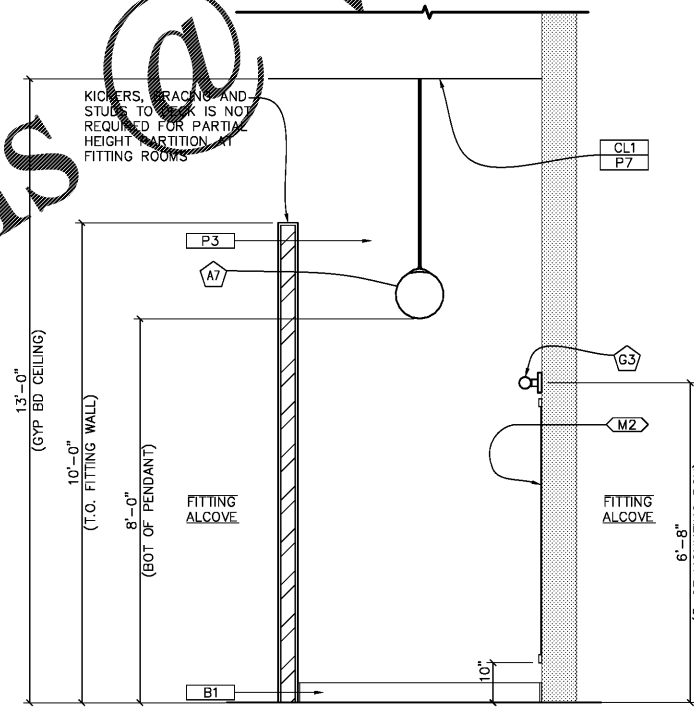


3 ADA FITTING ROOM ELEVATION
A5.5 SCALE 1/2" = 1'-0"

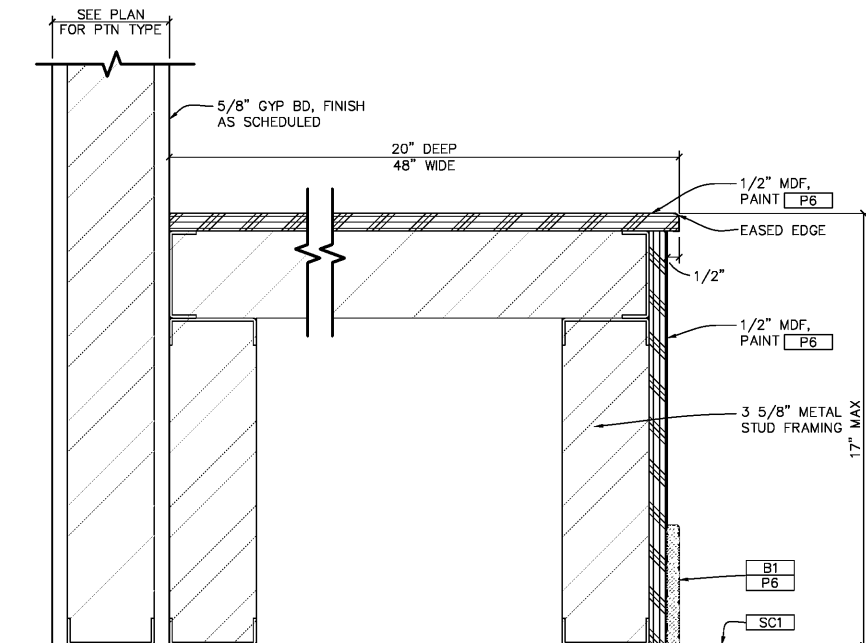
5 NOT USED
A5.5 SCALE 3" = 1'-0"



2 ADA FITTING ROOM ELEVATION
A5.5 SCALE 1/2" = 1'-0"



4 ADA FITTING ROOM ELEVATION
A5.5 SCALE 1/2" = 1'-0"



6 FITTING ROOM BENCH DETAIL
A5.5 SCALE 3" = 1'-0"

SEAL:

PATRICK G. BLEES, ARCHITECT

04/03/19

DATE ISSUED

AR93439

REG. NO.

LUCKY BRAND

DANIA
POINTE

1763 POINTE BLVD
DANIA BEACH, FL
33004

SPACE #M115

SPECIALTY

SHEET TITLE:

INTERIOR ELEVATIONS
ADA FITTING ROOM

REVISIONS:
ORIGINAL ISSUE: 01.17.19
NO: 1 DATE: 04/03/19 BY: BLDG

PROJECT NO: 18028.008
DRAWN BY: LNC

A5.5