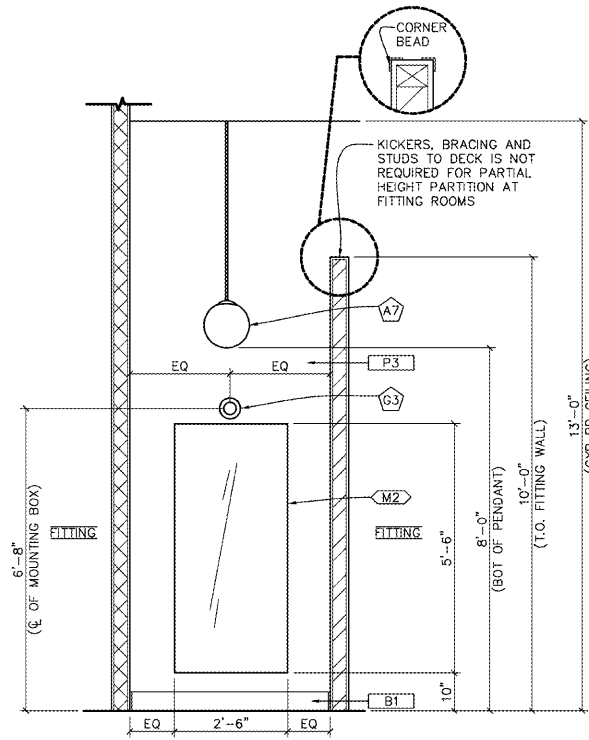
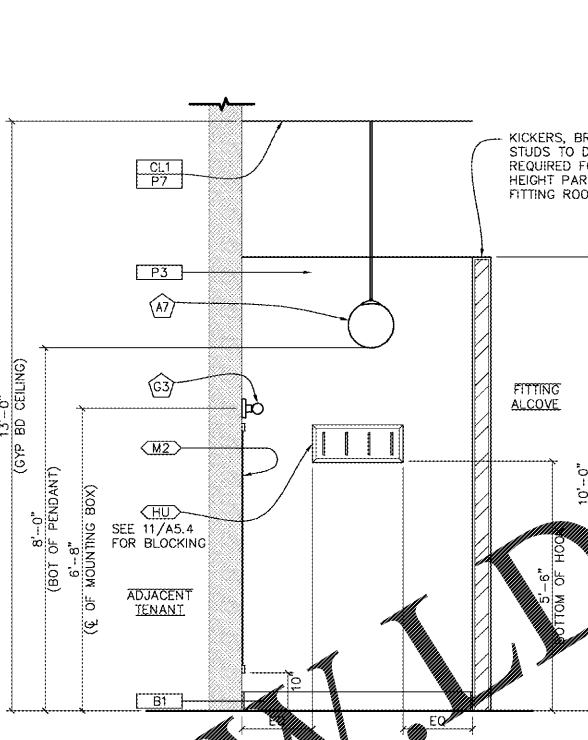


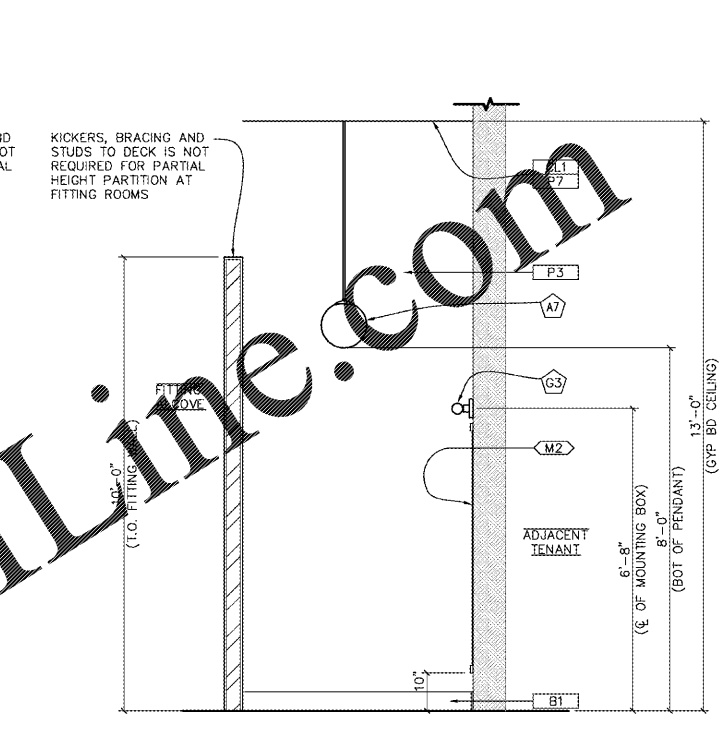
1 TYPICAL FITTING ROOM ELEVATION
A5.4 SCALE 1/2" = 1'-0"



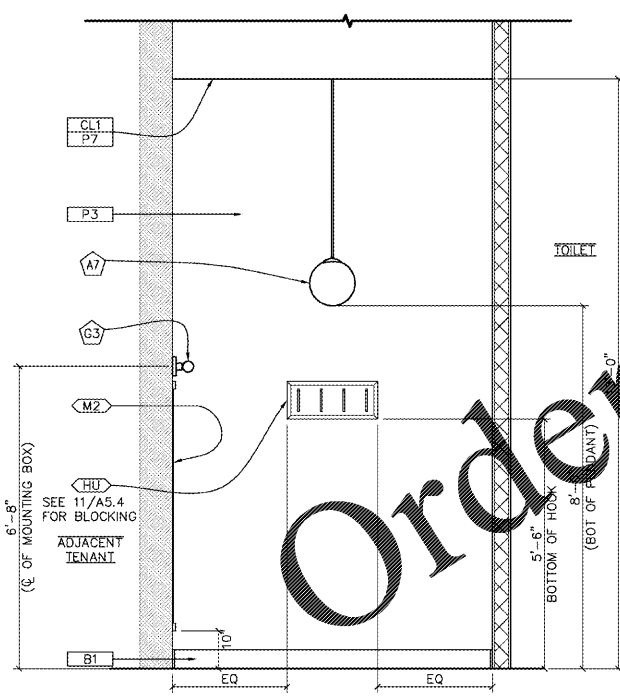
2 TYPICAL FITTING ROOM ELEVATION
A5.4 SCALE 1/2" = 1'-0"



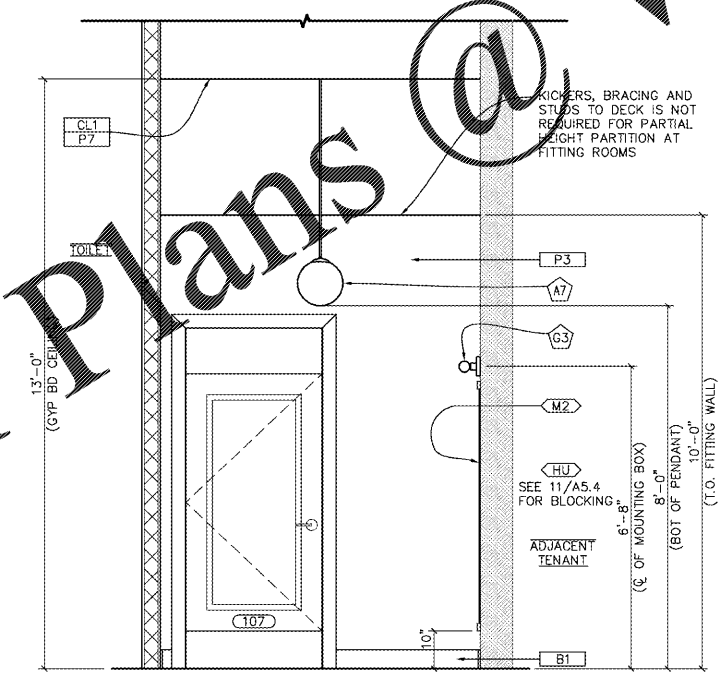
3 TYPICAL FITTING ROOM ELEVATION
A5.4 SCALE 1/2" = 1'-0"



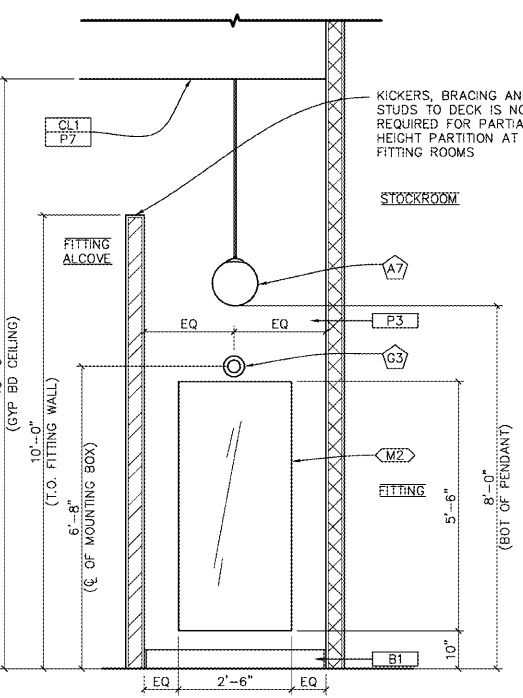
4 TYPICAL FITTING ROOM ELEVATION
A5.4 SCALE 1/2" = 1'-0"



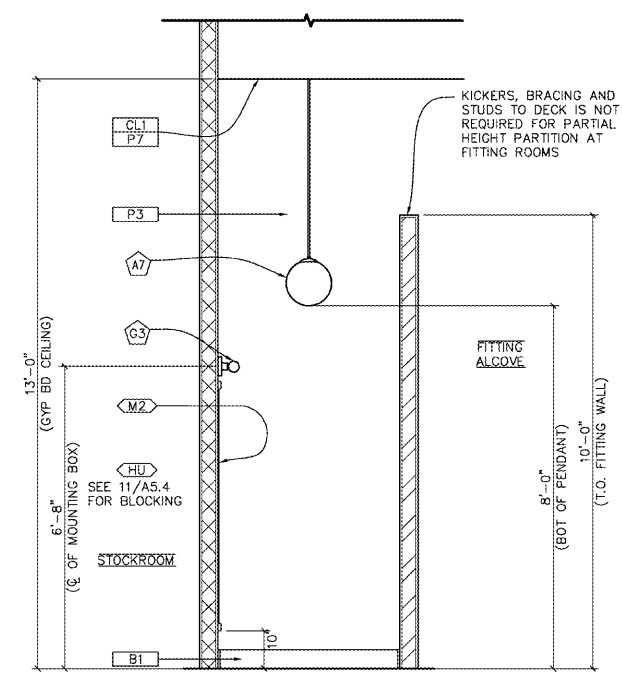
5 FITTING ROOM ELEVATION
A5.4 SCALE 1/2" = 1'-0"



6 FITTING ROOM ELEVATION
A5.4 SCALE 1/2" = 1'-0"



7 FITTING ROOM ELEVATION
A5.4 SCALE 1/2" = 1'-0"



8 FITTING ROOM ELEVATION
A5.4 SCALE 1/2" = 1'-0"

Order Plans @ WWW.LDIDLINE.COM

SEAL:

PATRICK G. BLEES, ARCHITECT

DATE ISSUED: 04/03/19
REG. NO. AR93439

LUCKY BRAND
DANIA POINTE

1763 POINTE BLVD
DANIA BEACH, FL 33004
SPACE #M115

SPECIALTY
SHEET TITLE:
INTERIOR ELEVATIONS
AT TYPICAL
FITTING ROOM

REVISIONS:
ORIGINAL ISSUE: 01.17.19
NO: 1 DATE: 04/03/19 BY: BLDG

PROJECT NO. 18028.008
DRAWN BY: LNC/MGM

A5.4