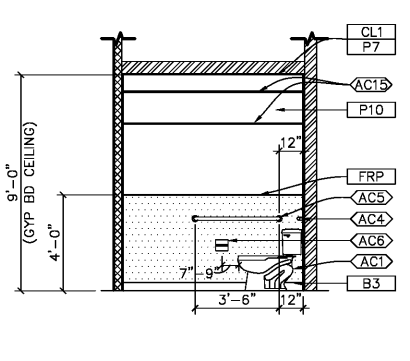


NOTE: FINISHES TYP AT ALL TOILET ELEVATIONS.

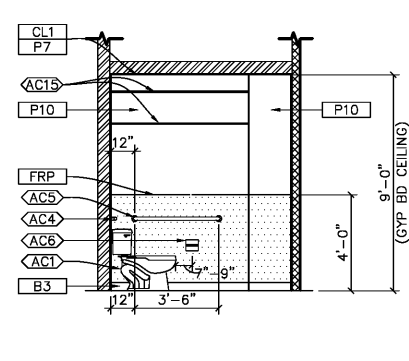
NOTE: INSTALL NONABSORBENT FRP WAINSCOT TO 4'-0" AFF ON ALL WALLS IN TOILET ROOM. ACCESSORIES INSTALLED ON OR WITHIN THIS AREA SHALL BE SEALED WATER TIGHT.

NOTE: TOILET ROOM SHALL CONFORM TO ALL ADA REQUIREMENTS INCLUDING BUT NOT LIMITED TO:

- GRAB BAR DIAMETER: 1 1/2".
- INSULATE EXPOSED LAVATORY SUPPLY AND WASTE PIPES.
- INTERNATIONAL ACCESSIBILITY SYMBOL SHALL BE MOUNTED ON THE WALL ADJACENT TO THE LATCH OUTSIDE OF THE DOOR.



2 TOILET ROOM ELEVATION
A5.3 SCALE: 1/4" = 1'-0"



6 TOILET ROOM ELEVATION
A5.3 SCALE: 1/4" = 1'-0"

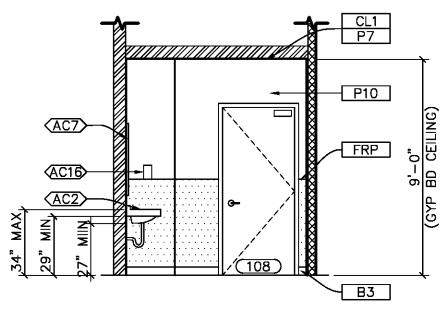
LANDLORD PLUMBING NOTES

- TOILET FACILITIES SHALL BE DESIGNATED IN COMPLIANCE WITH ALL APPLICABLE ADA AND BUILDING DEPT. CODES.
- PROVIDE 3" FLOOR DRAIN AND CLEAN-OUT.
- EACH RESTROOM MUST HAVE AN EXHAUST SYSTEM.
- TENANT IS REQUIRED TO PROVIDE A WATERPROOF MEMBRANE BENEATH THE FINISH FLOOR SURFACE UP TO A HEIGHT OF 4" ALONG ALL WALLS.
- TOILET ROOMS WALLS AND CEILING SHALL BE CONSTRUCTED OF METAL STUDS WITH WATER-RESISTANT 5/8" TYP "X" GYP BD APPLIED TO THE INTERIOR SIDE OF THE TOILET ROOM. AT A MINIMUM, INTERIOR WALL FINISHES SHALL BE A LIGHT COLORED ENAMEL PAINT WITH A 48" HIGH WAINSCOT EXTENDING 24" ON EACH SIDE OF AND 24" BEYOND THE FRONT PORTION OF ANY WATER CLOSET. THE CEILING SHALL BE A MINIMUM OF 8'-0" AFF, BE CONSTRUCTED OF 8" TYP "X" WATER RESISTANT GYP BD AND BE FINISHED WITH ENAMEL PAINT. THE CEILING SHALL CONTAIN A VENT, WHICH SHALL BE CONNECTED TO THE LANDLORD'S EXHAUST SYSTEM OR AS PURSUANT TO THE GUYTON REQUIREMENTS.

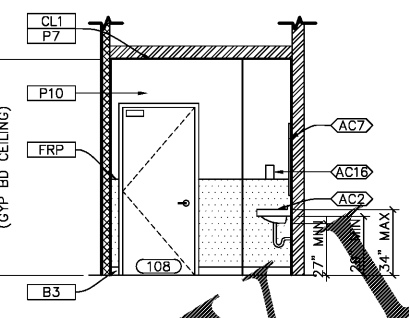
1 RESTROOM PLAN
A5.3 SCALE: 1/4" = 1' = 0"

ACCESSIBLE TOILET ROOM SIGNAGE

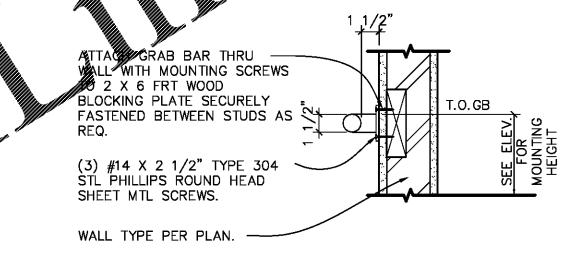
WHERE PERMANENT IDENTIFICATION IS PROVIDED FOR ROOMS AND SPACES, RAISED LETTERS SHALL BE PROVIDED AND SHALL BE ACCOMPANIED BY BRAILLE IN CONFORMANCE WITH SECTION 703 ADAAG. SIGNS SHALL BE INSTALLED ON THE WALL ADJACENT TO THE LATCH OUTSIDE OF THE DOOR. WHERE THERE IS NO WALL SPACE ON THE LATCH SIDE, INCLUDING AT DOUBLE LEAF DOORS, SIGNS SHALL BE PLACED ON NEAREST ADJACENT WALL, PREFERABLY ON THE RIGHT. MOUNTING HEIGHT SHALL BE 48 INCHES MINIMUM ABOVE THE FINISHED FLOOR TO THE BASELINE OF THE LOWEST TACTILE CHARACTER AND 60 INCHES MAXIMUM ABOVE THE FINISHED FLOOR TO THE BASELINE OF THE HIGHEST TACTILE CHARACTER. MOUNTING LOCATION SHALL BE DETERMINED SO THAT A PERSON MAY APPROACH WITHIN 3 INCHES WITHOUT ENCOUNTERING PROTRUDING OBJECTS OR STANDING WITHIN THE SWING OF THE DOOR.



3 TOILET ROOM ELEVATION
A5.3 SCALE: 1/4" = 1'-0"

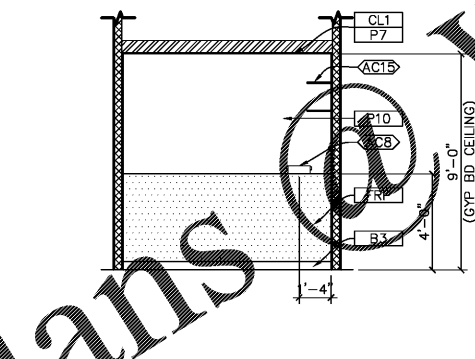


7 TOILET ROOM ELEVATION
A5.3 SCALE: 1/4" = 1'-0"

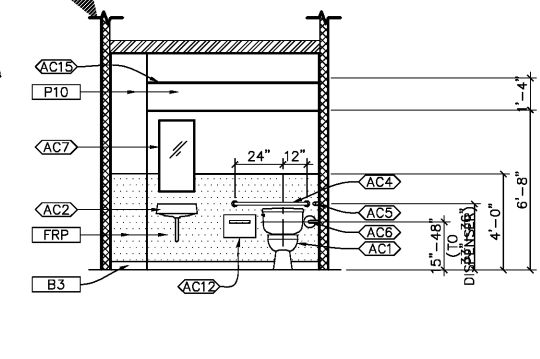


10 GRAB BAR BLOCKING
A5.3 SCALE 1 1/2" = 1'-0"

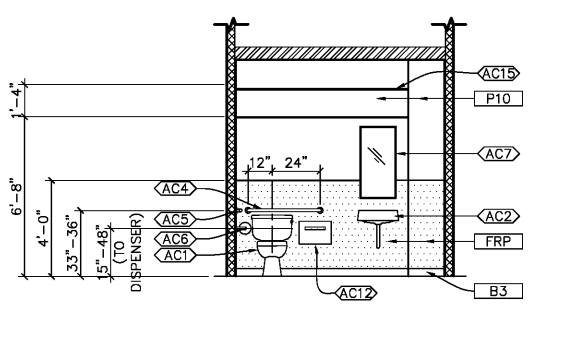
TAG	ITEM	MODEL #	COMMENT	NEW	EXG	RELO	N/A
<ACT1>	TOILET	SEE PLUMBING SHEETS	VERIFY ADA COMPLIANCE. CAULK BEHIND.	●			
<AC2>	LAVATORY	SEE PLUMBING SHEETS	VERIFY ADA COMPLIANCE. CAULK BEHIND.	●			
<AC3>	18" GRAB BAR	BOBRICK #B-6806X18	SECURE INTO FRT WD BLOCKING IN WALL	●			●
<AC4>	36" GRAB BAR	BOBRICK #B-6806X36	SECURE INTO FRT WD BLOCKING IN WALL	●			
<AC5>	42" GRAB BAR	BOBRICK #B-6806X42	SECURE INTO FRT WD BLOCKING IN WALL	●			
<AC6>	TOILET TISSUE DISPENSER	BOBRICK #B-7685, DOUBLE ROLL	SECURE INTO FRT WD BLOCKING IN WALL	●			
<AC7>	MIRROR	BOBRICK #B-165 1836	MIRROR TO BE CAULKED BEHIND WITH CLEAR SILICON.	●			
<ACB>	PAPER TOWEL DISPENSER	SUPPLIED BY TENANT	SECURE INTO FRT WD BLOCKING IN WALL	●			
<AC9>	WATER HEATER	SEE PLUMBING SHEETS	TANK TYPE	●			
<ACT10>	TOILET ACCESSIBLE SIGNAGE	---	SEE DETAIL THIS SHEET	●			
<ACT11>	DRINKING FOUNTAIN	SEE PLUMBING SHEETS	OR APPROVED EQUAL	●			
<ACT12>	SEAT COVER DISPENSER	BOBRICK B-5221	OR APPROVED EQUAL	●			
<ACT13>	MOP SINK	SEE PLUMBING SHEETS	OR APPROVED EQUAL	●			
<ACT14>	MOP HOLDER	BOBRICK #B-223 X 24	OR APPROVED EQUAL	●			
<ACT15>	SHELVING SYSTEM	GC TO PROVIDE 12"D - 3/4" FRT WOOD SHELVING, PAINTED WHITE, WITH 18"H BLOCKING IN WALL PROVIDE BRACKET AT 48" OC MIN.		●			
<ACT16>	LIQUID SOAP DISPENSER	BOBRICK #B-2111	SURFACE MOUNTED	●			
<ACT17>	COAT HOOK	CF/CI STAINLESS STEEL	SURFACE MOUNTED	●			
<ACT18>	DISHWASHER	OWNER SUPPLIED. PLUMBER TO PROVIDE VALVE THAT HOOKS TO MOP SINK FAUCET		●			



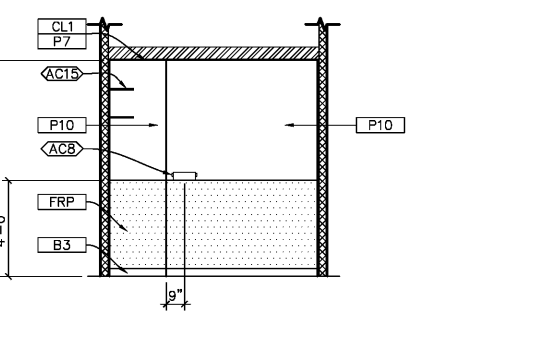
4 TOILET ROOM ELEVATION
A5.3 SCALE: 1/4" = 1'-0"



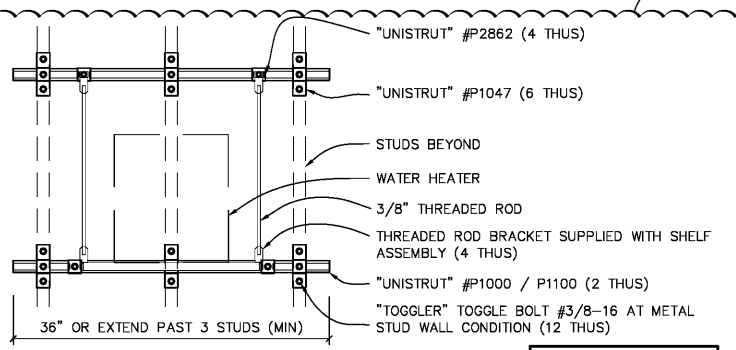
8 TOILET ROOM ELEVATION
A5.3 SCALE: 1/4" = 1'-0"



5 TOILET ROOM ELEVATION
A5.3 SCALE: 1/4" = 1'-0"

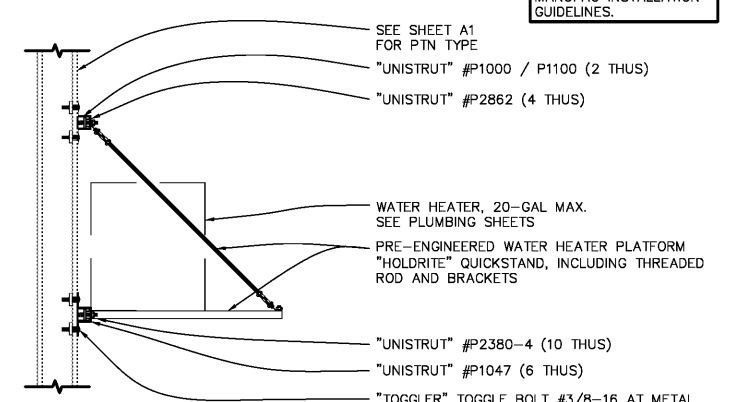


9 TOILET ROOM ELEVATION
A5.3 SCALE: 1/4" = 1'-0"



A ELEVATION

NOTE: SHELF ASSEMBLY IS ENGINEERED TO SUPPORT WATER HEATERS UP TO 20 GAL OR 375 LBS. INSTALL PRE-ENGINEERED WH PLATFORM PER MANUFAC INSTALLATION GUIDELINES.



B SECTION

11 WATER HEATER SHELF DETAIL
A5.3 SCALE 1" = 1'-0"

PATRICK G. BLEES
architecture · planning · interior design

PATRICK G. BLEES ARCHITECT, PLLC
800 WASHINGTON AVE. N., SUITE 208
MINNEAPOLIS, MN 55401-1330
PHONE: (612) 547-1300
FAX: (612) 547-1301

CONTACT: ELVY B. CLEARY
ecleary@cmarch.com

SEAL:

PATRICK G. BLEES, ARCHITECT

04/03/19
DATE ISSUED
AR93439
REG. NO.

LUCKY BRAND
DANIA
POINTE

1763 POINTE BLVD
DANIA BEACH, FL
33004
SPACE #M115

SPECIALTY

SHEET TITLE:
ENLARGED PLAN AND
INTERIOR ELEVATIONS
TOILETS

REVISIONS:
ORIGINAL ISSUE: 01.17.19
NO: 1 DATE: 04/03/19 BY: BLDG

NO.	DATE	BY
1	04.03.19	BLDG

PROJECT NO: 18028.008
DRAWN BY: LNC/ECB

A5.3