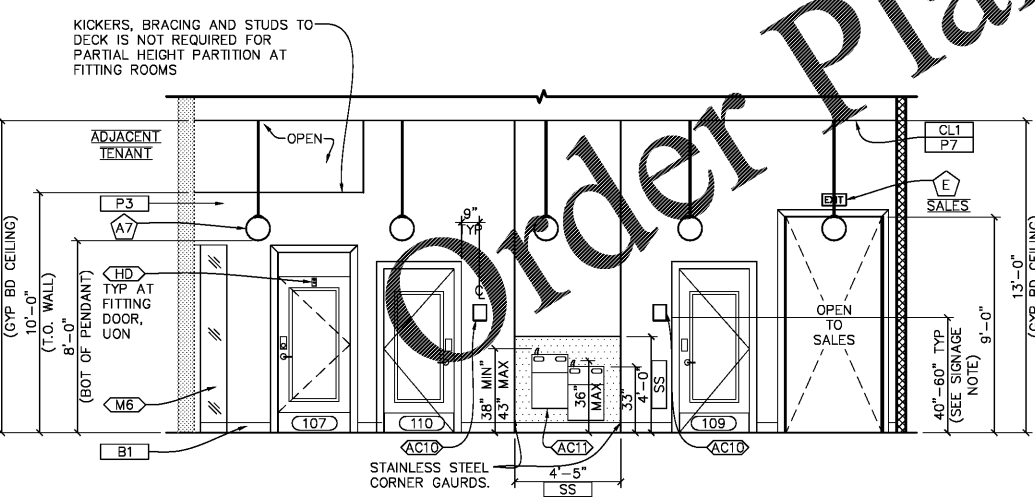
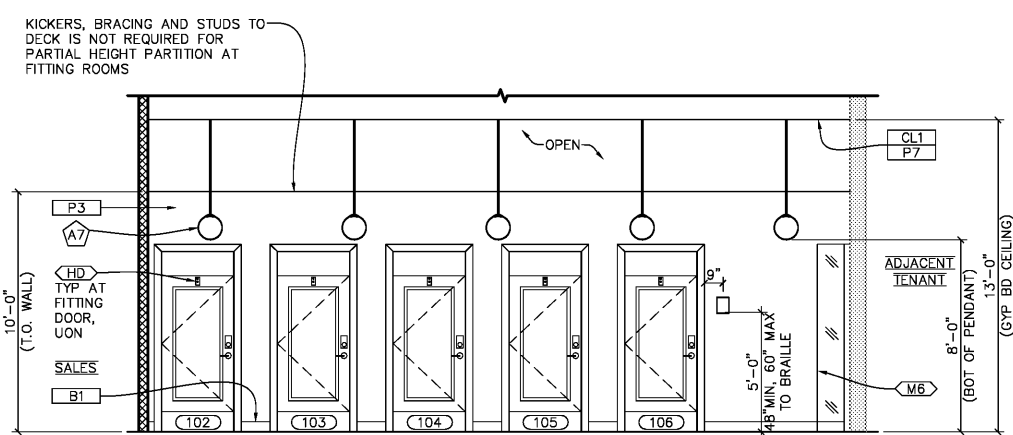


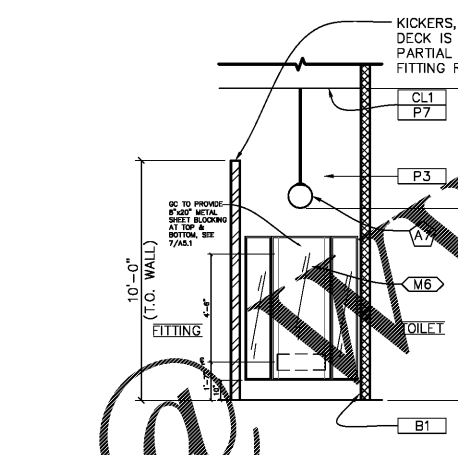
1 FITTING ROOM PLAN
A5.1 SCALE: 1/4" = 1' = 0"



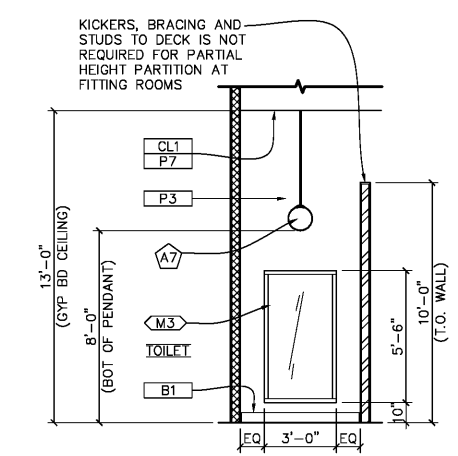
2 FITTING ALCOVE ELEVATION
A5.1 SCALE 1/4" = 1' = 0"



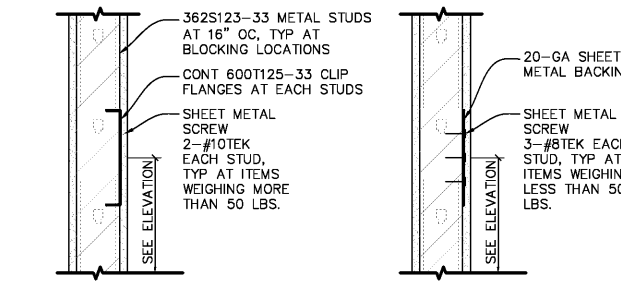
3 FITTING ALCOVE ELEVATION
A5.1 SCALE 1/4" = 1' = 0"



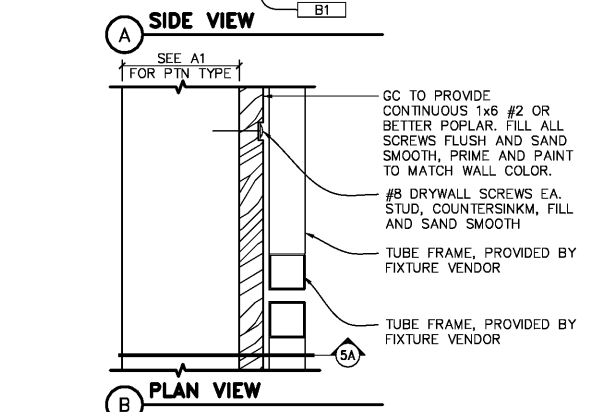
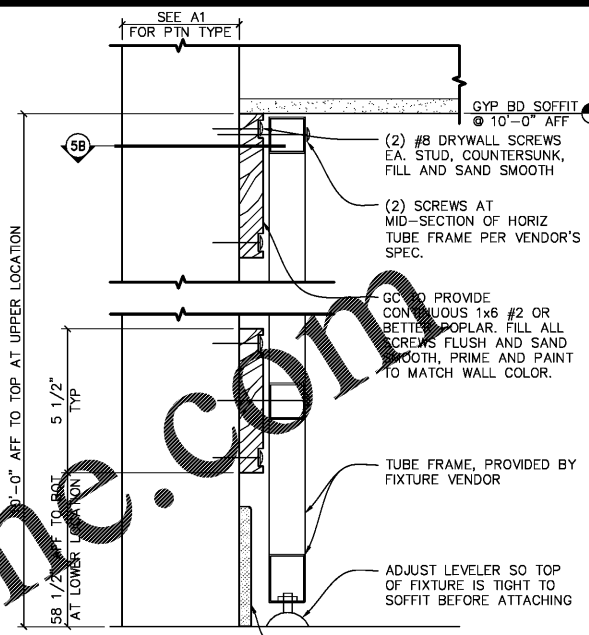
4 FITTING ALCOVE ELEVATION
SCALE 1/4" = 1' = 0"



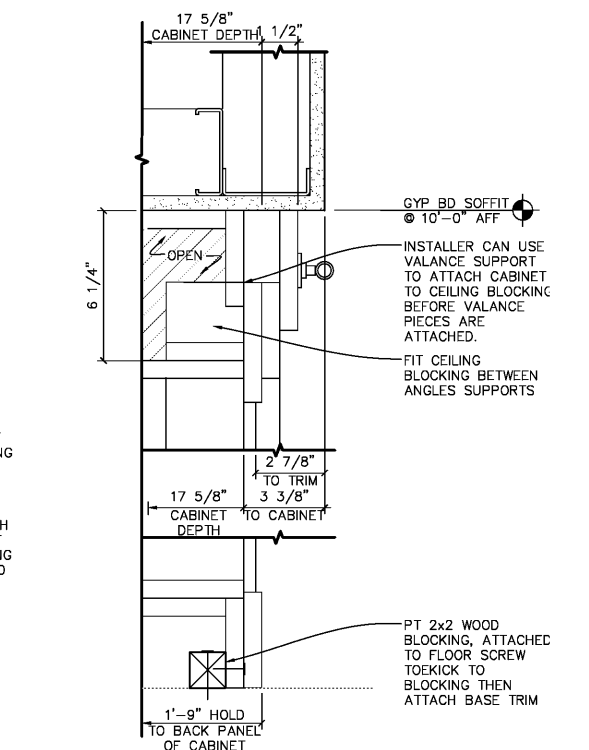
5 FITTING ALCOVE ELEVATION
A5.1 SCALE 1/4" = 1' = 0"



7 METAL BLOCKING DETAIL
A5.1 SCALE 1 1/2" = 1' = 0"



6 METAL WALL CASE DETAILS
A5.1 SCALE 3" = 1' = 0"



8 WALL CASE BLOCKING
A5.1 SCALE 3" = 1' = 0"

PATRICK G. BLEES
architecture · planning · interior design
PATRICK G. BLEES ARCHITECT, PLLC
800 WASHINGTON AVE. N., SUITE 208
MINNEAPOLIS, MN 55401-1330
PHONE: (612) 547-1300
FAX: (612) 547-1301
CONTACT: ELYV B. CLEARY
ecleary@pmarch.com

PATRICK G. BLEES, ARCHITECT
DATE ISSUED 04/03/19
REG. NO. AR93439

LUCKY*BRAND
DANIA
POINTE
1763 POINTE BLVD
DANIA BEACH, FL
33004
SPACE #M115
SPECIALTY

SHEET TITLE:
ENLARGED PLAN AND
INTERIOR ELEVATIONS
FITTING ALCOVE
REVISIONS:
ORIGINAL ISSUE: 01.17.19
NO: 1 DATE: 04/03/19 BY: BLDG
PROJECT NO: 18028.008
DRAWN BY: LNC

A5.1