

LIGHT FIXTURE / ACCESSORY SCHEDULE

TAG	SYMBOL	DESCRIPTION	FIXTURE MODEL #	LAMP MODEL #	WATT	FINISH	MOUNT	EXG	RELO	NEW	TAG	SYMBOL	DESCRIPTION	FIXTURE MODEL #	LAMP MODEL #	WATT	FINISH	MOUNT	EXG	RELO	NEW	
A6	⊕	PENDANT - DRUM	164-LBS MAX WEIGHT. PROVIDED BY TENANT. GC TO INSTALL.		60 MAX		BOT @ 7'-0" AFF				CM	⊕	CHIME	'THOMAS & BETTS' - CARLON DH924, 4" WIRED CHROME BELL			WHITE	SURFACE				1
A7	⊙	PENDANT, SUPPLIED BY TENANT, INSTALLED BY GC	'BRIKK' BY HOUZZ ID# 104578493 - BANGOR CEMENT #12" W/ 59" CORD/BLACK METAL CHAIN	LED A19	14.7, 2700K	CEMENT	BOT @ 7'-0" AFF			3	D2	⎯	TRACK LIGHT W/ 25" TRACK HEAD	'CONTECH' - 120V TRACK LIGHTING PAR38 GIMBAL RING TRACK HEAD #CTL2838N-P; LT--P TRACK	17W LED INCLUDED, 3000K	17	WHITE	SUSPEND, T.O TRACK @ 11'-0" AFF, UON,				420
F1	⊠	2x2 FLUOR	'TEXAS LIGHT' - LOW PROFILE CENTER BASKET SHUC/PF/2/24/MV	T5HO		WHITE	BOT @ 12'-0" AFF, UON			2	E	✉	EXIT/EMERGENCY LIGHT	'EXITRONIX' - ILLUMINEX ILX, WITH ARROW AS INDICATED	LED		BLACK AT STOREFRONT, WHITE TYP	BOT @ 8'-0" AFF, UON				4
A8	⊕	PENDANT	'EQ GALAXY PENDANT 16								E3	⊞	3-HEADS DOWNLIGHT	'SOLAIS' - XFR13/XM24/25/30K-1600/WH	LED - INCLUDED	20	WHITE	RECESSED				2
A9	⊕	PENDANT	'CIRCA LIGHTING' - SCHOOL HOUSE DIAMOND #SL4135-CIR	9.5A19/LED/B27-22DIM120V-45582-4	9.5	BRONZE/WHITE	UNISTRUT-MOUNTED				E4	⊞	4-HEADS DOWNLIGHT	'SOLAIS' - XFR14/XM24/25/30K-1600/WH	LED - INCLUDED	20	WHITE	RECESSED				2
A10	⊕	PENDANT	'VISUAL COMFORT' - EUGENE #TOB-5013BZ								F2	⎯	T8-48" STRIP LIGHT	'TEXAS LIGHT' - #C232MV/C48WG/GT310	F032/830/ECO-21777	64	WHITE	SUSPEND, BOT OF LIGHT @ 12'-0" AFF, UON				13
A11	⊕	PENDANT	'KARRY YOU HOME' #006651	LED INCLUDED			BOT @ 7'-0" AFF				G3	⊕	WALL SCONCE	'NUVO' - #60-4804	LED G25 GLOBE		BRONZE					7
A12	⊕	PENDANT	'SEAGULL LIGHTING' - #14" #6024EN-15 W/ 54" CORD	LED - INCLUDED	10	WHITE	BOT @ 8'-0" AFF			12	SP	⊙	SPEAKER					MOUNT AT @ 13'-0" AFF				8
F3	⎯	T8 - NARROW 48" STRIP LIGHT	'ORACLE LIGHTING' - 4-OCN-1-32-T8, EMG FOR EMERGENCY TYPE	T8	32	WHITE	FLUSH AT GYP			7	ST	ST	SHOPPERTRAK					CENTER ABOVE ENTRY DOORS				1
F4	⎯	T8 - NARROW 48" STRIP LIGHT	'ORACLE LIGHTING' - 4-OCN-1-32-T8, EMG FOR EMERGENCY TYPE	T8	32	WHITE	FLUSH AT GYP			7	EM	⎯	EMERGENCY LIGHT W/ BATTERY BACK-UP	'ISOLITE' - MGN-25-LC-UN	LED	50	WHITE	WALL OR 14'-0" AFF				10
B1	⊗	CEILING FAN	'MODERN FANS' - #LAP-BN-52-NK-NL-NC			BRIGHT NICKEL	BOT @ 10'-0" AFF				J	⊞	EXHAUST FAN	'GREENHECK' #SPB-110		150	GALV STEEL	RECESSED				2
B4	⊕	6" DOWNLIGHT	'CONTECH' - #RF6L130KCG-WHT (CTC)								B4	⊕	6" DOWNLIGHT	'CONTECH' - #RF6L130KCG-WHT (CTC)	1000 LUMEN LED RETROFIT MODULE 3000K GU24	15	WHITE	RECESSED				1

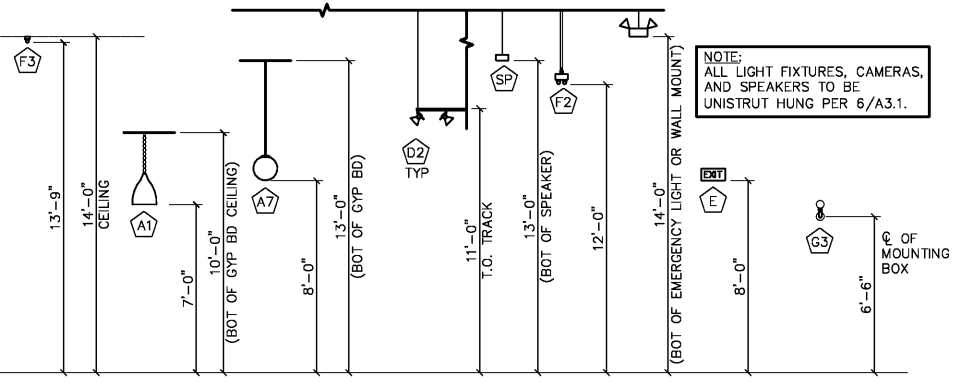
NOTES:
 1. ALL FIXTURES THAT ARE EXG TO REMAIN ARE TO BE CLEANED TO "LIKE-NEW" AND RELAMPED BY GC. GC TO REBALLAST FIXTURES ONLY AS REQ.
 2. ALL STOREFRONT LIGHTS AND SIGNAGE ARE TO BE ON A 24-HR TIMER SET BY GC. COORDINATE REQ HOURS WITH LANDLORD.
 3. LIGHTING VENDOR IS RESPONSIBLE FOR VERIFYING CORRECT NUMBER OF FIXTURES/LAMPS REQ.

SECURITY CAMERA SCHEDULE

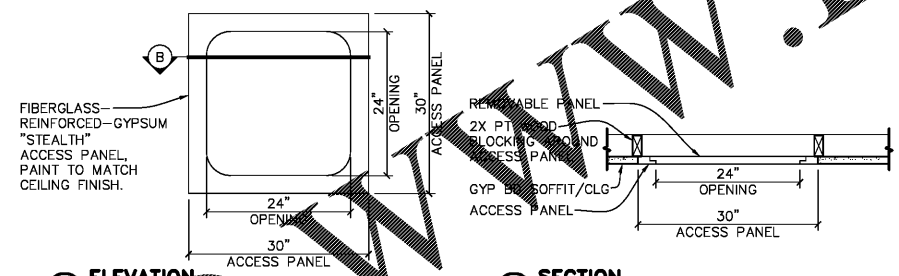
#	LOCATION	MOUNTING HEIGHT	TYPE
1	STOCKROOM	12'-0" AFF	FIXED/WALL MTD
2	STOCKROOM	13'-0" AFF	360/PENDANT
3	SALES	11'-0" AFF	FIXED/WALL MTD
4	SALES	13'-0" AFF	360/PENDANT

NOTE:
 1. WALL MOUNTED: PROVIDE CONDUIT PULL STRING IN WALL.
 2. PENDANT: PROVIDE UNISTRUT ABOVE AND DROP DOWN CONDUIT WITH BOX TO MOUNT CAMERA.

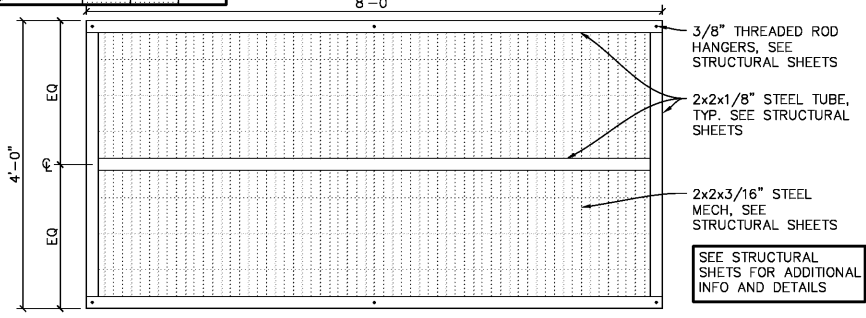
PATRICK G. BLEES
 architecture · planning · interior design
 PATRICK G. BLEES ARCHITECT, PLLC
 800 WASHINGTON AVE. N., SUITE 208
 MINNEAPOLIS, MN 55401-1330
 PHONE: (612) 547-1300
 FAX: (612) 547-1301
 CONTACT: ELYV B. CLEARY
 ecleary@pmarch.com



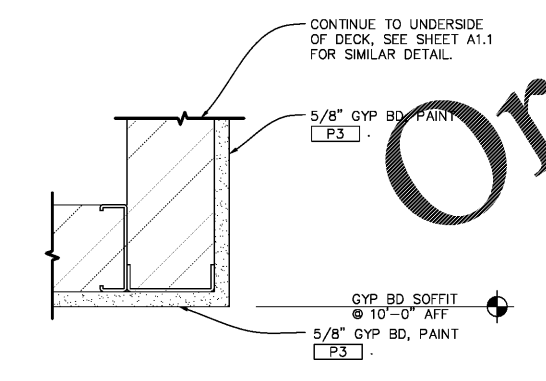
1 LIGHT FIXTURES MOUNTING HEIGHTS
 A3.1 SCALE 1/4" = 1'-0"



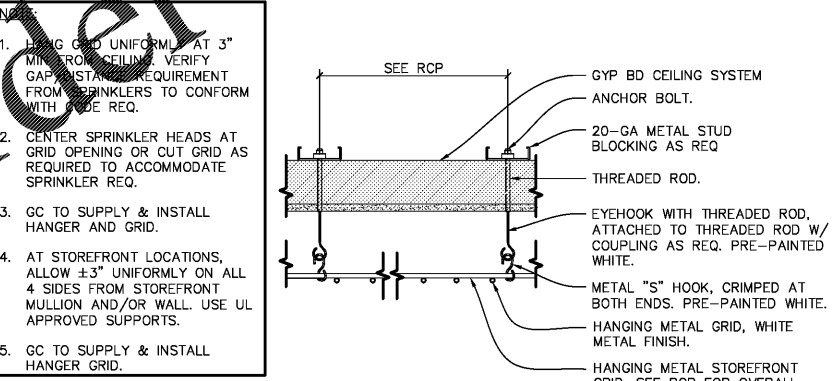
2 ACCESS PANEL
 A3.1 SCALE 3/4" = 1'-0"



3 PLAN AT CEILING GRID ABOVE PLATFORM
 A3.1 SCALE 3/4" = 1'-0"

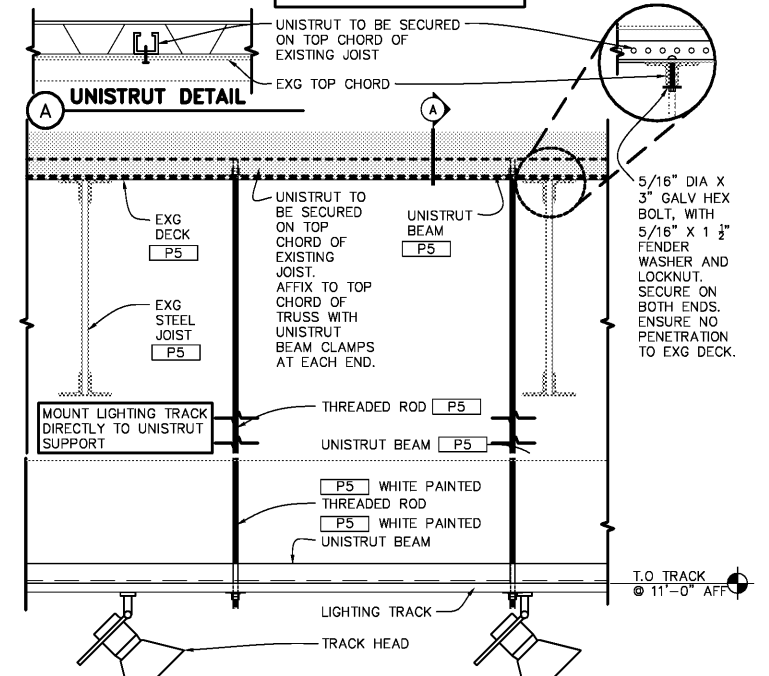


4 SOFFIT DETAILS AT CEILING
 A3.1 SCALE 3" = 1'-0"



5 STOREFRONT DISPLAY GRID DETAILS
 A3.1 SCALE 1 1/2" = 1'-0"

6 NOT USED
 A3.1 SCALE 3" = 1'-0"



7 TRACK LIGHT MOUNTING DETAIL
 A3.1 SCALE 1 1/2" = 1'-0"

Order Plans

SEAL:

PATRICK G. BLEES, ARCHITECT
 04/03/19
 DATE ISSUED
 AR93439
 REG. NO.

LUCKY*BRAND
 DANIA POINTE
 1763 POINTE BLVD
 DANIA BEACH, FL 33004
 SPACE #M115
 SPECIALTY

SHEET TITLE:
 REFLECTED CEILING SCHEDULES AND DETAILS
 REVISIONS:
 ORIGINAL ISSUE: 01.17.19
 NO: 1 DATE: 04/03/19 BY: BLDG

PROJECT NO: 18028.008
 DRAWN BY: MGM

A3.1