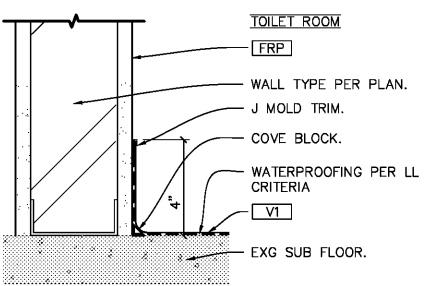
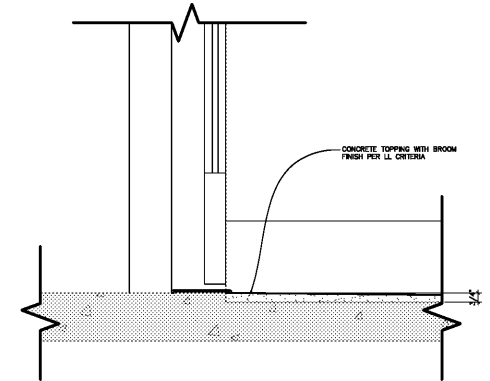


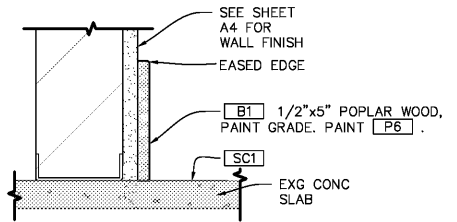
1 WALL CONNECTION AT SLAB
 A1.1 SCALE 3" = 1'-0"



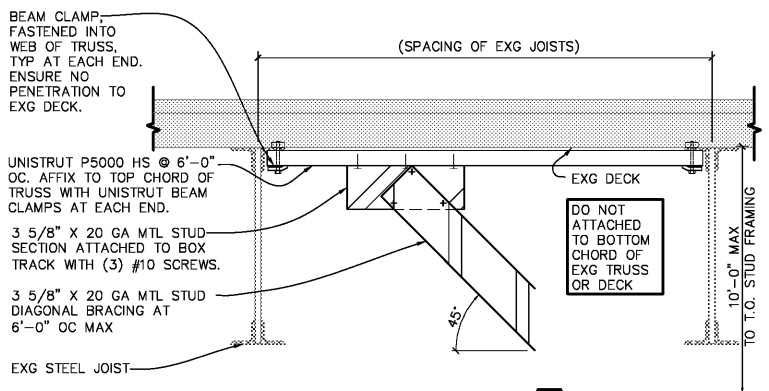
5 COVED VINYL BASE
 A1.1 SCALE 3" = 1'-0"



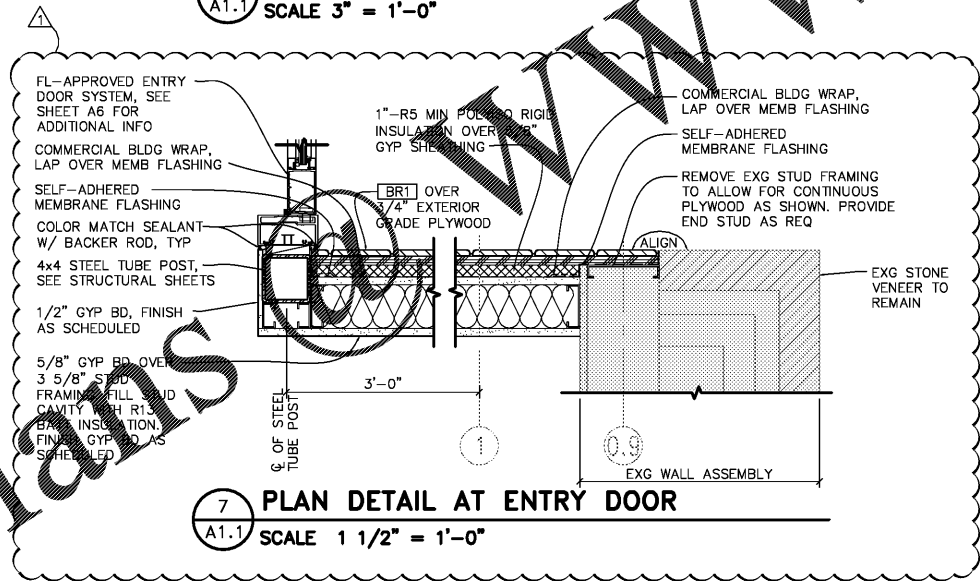
2 SILL DETAIL AT ENTRY DOORS
 A1.1 SCALE 1 1/2" = 1'-0"



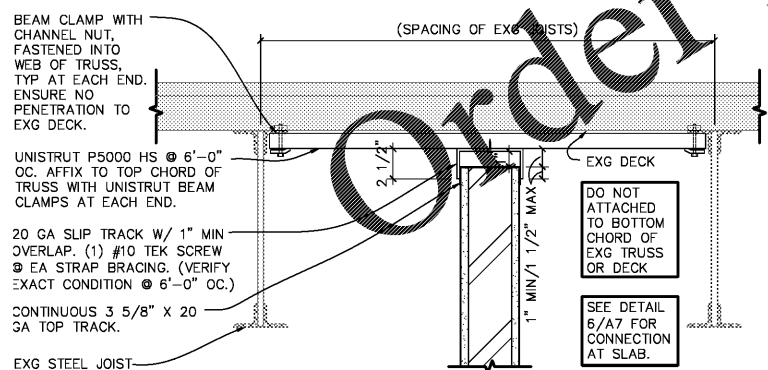
6 TRIM DETAIL AT WALL BASE
 A1.1 SCALE 3" = 1'-0"



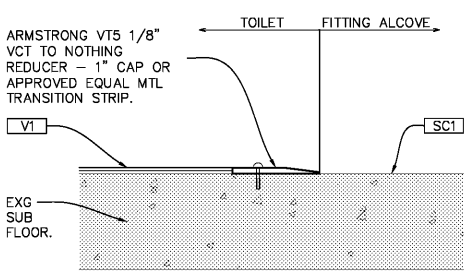
3 DIAGONAL BRACING CONNECTION
 A1.1 SCALE 1 1/2" = 1'-0"



7 PLAN DETAIL AT ENTRY DOOR
 A1.1 SCALE 1 1/2" = 1'-0"



4 INT PTN AT DECK CONNECTION
 A1.1 SCALE 1 1/2" = 1'-0"



8 VCT TO CONCRETE
 A1.1 SCALE 6" = 1'-0"

Order Plans

WWW.LDILine.com

SEAL:

PATRICK G. BLEES, ARCHITECT

04/03/19
 DATE ISSUED
 AR93439
 REG. NO.

LUCKY BRAND

DANIA
 POINTE

1763 POINTE BLVD
 DANIA BEACH, FL
 33004

SPACE #M115

SPECIALTY

SHEET TITLE:
 PARTITION SCHEDULE
 AND DETAILS

REVISIONS:
 ORIGINAL ISSUE: 01.17.19
 NO: 1 DATE: 04/03/19 BY: BLDG

Δ	04.03.19	BLDG

PROJECT NO: 18028.008
 DRAWN BY: MGM/LNC/EBC

A1.1

COPYRIGHT PATRICK G. BLEES AIA, PLLC 2019