

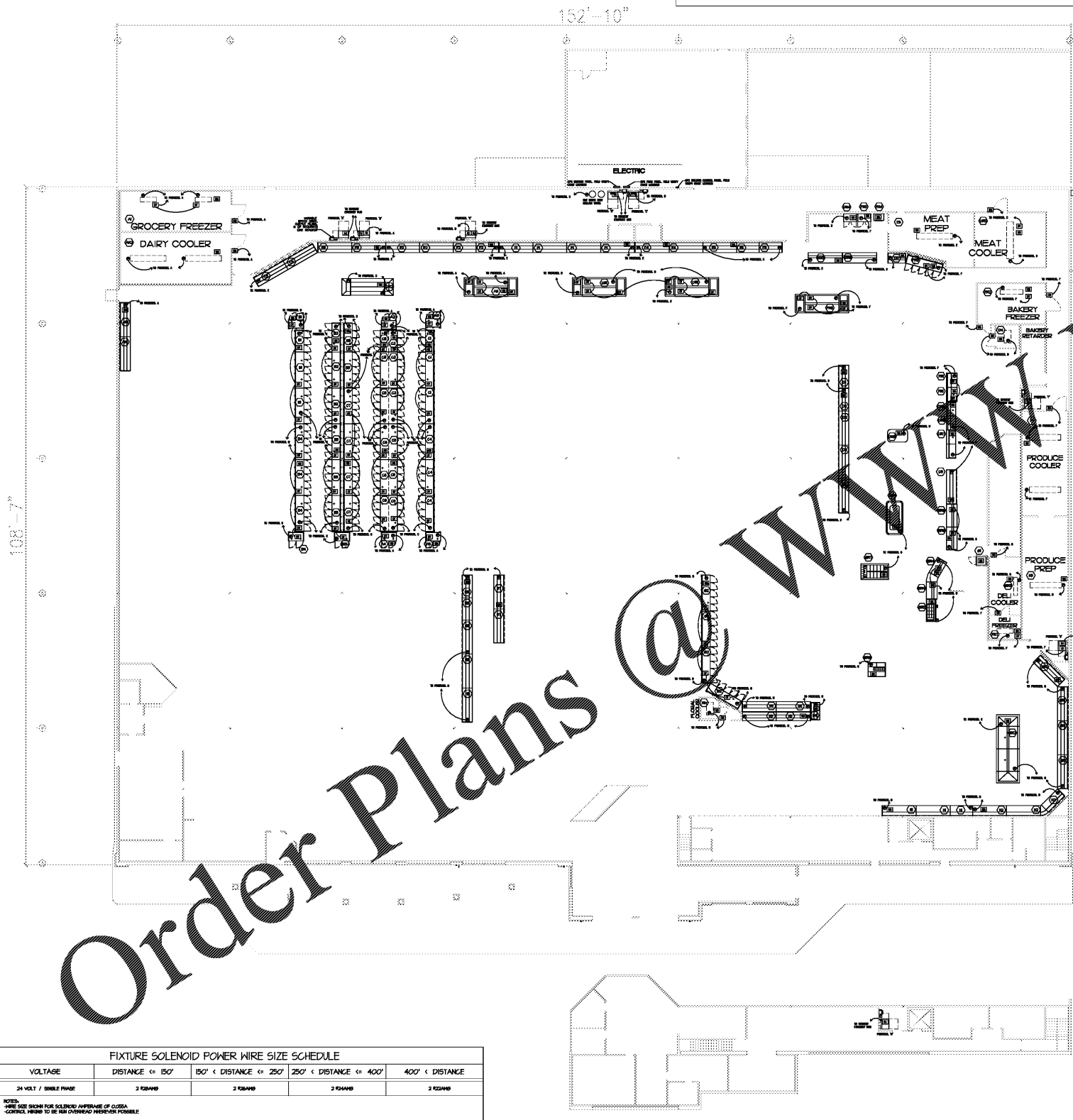
SYMBOL	DESCRIPTION
○	REFRIGERATION CIRCUIT TERMINATION
□	COOLER/REFREEZER TERMINATION
○	ANALOG TEMPERATURE SENSOR
□	DOOR SWITCH
□	POTENTIAL REFRIGERANT SENSOR
□	CONNECT JACK
□	SECTION SHOP SKETCH

1. FIELD LINES ARE FOR FIELD LAYOUT. FIELD LAYOUT SHALL BE DETERMINED BY THE FIELD LAYOUT CONTRACTOR.
2. REFER TO OTHER DRAWINGS FOR ALL FIELD LAYOUT LOCATIONS.

ANALOG TEMPERATURE SENSOR GUIDELINES

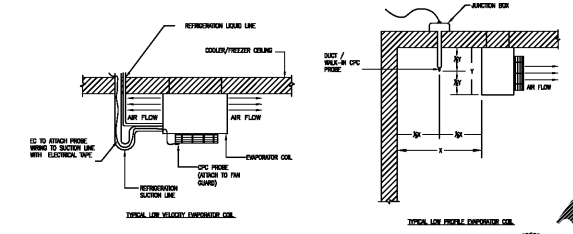
APPLICATION:

- COOLERS/FREEZERS/REF. AREAS
ONE SENSOR PER COOLING COIL. LOCATE IN THE COILS RETURN AIRFLOW.
 - CASES
ONE SENSOR PER EVERY TWO CASES, WIDE ISLAND END CAPS TO BE CONSIDERED CASES. SENSORS TO BE LOCATED IN THOSE CASES MOST LIKELY TO EXPERIENCE THE GREATEST LOAD. (CASES AT END OF LINE UPS OR NEAR DOORS TO VESTIBULE, BACKROOM OR PREP AREA)
 - MISCELLANEOUS EQUIPMENT (FREE STANDING FREEZERS, REFRIGERATORS ETC.)
ONE SENSOR PER ITEM
ICE MACHINES AND BLAST CHILLERS DO NOT REQUIRE TEMPERATURE SENSORS.
- EXCEPTIONS TO ABOVE RULES:
IF CIRCUIT CONSISTS OF DISSIMILAR CASE MODELS, PROVIDE A MINIMUM OF ONE SENSOR PER MODEL TYPE.
EACH GLASS DOOR END CAP TO BE PROVIDED WITH A SENSOR. ANY OTHER GLASS DOOR CASES ON CIRCUITS TO BE CONSIDERED INDEPENDENTLY.
IF ALL CASES ON A CIRCUIT ARE NOT ADJOINING, PROVIDE A MINIMUM OF ONE SENSOR PER CONTIGUOUS SECTION.

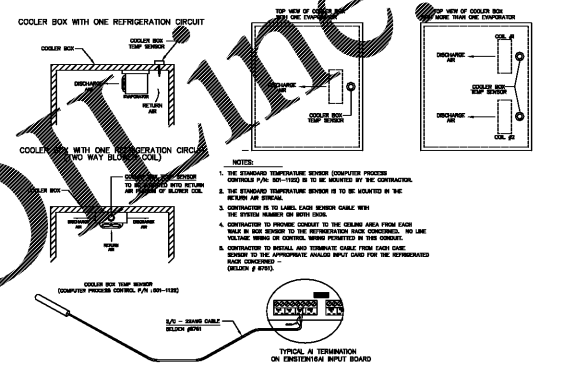


VOLTAGE	DISTANCE < 150'	150' < DISTANCE < 250'	250' < DISTANCE < 400'	400' < DISTANCE
24 VOLT / SINGLE PHASE	2 #12AWG	2 #10AWG	2 #8AWG	2 #6AWG

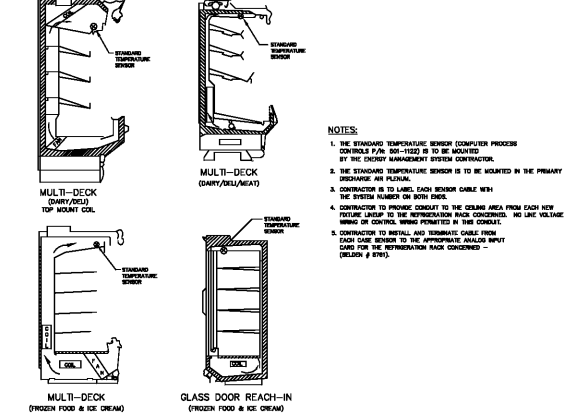
NOTES:
1. WIRE SIZE SHOWN FOR COLD/DRY AMBIENT OF CASES.
2. CHECK WIRE TO BE RUN OVERHEAD NEVER UNDER FLOOR.



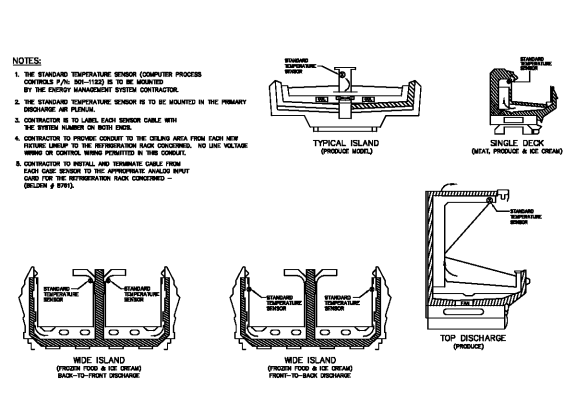
2. EINSTEIN CONTROL SYSTEM -- BOX PROBE MOUNTING DETAIL SCALE: NONE



3. EINSTEIN CONTROL SYSTEM -- SENSOR INSTALLATION - COOLER BOX SCALE: NONE

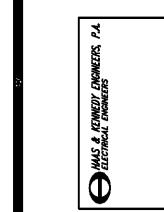


4. EINSTEIN CONTROL SYSTEM -- CASE SENSOR LOCATIONS (MULTI-DECK) SCALE: NONE



5. EINSTEIN CONTROL SYSTEM -- CASE SENSOR LOCATIONS (SINGLE-DECK) SCALE: NONE

THIS SHEET FOR REFERENCE ONLY
SEE PLANS FOR REQUIREMENTS SPECIFIC TO THIS PROJECT



CONSULTANT

A REMODEL FOR:
KROGER GA-214
3139 US HWY 278, N.E.
COVINGTON, GA

PROJECT: KROGER ATLANTA
DATE: 04-01-2019
CONSTRUCTION SET

CPC CONTROLS
INSTALLATION
TEMPLATE

NO.	DATE	DESCRIPTION

PROJECT NO: 19085
C/DWG FILE: GA-214EM2
DRAWN BY: WSM
CHK'D BY: HCK

EM2
SHEET NO.