



CONSULTANT

A REMODEL FOR:  
**KROGER GA-214**  
3139 US HWY 278, N.E.  
COVINGTON, GA

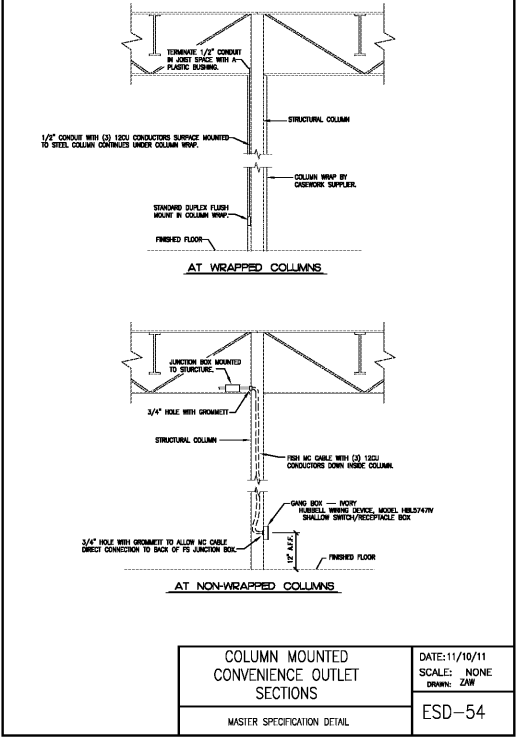
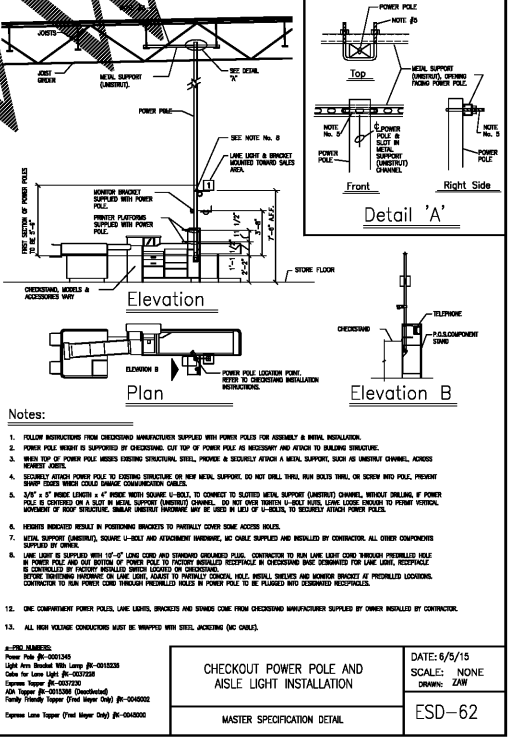
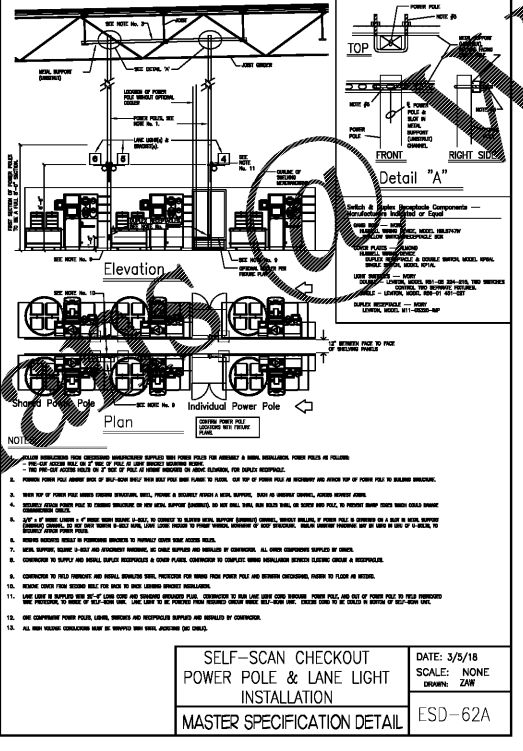
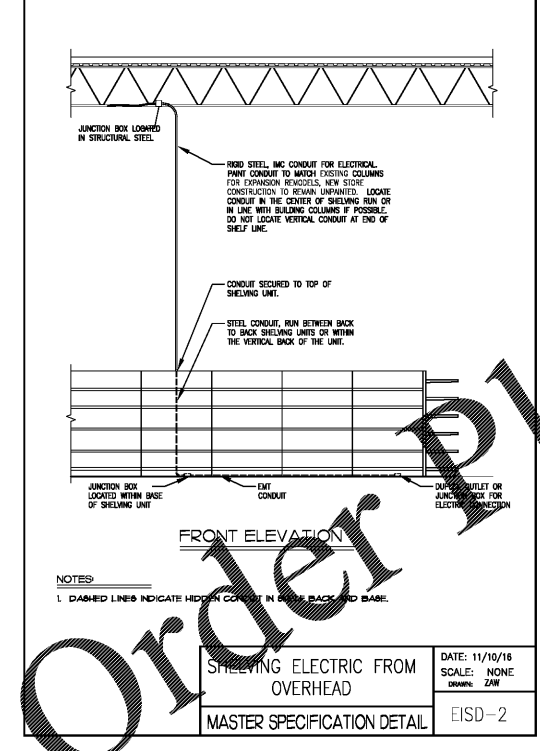
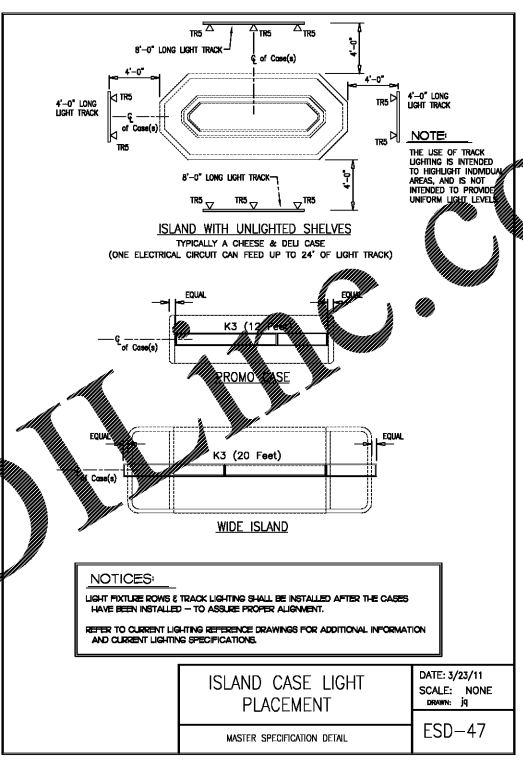
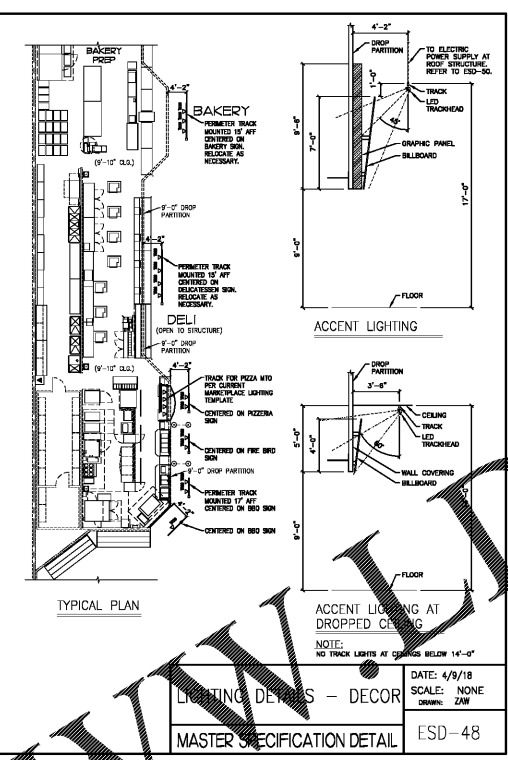
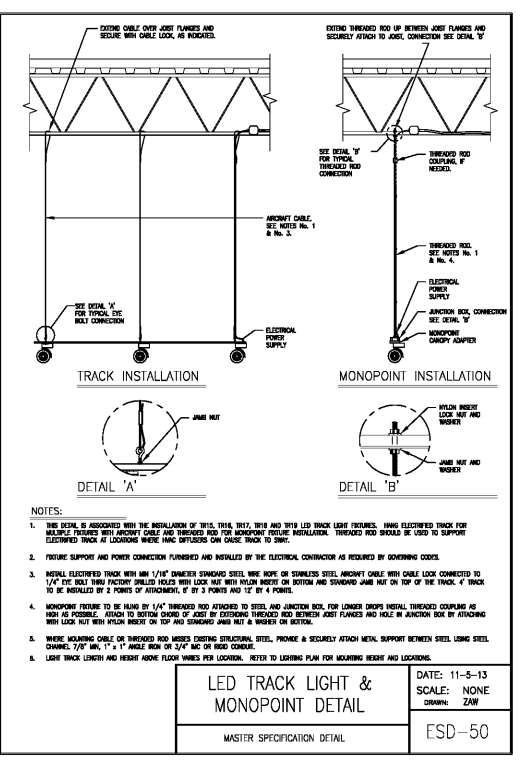
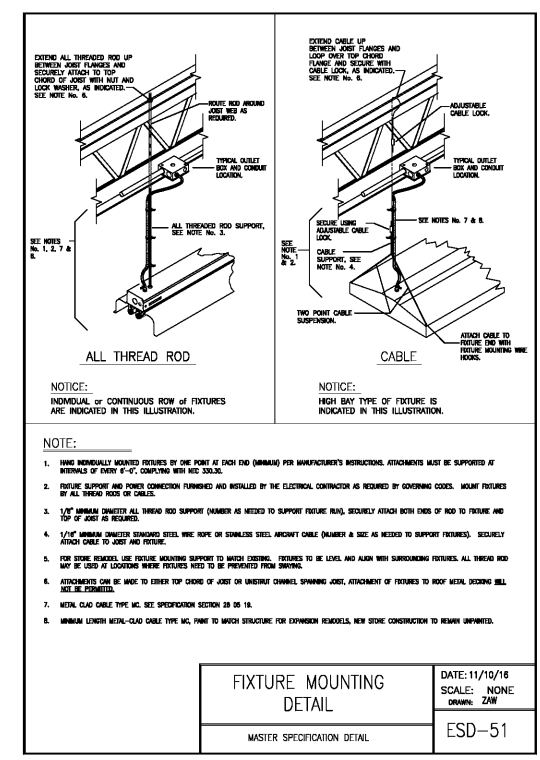
PROJECT: KROGER ATLANTA  
DATE: 04-01-2019  
CONSTRUCTION SET

**ELECTRICAL STANDARD DETAILS (ESD)**

REVISIONS

PROJECT NO: 19085  
C/DWG FILE: GA-214ES.1.1  
DRAWN BY: WSM  
CHK'D BY: HCK

**E5.11**  
SHEET NO.



Order Plus

Order Plus

Order Plus

Order Plus