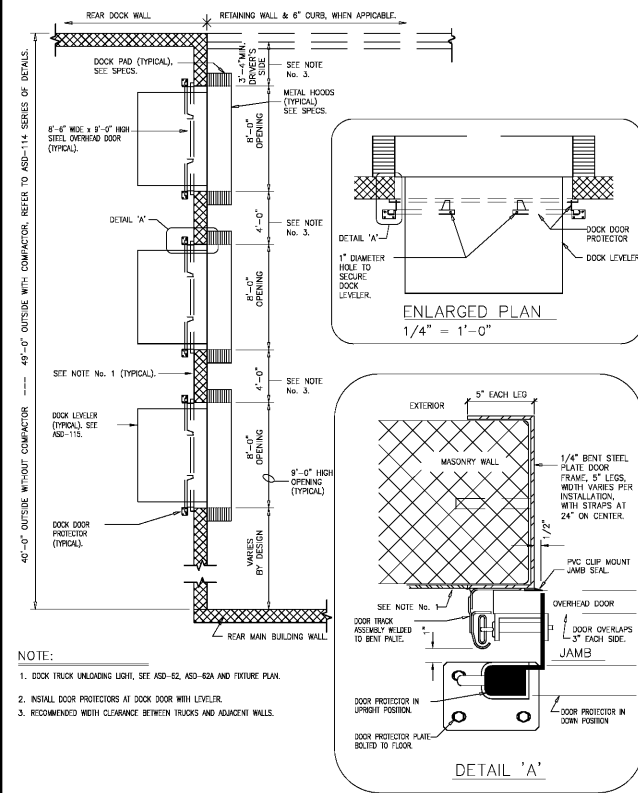


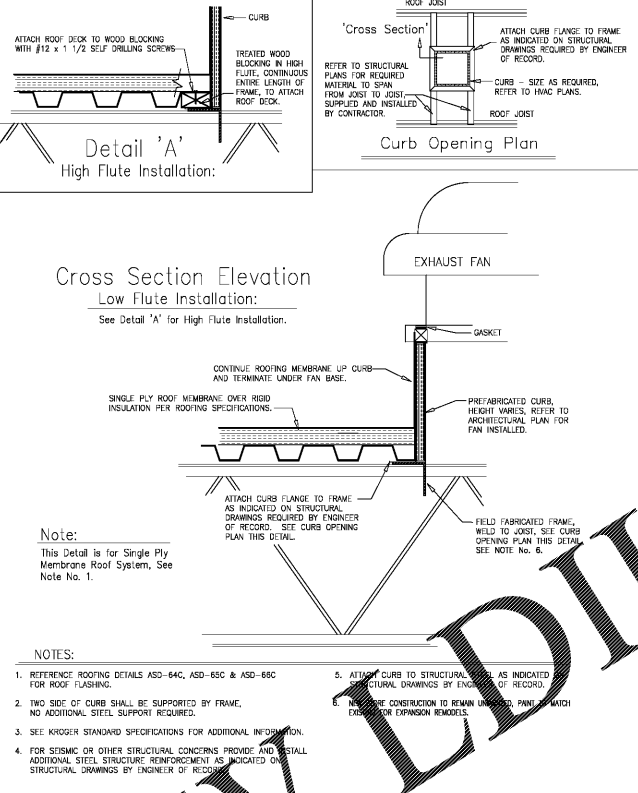
**NOTES:**

- DESIGNED FOR USE WITH GLASS DOOR END CASES. CASE CORNER GUARD. REFER TO SECTION 11 41 13 PARAGRAPHS 2.2 & 2.3 GENERAL STORE FIXTURE INSTALLATION IN SPECIFICATIONS. REFER TO FIXTURE PLAN FOR QUANTITY AND LOCATIONS.
- CASE CORNER GUARD TO BE INSTALLED AFTER CASE HAS BEEN SET. INSTALL CASE GUARD AS CLOSE TO CASE AS POSSIBLE PER MANUFACTURER'S INSTALLATION INSTRUCTIONS.

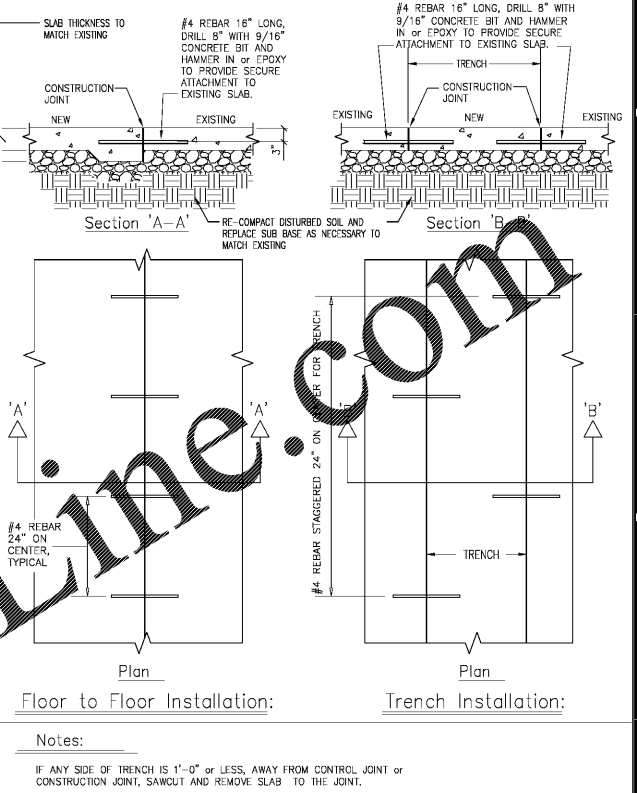
GLASS DOOR END CASE CORNER GUARD	DATE: 6/5/15 SCALE: NONE DRAWN: ZAW
MASTER SPECIFICATION DETAIL	ASD-160A



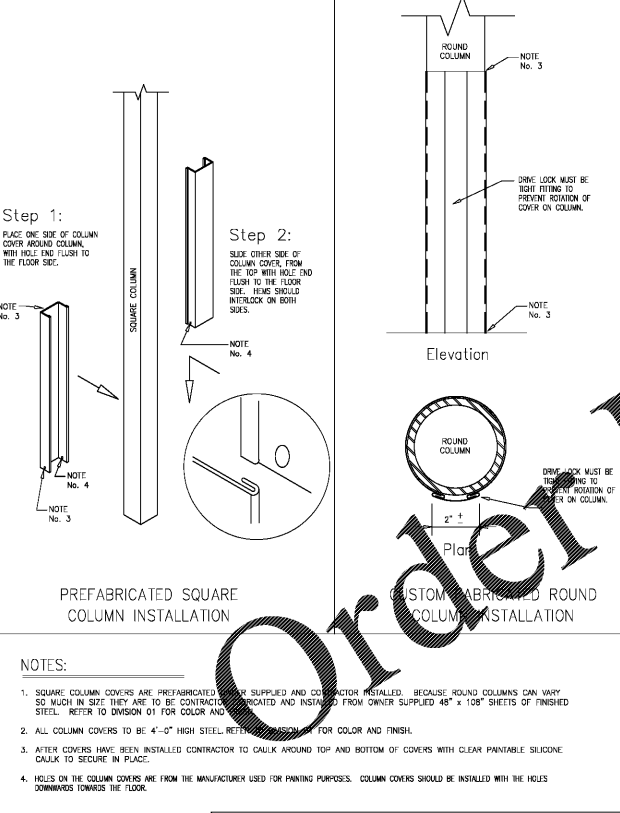
DOCK DOORS INSTALLATION	DATE: 1/30/15 SCALE: NONE DRAWN: ZAW
MASTER SPECIFICATION DETAIL	ASD-152



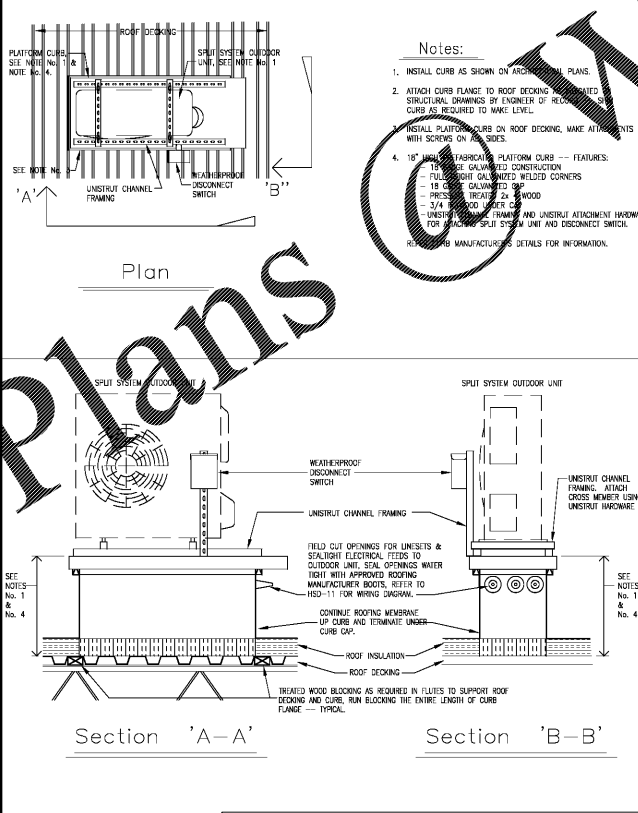
PREFABRICATED FAN CURB	DATE: 11/10/16 SCALE: NONE DRAWN: ZAW
MASTER SPECIFICATION DETAIL	ASD-88



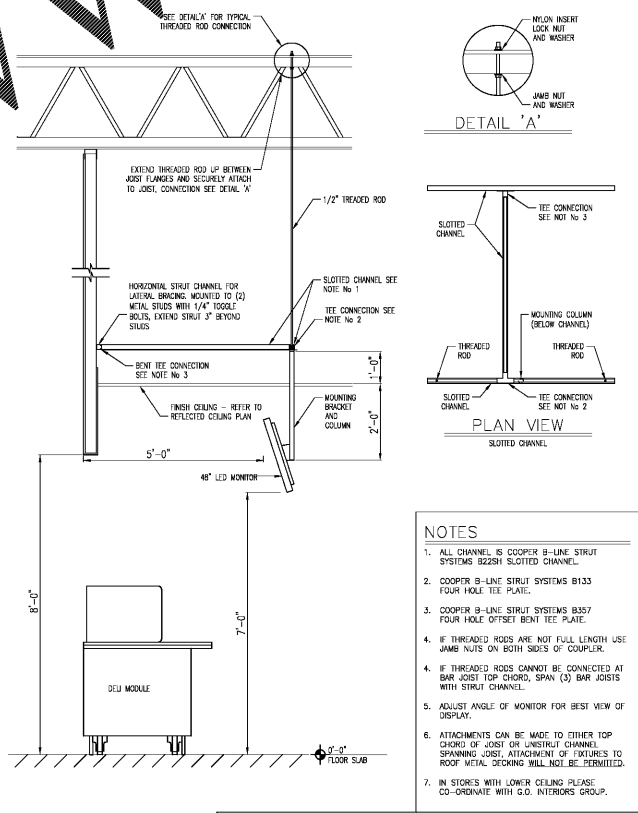
CONCRETE FLOOR REPLACEMENT AT EXISTING SLAB	DATE: 11/10/11 SCALE: NONE DRAWN: ZAW
MASTER SPECIFICATION DETAIL	ASD-69



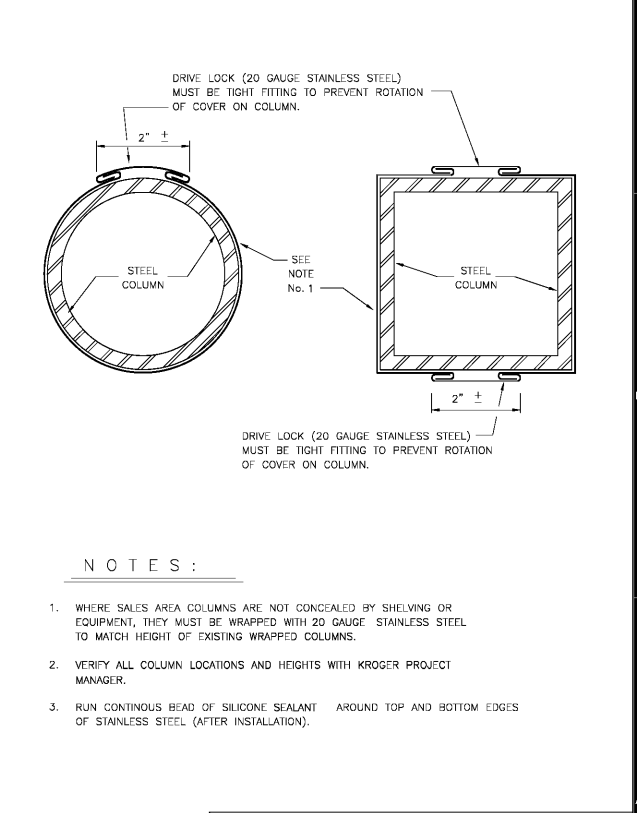
PREFABRICATED COLUMN COVERS	DATE: 11/5/13 SCALE: NONE DRAWN: ZAW
MASTER SPECIFICATION DETAIL	ASD-157



PREFABRICATED NON-STRUCTURAL PLATFORM CURB	DATE: 1/22/18 SCALE: NONE DRAWN: ZAW
MASTER SPECIFICATION DETAIL	ASD-89



DELI MONITOR MOUNTING (8FT. DROP PARTITION)	DATE: 11/29/17 SCALE: NONE DRAWN: TAW
MASTER SPECIFICATION DETAIL	ASD-72A



S.S. COLUMN COVERING DETAIL	DATE: 11/10/11 SCALE: NONE DRAWN: ZAW
MASTER SPECIFICATION DETAIL	ASD-63

**CAPSTONE**  
project services, inc.  
2211 WIDMAN WAY, STE. #220  
FORT MYERS, FL. 33901

STATE OF GEORGIA  
JOHN MARK HUGHES  
REGISTERED ARCHITECT  
4-3-2019

**CAPSTONE PROJECT SERVICES, PLC**  
ARCHITECTURAL & CONSTRUCTION SERVICES  
OFFICE LOCATIONS: ROANOKE, VA & FT. MYERS, FL.

A REMODEL FOR:

**KROGER GA-214**  
3139 US HWY 278, N.E. COVINGTON, GA

KROGER ATLANTA  
04-01-2019  
CONSTRUCTION SET

**KROGER STANDARD DETAILS**

REVISIONS

NO.	DATE	DESCRIPTION

PROJECT NO: CPS2019-017.4  
CAD DWG FILE: CPS2019-017.4-AS.2  
DRAWN BY: MRL  
CHK'D BY: JMI

**A5.2**