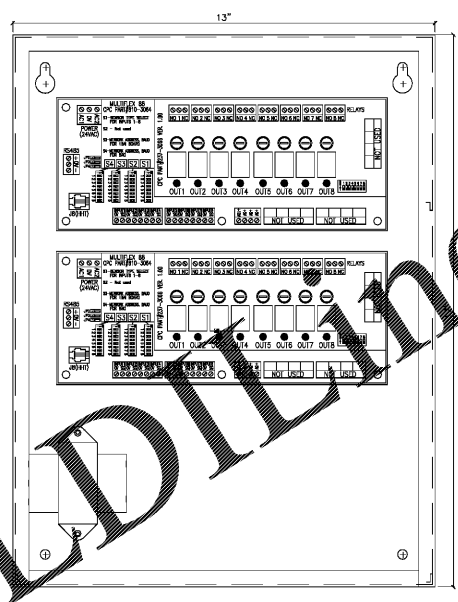


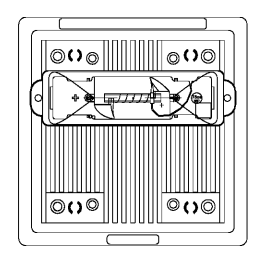
1 REFRIGERANT LEAK DETECTION UNIT - HGM MZ

- NOTE:
1. INSTALL ENCLOSURE ON A VIBRATION FREE SURFACE. MARK HOLE LOCATIONS. USE APPROPRIATE HARDWARE FOR MOUNTING TO STRUCTURE.
  2. FOLLOW ALL NATIONAL AND LOCAL ELECTRICAL CODES WHEN INSTALLING.
  3. WHEN INSERTING WIRING, BE SURE HIGH AND LOW VOLTAGE ARE KEEP ISOLATED.
  4. ALL REMOVED KNOCKOUTS MUST HAVE CONDUIT FITTINGS INSTALLED.

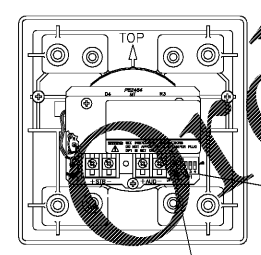
- REFRIGERANT LEAK DETECTION CONTROL PANEL:
- ONE (1) ENCLOSURE (INSTALLER SUPPLIED & MOUNTED)
  - CPC POWER SUPPLY (INSTALLER MOUNTED)
  - TWO (2) BA1/BR0 COMBO BOARD (INSTALLER MOUNTED)



2 CONTROL SYSTEM - LEAK DETECTION CONTROL PANEL



COOPER MITWPB-2475W-NW

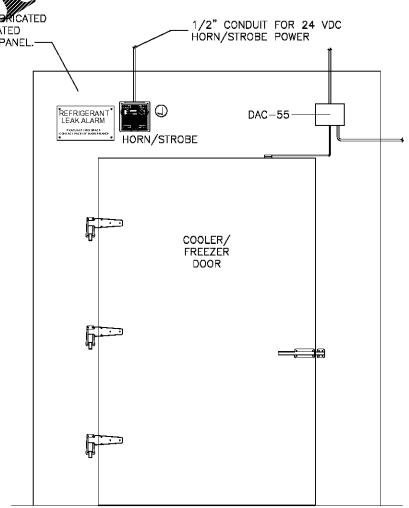


- NOTES:
1. HORN & STROBE CONTACTS CONTROLLED BY SAME RELAY POINT.
  2. DP 1 SET TO 24 VDC.
  3. SW1 SET TO DOWN.
  4. SW2 SET TO UP.
  5. SW3 SET TO UP.
  6. SW4 SET TO UP.

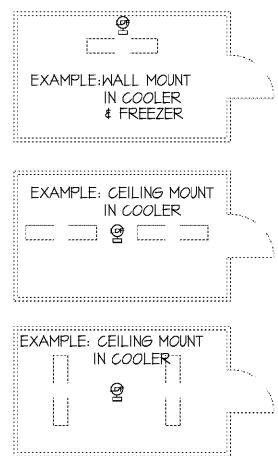
3 CONTROL SYSTEM - REFRIGERANT LEAK HORN & STROBE DETAIL

REFRIGERANT LEAK ALARM

EVACUATE PREP AREA CONTACT FACILITY MAINTENANCE

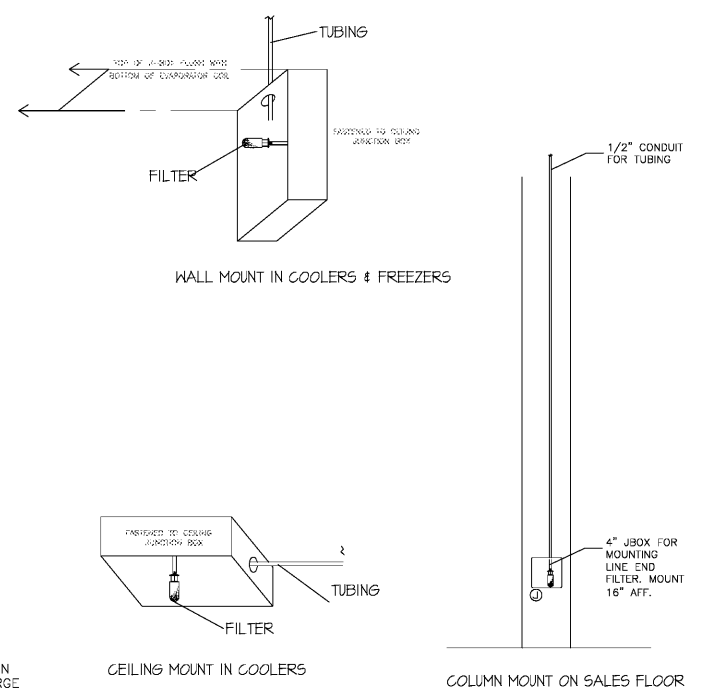


4 CONTROL SYSTEM - REFRIGERANT LEAK HORN/STROBE MOUNTING DETAIL



- NOTE:
- USE SPECIAL WASHDOWN J-BOX (OWNER SUPPLIED) TO MOUNT FILTER END FOR ZONES IN PREP AREAS, DAIRY COOLER AND OUTDOOR PURGE ZONE.
  - WHERE DAMAGE TO FILTER END MAY OCCUR, REMOVE THE J-BOX KNOCKOUTS AND INSTALL COVERPLATE.
  - FREEZERS TO UTILIZE WALL MOUNT LOCATION.
  - COOLERS AND PREP ROOMS TO UTILIZE WALL MOUNT OR CEILING MOUNT DEPENDING ON COIL CONFIGURATION.
  - SALES FLOOR ZONES TO UTILIZE THE COLUMN MOUNT.

5 CONTROL SYSTEM - REFRIGERANT LEAK DETECTION FILTER MOUNTING / INSTALL DETAIL



INTERPLAN  
ARCHITECTURE  
ENGINEERING  
INTERIOR DESIGN  
PROJECT MANAGEMENT

604 COURTLAND STREET  
SUITE 100  
ORLANDO, FLORIDA 32804  
PH 407.645.9208  
FX 407.629.9124

FOR INFORMATION ONLY

A WITHIN THE WALLS REMODEL FOR:  
**KROGER STORE # 478 - MARIETTA - GA**  
3162 JOHNSON FERRY RD.,  
MARIETTA, GA 30062



NO DATE REVISIONS  
REVISIONS  
PROJECT NO: 2019 0125  
DATE: 03/18/2019

LD2.0  
REFRIGERANT LEAK  
DETECTION DETAILS  
CHECKED: DS DRAWN: VLD

WWW.LDIDLINE.COM