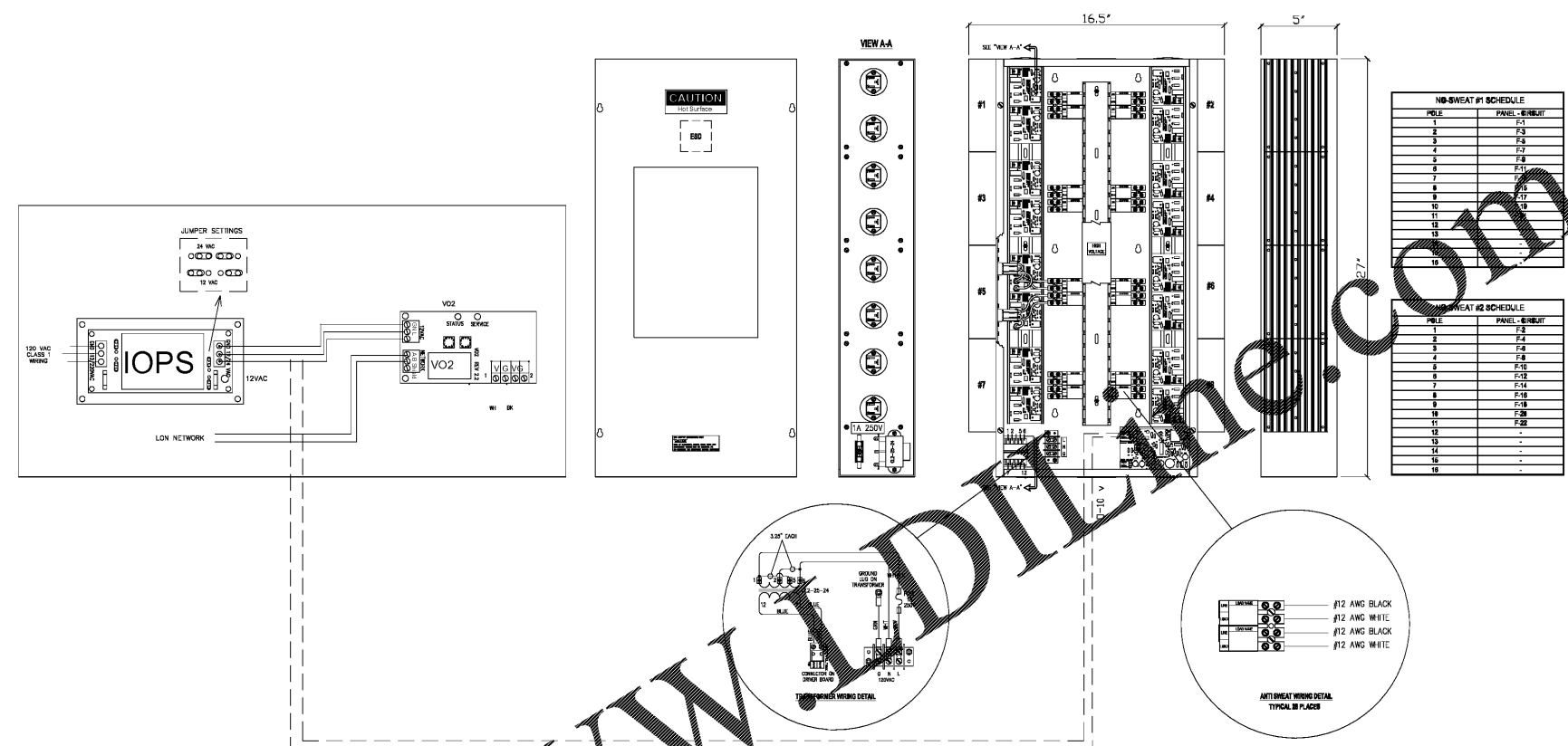


**ATTENTION ENERGY MANAGEMENT CONTRACTOR:**  
 THIS DRAWING REPRESENTS A TYPICAL STORE, AND SERVES AS A TEMPLATE FOR DEVELOPING JOB SPECIFIC DRAWINGS. YOUR DRAWINGS SHALL REFLECT THE DESIGN REQUIREMENTS FOR YOUR SPECIFIC STORE, AND SHALL USE THE LAYOUT ESTABLISHED BY THIS TEMPLATE. USE OF THE TEMPLATE IS NECESSARY TO SUPPORT THE DESIGN AND PROGRAMMING SYSTEMS WITHIN THE KROGER COMPANY. REFER TO EM SERIES SHEETS FOR STORE SPECIFIC CONTROL POINT CONNECTIONS.

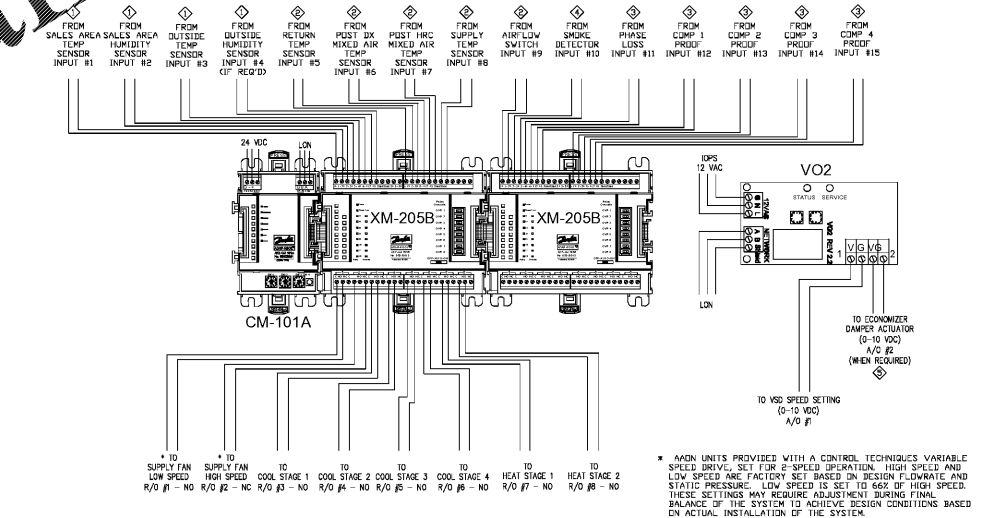
P/N: C20125416 16 CIRCUIT LAYOUT SHOWN FOR REFERENCE (OTHERS AVAILABLE - IN MULTIPLES OF 4)



CONTROL SYSTEM - NO SWEAT DIAGRAM  
 DATE: 09/27/11  
 SCALE: NONE  
 DRAWN: ..  
 EMS-12

NOTE	DESCRIPTION
◆	TO BE PROVIDED BY KROGER AND FIELD INSTALLED BY EMS-C.
◆	TO BE PROVIDED AND FACTORY WIRED BY RTU OEM.
◆	WIRING, INTERCONNECTING WIRING CONNECTIONS BY RTU OEM.
◆	TO BE PROVIDED, INSTALLED AND WIRED BY FIRE ALARM AND/OR HVAC PERSONNEL.
◆	FOR ADDITIONS REQUIRING CO2 SENSOR INPUT; IF NO AVAILABLE POINT TO CONNECT CO2 SENSOR TO DANFOSS BOARD, RUN WIRE TO HVAC EMS CONTROLLER CO2 SENSOR TO BE PROVIDED BY KROGER AND FIELD INSTALLED BY EMS-C.

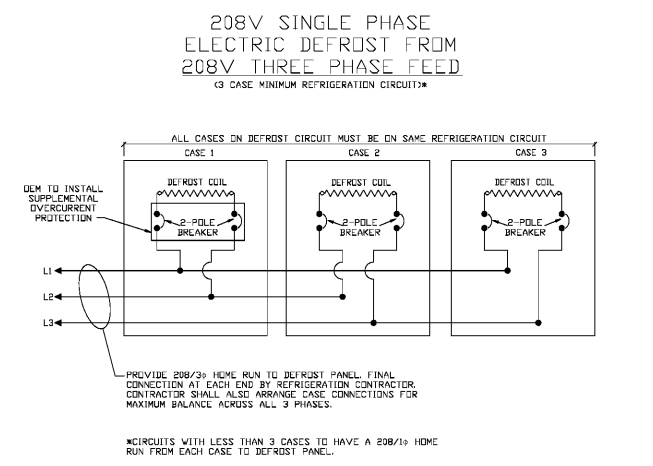
**KROGER ENGINEERING CHANGE NOTICE 06008**  
 RTU'S TO BE PROVIDED WITH THE FOLLOWING BOARDS, UNLESS OTHERWISE INSTRUCTED BY KROGER PROJECT ENGINEER.  
**DEFAULT - NEW STORES**  
 LARGEST RTU: (1) DM-101A, (1) XM-205B AND (1) VO2.  
 SMALLER RTU'S: (1) "A", (1) "B" & (1) "C" DM-101A, (1) XM-205B AND (1) VO2.  
 PHARMACY - KROGER TO SUPPLY AND INSTALL A DANFOSS TEMP ADJUST ZONE SENSOR.  
**DEFAULT - EXPANSIONS/REMODELS**  
 LARGEST RTU'S: (1) DM-101A, (1) XM-205B AND (1) VO2.  
 SMALLER RTU'S: (1) "A", (1) "B" & (1) "C" DM-101A, (1) XM-205B AND (1) VO2.  
 PHARMACY - KROGER TO SUPPLY AND INSTALL A DANFOSS TEMP ADJUST ZONE SENSOR.



**ATTENTION ENERGY MANAGEMENT CONTRACTOR:**  
 THIS DRAWING REPRESENTS A TYPICAL STORE, AND SERVES AS A TEMPLATE FOR DEVELOPING JOB SPECIFIC DRAWINGS. YOUR DRAWINGS SHALL REFLECT THE DESIGN REQUIREMENTS FOR YOUR SPECIFIC STORE, AND SHALL USE THE LAYOUT ESTABLISHED BY THIS TEMPLATE. USE OF THE TEMPLATE IS NECESSARY TO SUPPORT THE DESIGN AND PROGRAMMING SYSTEMS WITHIN THE KROGER COMPANY. REFER TO EM SERIES SHEETS FOR STORE SPECIFIC CONTROL POINT CONNECTIONS.

NOTE: FOR REFERENCE ONLY. SEE SCHEDULES FOR PROJECT SPECIFIC CONNECTIONS.

TYPICAL RTU AK2-XM205B AND VO2 BOARD  
 DATE: 09/27/11  
 SCALE: NONE  
 DRAWN: ..  
 EMS-11



ELECTRIC DEFROST WIRING  
 MASTER INSTALLATION DETAIL  
 DATE: 9-11-09  
 SCALE: NONE  
 DRAWN: SRP  
 RISSD-13

Order Plans @

**INTERPLAN**  
 ARCHITECTURE  
 ENGINEERING  
 INTERIOR DESIGN  
 PROJECT MANAGEMENT

404 COURTLAND STREET  
 SUITE 100  
 ORLANDO, FLORIDA 32804  
 PH: 407.645.3038  
 FX: 407.629.9124

THIS DOCUMENT IS NOT FOR REGULATORY APPROVAL, PERMITTING, OR CONSTRUCTION.

FOR INFORMATION ONLY

A WITHIN THE WALLS REMODEL FOR:  
**KROGER STORE # 478 - MARIETTA - GA**  
 3162 JOHNSON FERRY RD.,  
 MARIETTA, GA 30062



GENERAL OFFICE  
 FACILITY ENGINEERING

NO DATE REVISIONS  
 REVISIONS  
 PROJECT NO: 2019 0125  
 DATE: 03.18.2019

**EM5.2**  
 ENERGY MANAGEMENT  
 DETAILS

CHECKED: DS DRAWN: VLD