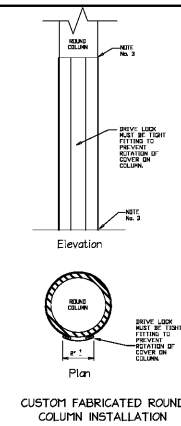


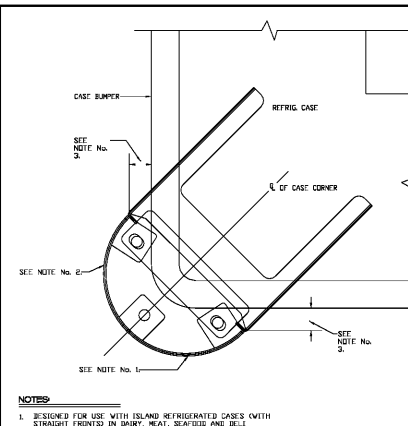
PREFABRICATED SQUARE COLUMN INSTALLATION



CUSTOM FABRICATED ROUND COLUMN INSTALLATION

- NOTES:**
1. SQUARE COLUMN COVERS ARE PREFABRICATED DEVICES SUPPLIED AND INSTALLED BY CONTRACTOR. SQUARE COLUMN COVERS MUST BE INSTALLED IN SUCH A MANNER AS TO BE CONTINUOUS FROM COVER TO COVER WITH NO GAPS OR JOINTS. SQUARE COLUMN COVERS MUST BE INSTALLED IN SUCH A MANNER AS TO BE CONTINUOUS FROM COVER TO COVER WITH NO GAPS OR JOINTS.
 2. ALL COLUMN COVERS TO BE 4" HIGH EXCEPT TO PROVIDE 2" FOR COLOR AND FINISH.
 3. ALL COVER HINGE BOLTS INSTALLED BY CONTRACTOR TO CAULK AROUND TOP AND BOTTOM OF COVER WITH CLEAN PAINTABLE SILICONE CAULK TO BEAPPLIED TO FACE.
 4. HINGE BOLTS ON THE COLUMN COVERS ARE FROM THE MANUFACTURER'S USER FOR PAINTING PURPOSES. COLUMN COVERS SHOULD BE INSTALLED WITH THE HINGE BOLTS POINTING TOWARD THE FLOOR.

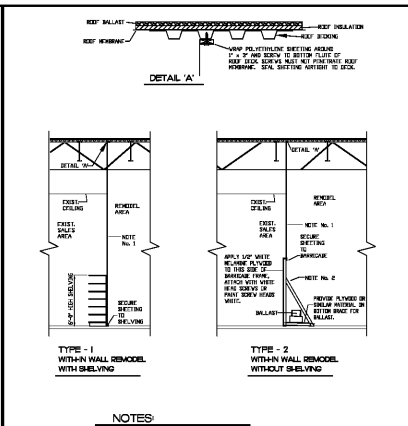
PREFABRICATED COLUMN COVERS
 MASTER SPECIFICATION DETAIL
 DATE: 11/2/13
 SCALE: NONE
 DRAWN: ZAV
 ASD-157



REFRIGERATED CASE CORNER GUARD

- NOTES:**
1. DESIGNED FOR USE WITH ISLAND REFRIGERATED CASES WITH STRAIGHT FRONTED IN DISPLAY, MEAT, SEAFOOD AND BULK DEPARTMENTS CASE CORNER GUARDS REFER TO SECTION 13 41 13 PARAGRAPH 5.3 GENERAL STORE FIXTURE INSTALLATION AND SPECIFICATIONS REFER TO FIXTURE PLAN FOR QUANTITY AND LOCATION.
 2. CASE CORNER GUARD TO BE INSTALLED AFTER CASE HAS BEEN SET. INSTALL CASE GUARD AND FLANGE EXTENSION AS CLOSE TO CASE AS POSSIBLE PER MANUFACTURER'S INSTALLATION INSTRUCTIONS.
 3. MAXIMUM 1" PER MANUFACTURER'S INSTALLATION INSTRUCTIONS.
 4. FOR CASES WITH SHALLOU (SEE SECTION 11) MAY BE NECESSARY TO FIELD CUT FLANGES FOR PROPER POSITIONING OF GUARD.

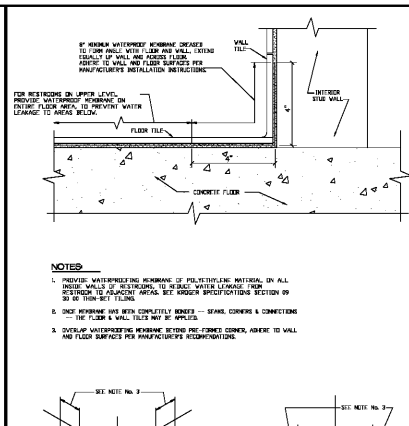
REFRIGERATED CASE CORNER GUARD
 MASTER SPECIFICATION DETAIL
 DATE: 6/3/13
 SCALE: NONE
 DRAWN: ZAV
 ASD-160



TEMPORARY CONSTRUCTION BARRIERS

- NOTES:**
1. 2" ALL METALWORK SETTING SHALL BE 100% GALV. OR HEAVY DUTY BLACK STEEL. GALV. SHALL BE 100% GALV. OR HEAVY DUTY BLACK STEEL. GALV. SHALL BE 100% GALV. OR HEAVY DUTY BLACK STEEL. GALV. SHALL BE 100% GALV. OR HEAVY DUTY BLACK STEEL.
 2. IF A 4" WIDE BRACKET IS REQUIRED PER MANUFACTURER'S INSTALLATION INSTRUCTIONS, BRACKET SHALL BE 100% GALV. OR HEAVY DUTY BLACK STEEL. GALV. SHALL BE 100% GALV. OR HEAVY DUTY BLACK STEEL.
 3. SEE SECTION 11 FOR DETAILS OF BRACKET ATTACHMENT TO WALL. BRACKET SHALL BE 100% GALV. OR HEAVY DUTY BLACK STEEL. GALV. SHALL BE 100% GALV. OR HEAVY DUTY BLACK STEEL.

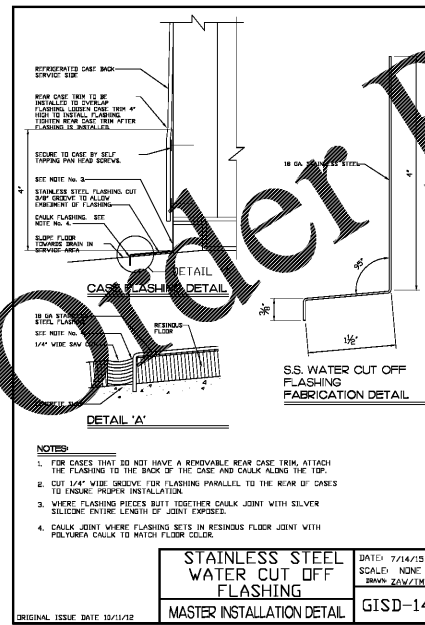
TEMPORARY CONSTRUCTION BARRIERS
 MASTER SPECIFICATION DETAIL
 DATE: 06-01-07
 SCALE: NONE
 DRAWN: ZAV
 ASD-162A



WATERPROOFING MEMBRANE FOR RESTROOMS

- NOTES:**
1. PROVIDE WATERPROOFING MEMBRANE OF POLYETHYLENE MATERIAL ON ALL INTERIOR WALLS OF RESTROOMS TO BE BUILT WITH CONCRETE FLOOR. PROVIDE WATERPROOFING MEMBRANE ON ALL INTERIOR WALLS OF RESTROOMS TO BE BUILT WITH CONCRETE FLOOR. PROVIDE WATERPROOFING MEMBRANE ON ALL INTERIOR WALLS OF RESTROOMS TO BE BUILT WITH CONCRETE FLOOR.
 2. OVERLAP WATERPROOFING MEMBRANE BETWEEN JOINTS, CORNERS & CONNECTIONS TO FLOOR & WALL SHALL BE 6" MIN.
 3. OVERLAP WATERPROOFING MEMBRANE BETWEEN JOINTS, CORNERS & CONNECTIONS TO WALL & FLOOR SURFACES PER MANUFACTURER'S INSTALLATION INSTRUCTIONS.

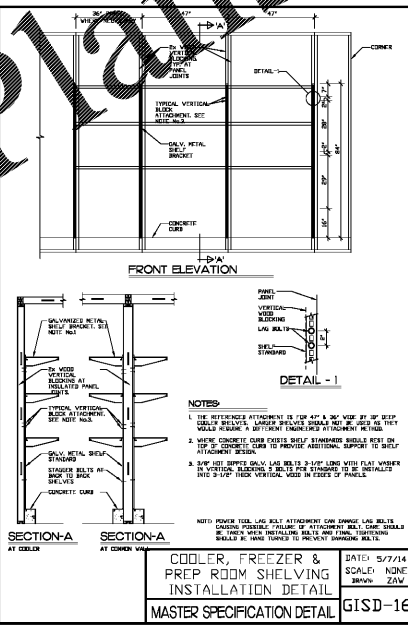
WATERPROOFING MEMBRANE FOR RESTROOMS
 MASTER SPECIFICATION DETAIL
 DATE: 06/07/13
 SCALE: NONE
 DRAWN: ZAV
 ASD-161



STAINLESS STEEL WATER CUT OFF FLASHING

- NOTES:**
1. FOR CASES THAT DO NOT HAVE A REMOVABLE REAR CASE TRIM, ATTACH THE FLASHING TO THE BACK OF THE CASE AND CAULK ALONG THE TOP.
 2. CUT 1/4" WIDE GROOVE FOR FLASHING PARALLEL TO THE REAR OF CASES TO ENSURE PROPER INSTALLATION.
 3. WHERE FLASHING PIECES BUTT TOGETHER CAULK JOINT WITH SILVER SILICONE CAULK. CAULK JOINT WITH SILVER SILICONE CAULK. CAULK JOINT WITH SILVER SILICONE CAULK.
 4. CAULK JOINT WHERE FLASHING SETS IN RESINOUS FLOOR JOINT WITH POLYUREA CAULK TO MATCH FLOOR COILER.

STAINLESS STEEL WATER CUT OFF FLASHING
 MASTER INSTALLATION DETAIL
 DATE: 7/14/13
 SCALE: NONE
 DRAWN: ZAV/TM
 GISD-14



COOLER, FREEZER & PREP ROOM SHELVING INSTALLATION DETAIL

- NOTES:**
1. THE REFERENCE ATTACHMENT IS FOR 4" x 4" x 1/2" WIPER. REFER TO SECTION 11 FOR DETAILS OF WIPER ATTACHMENT TO WALL. REFER TO SECTION 11 FOR DETAILS OF WIPER ATTACHMENT TO WALL.
 2. WHERE CONCRETE CURS EXIST, SELF-HEALING BULBS SHALL BE USED TO ATTACH WIPERS TO WALLS.
 3. WIPER AND WIPER BOLTS USE 304 SS 1/2" DIA. WIPER BOLTS SHALL BE 304 SS 1/2" DIA. WIPER BOLTS SHALL BE 304 SS 1/2" DIA.

COOLER, FREEZER & PREP ROOM SHELVING INSTALLATION DETAIL
 MASTER SPECIFICATION DETAIL
 DATE: 5/27/14
 SCALE: NONE
 DRAWN: ZAV
 GISD-16A

www.LDILine.com