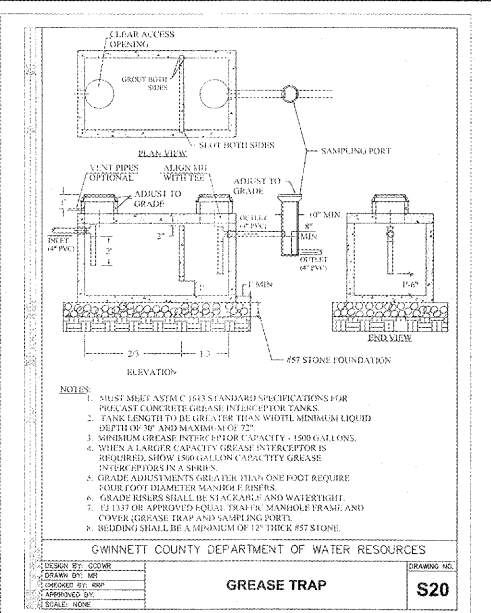
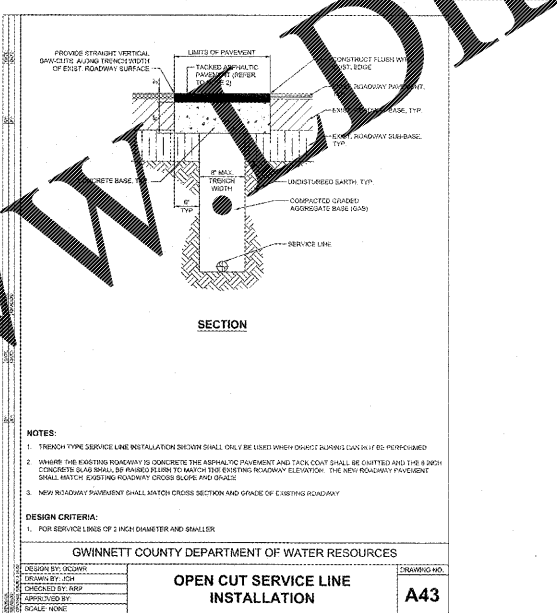
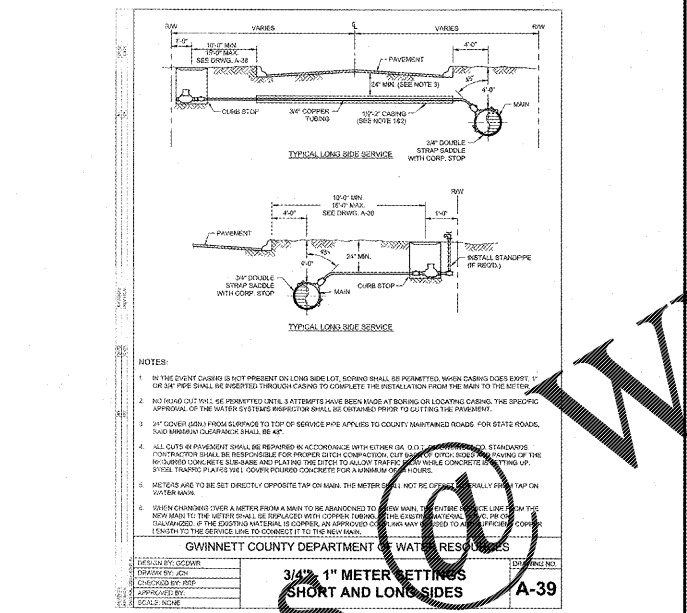
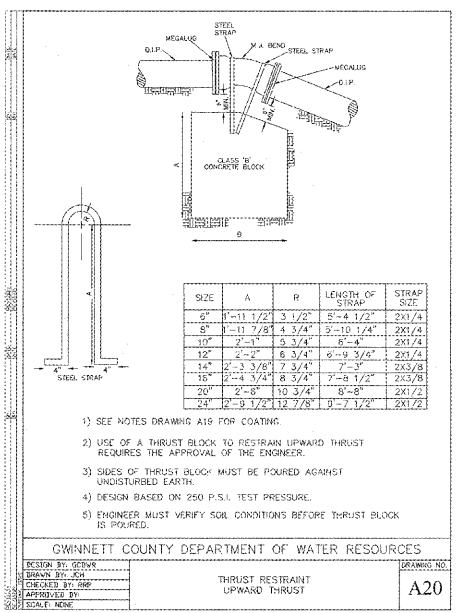


GWINNETT COUNTY MANHOLE CASTING - NON TRAFFIC AREAS
NOT TO SCALE

GWINNETT COUNTY ALLOWABLE TRENCH WIDTHS
NOT TO SCALE

GWINNETT COUNTY TYPICAL SLEEVE AND VALVE INSTALLATION
NOT TO SCALE

GC THRUST RESTRAINT HORIZONTAL THRUST
NOT TO SCALE



GWINNETT COUNTY THRUST RESTRAINT UPWARD THRUST
NOT TO SCALE

GWINNETT COUNTY METER SETTING SHORT AND LONG SIDES
NOT TO SCALE

GWINNETT COUNTY OPEN CUT SERVICE LINE INSTALLATION
NOT TO SCALE

GWINNETT COUNTY GREASE TRAP
NOT TO SCALE

CLIENT
CHRISTIAN BROTHERS AUTOMOTIVE
17725 KATY FREEWAY - SUITE 200 - HOUSTON, TX 77094

PROJECT
CHRISTIAN BROTHERS AUTOMOTIVE - NORCROSS
5650 PEACHTREE INDUSTRIAL BLVD
LAND LOT 272, DISTRICT 6, PARCEL 6272 327
NORCROSS, GWINNETT COUNTY, GA

SEAL:

FOR INFORMATIONAL PURPOSES ONLY

DESIGN TEAM:
DRAWN BY: TDD
DESIGNED BY: TDD
REVIEWED BY: MSL

811
Know what's below.
Call before you dig.

DETAILS ARE NOT DRAWN TO SCALE

JOB #: 186005
DATE: 08/19/2018
CONSTRUCTION DETAILS - 5
C-7.4

Drawing name: L186005 - Christian Brothers Automotive - Norcross, GWINNETT COUNTY, GA - CONSTRUCTION DETAILS - 5 - Nov 28, 2018 2:40pm By: thomas.dolan